

Programming Manual

BTS Master™

MT8221B, MT8222B

The High Performance Base Station Analyzer

The Anritsu logo is located in the bottom right corner of the page. It consists of the word "Anritsu" in a bold, sans-serif font. The letter "A" is stylized with a diagonal slash through it.

Table of Contents

Chapter 1—General Information

1-1	About this Manual	1-1
1-2	Contacting Anritsu	1-1
1-3	Introduction	1-1
1-4	Remote Programming Setup and Interface	1-1
	Ethernet Interface Connection and Setup	1-1
	USB Interface Connection and Setup	1-3
1-5	Sending SCPI Commands	1-6

Chapter 2—Programming with SCPI

2-1	Introduction	2-1
2-2	Introduction to SCPI Programming	2-1
	SCPI Common Commands	2-1
	SCPI Required Commands	2-2
	SCPI Optional Commands	2-2
2-3	Subsystem Commands	2-3
	Command Names	2-3
	Hierarchical Command Structure	2-4
	Query Commands	2-5
	Identifiers	2-5
	Data Parameters	2-6
	Data Parameter Notations	2-6
	Unit Suffixes	2-6
2-4	Notational Conventions	2-7
2-5	Notational Examples	2-8
	Command Terminators	2-8
2-6	Formatting Conventions	2-9
2-7	Parameter Names	2-10
	Spectrum Analyzer Parameter Names	2-10
	Cable & Antenna Parameter Names	2-14
	GSM Parameter Names	2-21
	WiMAX, Mobile WiMAX Parameter Names	2-22
	WCDMA Parameter Names	2-24
	CDMA Parameter Names	2-26
	EVDO Parameter Names	2-28
	TDSCDMA Parameter Names	2-30

Chapter 3—All Mode Commands

3-1	:INSTrument Subsystem	3-1
3-2	:MMEMory Subsystem	3-2
3-3	:STATus Subsystem	3-7
3-4	:SYSTem Subsystem	3-8

Table of Contents (Continued)

Chapter 4—Cable & Antenna Commands

4-1	:CALCulate Subsystem	4-1
4-2	:CALibration Subsystem	4-10
4-3	:CONFigure Subsystem	4-11
4-4	:DISPlay Subsystem	4-12
4-5	:FORMat Subsystem.	4-15
	Interpreting Returned Data Pair.	4-16
4-6	:INITiate Subsystem	4-18
4-7	:SOURce Subsystem	4-20
4-8	:TRACe Subsystem	4-21
4-9	[:SENSe] Subsystem	4-22

Chapter 5—Spectrum Analyzer Commands

5-1	:ABORt Subsystem.	5-1
5-2	:CALCulate Subsystem.	5-2
5-3	:CONFigure Subsystem	5-17
5-4	:DISPlay Subsystem	5-19
5-5	:FETCh Subsystem.	5-20
5-6	:FORMat Subsystem.	5-22
5-7	:INITiate Subsystem	5-23
5-8	:MEASure Subsystem.	5-24
5-9	:MMEMory Subsystem	5-27
5-10	:READ Subsystem	5-28
5-11	:TRACe Subsystem	5-30
5-12	:TRIGger Subsystem	5-35
5-13	:UNIT Subsystem	5-37
5-14	[:SENSe] Subsystem	5-38

Chapter 6—VSG Commands

6-1	[:SENSe] Subsystem	6-1
-----	------------------------------	-----

Chapter 7—GSM Commands

7-1	:ABORt Subsystem.	7-1
7-2	:CONFigure Subsystem	7-2
7-3	:DISPlay Subsystem	7-5
7-4	:FETCh Subsystem.	7-6
7-5	:FORMat Subsystem.	7-8
7-6	:INITiate Subsystem	7-9
7-7	:MEASure Subsystem.	7-10
7-8	:READ Subsystem	7-13
7-9	:TRACe Subsystem	7-16
7-10	[:SENSe] Subsystem	7-17

Table of Contents (Continued)

Chapter 8—WCDMA Commands

8-1	:ABORt Subsystem.	8-1
8-2	:CALCulate Subsystem.	8-2
8-3	:CONFIgure Subsystem	8-3
8-4	:DISPLay Subsystem.	8-5
8-5	:FETCh Subsystem.	8-6
8-6	:FORMat Subsystem	8-14
8-7	:INITiate Subsystem	8-15
8-8	:MEASure Subsystem.	8-16
8-9	:READ Subsystem	8-26
8-10	:TRACe Subsystem	8-34
8-11	[:SENSE] Subsystem	8-35

Chapter 9—TDSCDMA Commands

9-1	:ABORt Subsystem.	9-1
9-2	:CONFIgure Subsystem	9-2
9-3	:DISPLay Subsystem.	9-4
9-4	:FETCh Subsystem.	9-5
9-5	:FORMat Subsystem	9-7
9-6	:INITiate Subsystem	9-8
9-7	:MEASure Subsystem.	9-9
9-8	:READ Subsystem	9-13
9-9	:TRACe Subsystem	9-17
9-10	:TRIGger Subsystem	9-19
9-11	:UNIT Subsystem	9-20
9-12	[:SENSE] Subsystem	9-21

Chapter 10—CDMA Commands

10-1	:ABORt Subsystem.	10-1
10-2	:CALCulate Subsystem.	10-2
10-3	:CONFIgure Subsystem	10-3
10-4	:DISPLay Subsystem.	10-5
10-5	:FETCh Subsystem.	10-6
10-6	:FORMat Subsystem	10-9
10-7	:INITiate Subsystem	10-10
10-8	:MEASure Subsystem.	10-11
10-9	:READ Subsystem	10-15
10-10	:TRACe Subsystem	10-18
10-11	:TRIGger Subsystem	10-20
10-12	:UNIT Subsystem	10-21
10-13	[:SENSE] Subsystem	10-22

Table of Contents (Continued)

Chapter 11—EVDO Commands

11-1	:ABORt Subsystem	11-1
11-2	:CALCulate Subsystem	11-2
11-3	:CONFigure Subsystem	11-3
11-4	:DISPlay Subsystem	11-5
11-5	:FETCh Subsystem	11-6
11-6	:FORMat Subsystem	11-9
11-7	:INITiate Subsystem	11-10
11-8	:MEASure Subsystem	11-11
11-9	:READ Subsystem	11-16
11-10	:TRACe Subsystem	11-19
11-11	:TRIGger Subsystem	11-22
11-12	:UNIT Subsystem	11-23
11-13	[:SENSe] Subsystem	11-24

Chapter 12—Fixed WiMAX Commands

12-1	:ABORt Subsystem	12-1
12-2	:CONFigure Subsystem	12-2
12-3	:DISPlay Subsystem	12-4
12-4	:FETCh Subsystem	12-6
12-5	:FORMat Subsystem	12-9
12-6	:INITiate Subsystem	12-10
12-7	:MEASure Subsystem	12-11
12-8	:READ Subsystem	12-15
12-9	:TRACe Subsystem	12-18
12-10	[:SENSe] Subsystem	12-19

Chapter 13—Mobile WiMAX Commands

13-1	:ABORt Subsystem	13-1
13-2	:CONFigure Subsystem	13-2
13-3	:DISPlay Subsystem	13-4
13-4	:FETCh Subsystem	13-6
13-5	:FORMat Subsystem	13-9
13-6	:INITiate Subsystem	13-10
13-7	:MEASure Subsystem	13-11
13-8	:READ Subsystem	13-15
13-9	:TRACe Subsystem	13-18
13-10	[:SENSe] Subsystem	13-19

Table of Contents (Continued)

Chapter 14—LTE Commands

14-1	:ABORt Subsystem	14-1
14-2	:CALCulate Subsystem	14-2
14-3	:CONFIgure Subsystem	14-5
14-4	:DISPly Subsystem	14-7
14-5	:FETCh Subsystem	14-8
14-6	:FORMat Subsystem	14-11
14-7	:INITiate Subsystem	14-12
14-8	:MEASure Subsystem	14-13
14-9	:READ Subsystem	14-16
14-10	:UNIT Subsystem	14-19
14-11	[:SENSE] Subsystem	14-20

Chapter 15—TD-LTE Commands

15-1	:ABORt Subsystem	15-1
15-2	:CALCulate Subsystem	15-2
15-3	:CONFIgure Subsystem	15-6
15-4	:DISPly Subsystem	15-9
15-5	:FETCh Subsystem	15-10
15-6	:FORMat Subsystem	15-13
15-7	:INITiate Subsystem	15-14
15-8	:MEASure Subsystem	15-15
15-9	:READ Subsystem	15-18
15-10	:TRIGger Subsystem	15-21
15-11	:UNIT Subsystem	15-22
15-12	[:SENSE] Subsystem	15-23

Appendix A—Programming Example

A-1	C/C++	A-1
A-2	Visual Basic	A-3
A-3	LabVIEW™	A-4

Appendix B—IQ Waveform Capture

B-1	MATLAB Script (getdata_simple_24.m)	B-1
B-2	C++ Code (IQ_SCPI.cpp)	B-3

Appendix C—List of Commands by Mode

Chapter 1 — General Information

1-1 About this Manual

This SCPI Programming Manual provides information for remote operation of the BTS Master MT822xB High Performance Base Station Analyzer using commands sent from an external controller via Ethernet or USB connection. This Programming Manual includes the following:

- An overview of Ethernet and USB connection to the BTS Master.
- An overview of Standard Commands for Programmable Instruments (SCPI) command structure and conventions.
- The IEEE common commands that are supported by the MT822xB.
- A complete listing and description of all the SCPI commands that can be used to remotely control functions of the BTS Master. The commands are organized by instrument mode starting in Chapter 4.

This manual is intended to be used in conjunction with the BTS Master MT822xB High Performance Base Station Analyzer User Manual, P/N: 105800-00207. Refer to that manual for general information about the MT822xB, including equipment set up and operating instructions.

1-2 Contacting Anritsu

To contact Anritsu, please visit:

<http://www.anritsu.com/contact.asp>

From here, you can select the latest sales, select service and support contact information in your country or region, provide online feedback, complete a “Talk to Anritsu” form to have your questions answered, or obtain other services offered by Anritsu.

Updated product information can be found on the Anritsu web site:

<http://www.anritsu.com/>

Search for the product model number. The latest documentation is on the product page under the Library tab.

1-3 Introduction

This chapter provides a general description of remote programming setup, interface connections using Ethernet or USB, and cable requirements.

1-4 Remote Programming Setup and Interface

Remote programming and operation of the BTS Master is accessed via the Ethernet or the USB interface. The following paragraphs provide information about the interface connections, cable requirements, and setting up remote operation.

Ethernet Interface Connection and Setup

The MT822xB fully supports the IEEE-802.3 standard. Most MT822xB functions (except power on/off) can be controlled via an Ethernet connection to a PC connected directly (with an Ethernet cross-over cable) or through a network. The MT822xB software supports the TCP/IP network protocol.

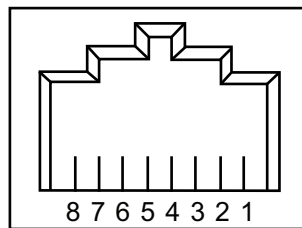
Ethernet networking uses a bus or star topology where all of the interfacing devices are connected to a central cable called the bus, or are connected to a hub. Ethernet uses the CSMA/CD access method to handle simultaneous transmissions over the bus. CSMA/CD stands for *Carrier Sense Multiple Access/Collision Detection*. This standard enables network devices to detect simultaneous data channel usage, called a *collision*, and provides for a contention protocol. When a network device detects a collision, the CSMA/CD standard dictates that the data is retransmitted after waiting a random amount of time. If a second collision is detected, the data is again retransmitted after waiting twice as long. This is known as exponential back off.

The TCP/IP setup requires the following:

- **IP Address:** Every computer/electronic device in a TCP/IP network requires an IP address. An IP address has four numbers (each between 0 and 255) separated by periods. For example: 128.111.122.42 is a valid IP address.
- **Subnet Mask:** The subnet mask distinguishes the portion of the IP address that is the network ID from the portion that is the station ID. The subnet mask 255.255.0.0, when applied to the IP address given above, would identify the network ID as 128.111 and the station ID as 122.42. All stations in the same local area network should have the same network ID, but different station IDs.
- **Default Gateway:** A TCP/IP network can have a gateway to communicate beyond the LAN identified by the network ID. A gateway is a computer or electronic device that is connected to two different networks and can move TCP/IP data from one network to the other. A single LAN that is not connected to other LANs requires a default gateway setting of 0.0.0.0. If you have a gateway, then the default gateway would be set to the appropriate value of your gateway
- **Ethernet Address:** An Ethernet address is a unique 48-bit value that identifies a network interface card to the rest of the network. Every network card has a unique ethernet address (MAC address) permanently stored into its memory.

Interface between the BTS Master and other devices on the network is via a category five (CAT-5) interface cable connected to a network. This cable uses four twisted pairs of insulated copper wires terminated into an RJ45 connector. CAT-5 cabling is capable of supporting frequencies up to 100 MHz and data transfer speeds up to 1 Gbps, which accommodates 1000Base-T, 100Base-T, and 10Base-T networks. CAT-5 cables are based on the EIA/TIA 568 Commercial Building Telecommunications Wiring Standard developed by the Electronics Industries Association. A pinout diagram is shown in [Table 1-1](#).

Table 1-1. 8-pin Ethernet RJ45 Connector Pinout Diagram



Pin	Name	Description	Wire Color
1	TX+	Transmit data (> +3 volts)	White/Orange
2	TX-	Transmit data (< -3 volts)	Orange
3	RX+	Receive data (> +3 volts)	White/Green
4	-	Not used (common mode termination)	Blue
5	-	Not used (common mode termination)	White/Blue
6	RX-	Receive data (< -3 volts)	Green
7	-	Not used (common mode termination)	White/Brown
8	-	Not used (common mode termination)	Brown

TCP/IP connectivity requires setting up the parameters described at the beginning of this section. The following is a brief overview of how to set up a general LAN connection on the MT822xB.

Note You may need to consult your network documentation or network administrator for assistance in configuring your network setup.

BTS Master LAN Connections

The RJ-45 connector is used to connect the BTS Master to a local area network. Integrated into this connector are two LEDs. The amber LED indicates the presence of LAN voltages (a live LAN connection) while the green LED flashes to show that LAN traffic is present. The instrument IP address is set by pressing the **Shift** key, then the **System** (8) key followed by the **System Options** soft key and the **Ethernet Config** soft key. The instrument IP address can be set automatically using DHCP, or manually by entering the desired IP address, gateway address and subnet mask.

Note An active Ethernet cable must be connected to the MT822xB before it is turned ON in order to enable the Ethernet port for DHCP or for a static IP address.

Depending upon local conditions, the port may remain enabled when changing from DHCP to static IP address, when changing from static IP address to DHCP, or when temporarily disconnecting the Ethernet cable.

If the port becomes disabled, ensure that an active Ethernet cable is attached to the MT822xB and then cycle the power OFF and back ON.

Dynamic Host Configuration Protocol (DHCP) is an Internet protocol that automates the process of setting IP addresses for devices that use TCP/IP, and is the most common method of configuring a device for network use. To determine if a network is set up for DHCP, connect the MT822xB to the network and select DHCP protocol in the Ethernet Config menu.

Power cycle the BTS Master. If the network is set up for DHCP, then the assigned IP address should be displayed briefly after the power-up sequence.

To display the IP address of the instrument on, press the **Shift** key, then the **System** (8) key, then the **System Options** soft key and the **Ethernet Config** soft key.

USB Interface Connection and Setup

Note Install Master Software Tools (MST) on the PC prior to connecting the BTS Master. MST provides the installation tool to install the USB and VISA drivers.

The Universal Serial Bus (USB) architecture is a high-performance networking standard that is considered “plug and play” compatible. The USB driver software is automatically detected and configured by the operating system of the devices that are connected to the bus. The MT822xB conforms to the USB 2.0 standard and is a USB “full-speed” device that supports data rates of up to 10 Mbps with the following restrictions:

- One USB network can support up to 127 devices
- The maximum length of USB cables between active devices is 5 meters (for USB 2.0) and 3 meters (for USB 1.0)

To run the following example, you must have NI-VISA 2.5 or later installed on the controller PC and you must select the VISA library (visa32.dll) as a reference in a Visual Basic project. For remote USB control, the controlling PC needs to have a version of VISA installed that supports USBTMC (USB Test and Measurement Class) devices.

1. Power on the MT822xB and controller PC and wait for the systems to power up completely.
2. Connect the USB cable mini-B connector to the MT822xB.

3. Connect the USB cable A connector to the controller PC USB host port. The controller PC should indicate “New Hardware Found” if the combination of USB VID/PID/Serial Number has never been connected to this controller PC.



Figure 1-1. USB Found New Hardware Wizard

4. Select to allow the Wizard to search for and install the USB software automatically.

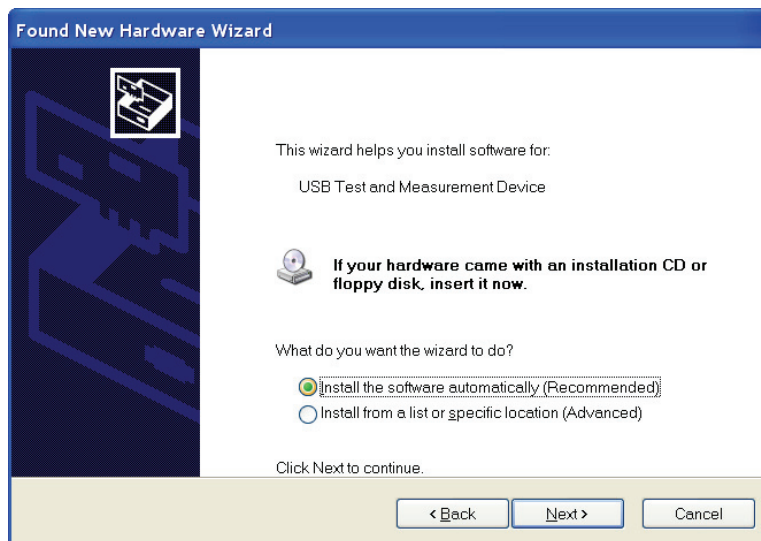


Figure 1-2. USB Found New Hardware Wizard

5. After the software installs, close the Wizard by clicking Finish.

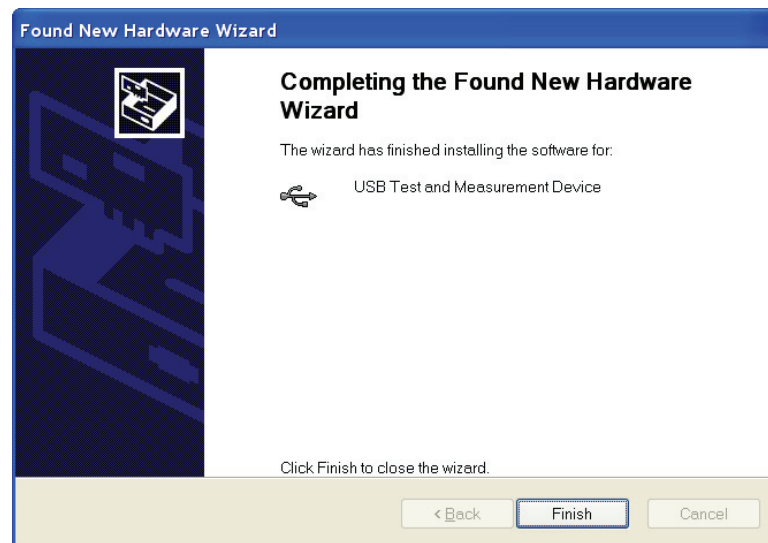


Figure 1-3. USB Found New Hardware Wizard

USB Interface, Type Mini-B

The USB 2.0 Mini-B device connector can be used to connect the MT822xB directly to a PC. The first time the MT822xB is connected to a PC, the normal USB device detection by the computer operating system takes place. The CD-ROM that is shipped with the instrument contains a driver for Windows 2000, Windows XP and Windows Vista. The driver is installed when Master Software Tools is installed. Drivers are not available for earlier versions of the Windows operating system. During the driver installation process, place the CD-ROM in the computer drive and specify that the installation wizard should search the CD-ROM for the driver.

1-5 Sending SCPI Commands

SCPI commands can be sent to the BTS Master through any Virtual Instrument Software Architecture (VISA) controller. VISA is a commonly used API in the Test and Measurement industry for communicating with instruments from a PC. The physical connection between the PC and the BTS Master can be Ethernet or USB. NI-VISA is the National Instruments implementation of the VISA I/O standard. Information and downloads are available at <http://www.ni.com/visa/>.

The following example describes the verification that a VISA controller can see the BTS Master.

Note The images shown and instruction for your instrument and software may differ from the examples.

1. On the PC, run VISA Interactive Control and double-click on the BTS Master.

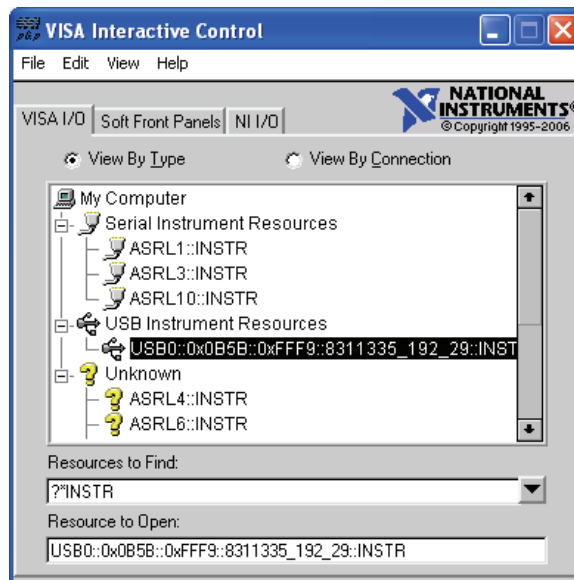


Figure 1-4. VISA Interactive Control

2. Select the viWrite tab and execute the default *IDN? write by clicking the Execute button.

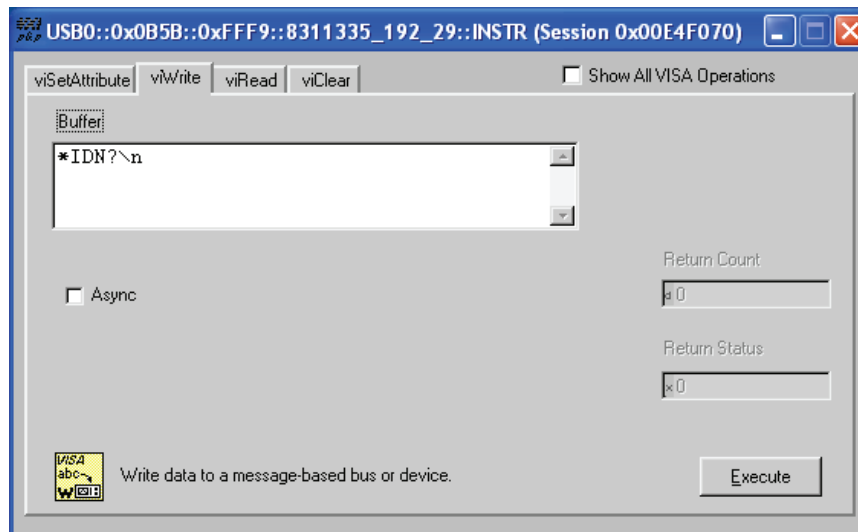


Figure 1-5. VISA Interactive Control viWrite Tab

3. Select the viRead tab and click the Execute button. If the PC is connected to the MT822xB the command returns the following information from the Buffer: manufacturer name (“Anritsu”), model number/options, serial number, and firmware package number.

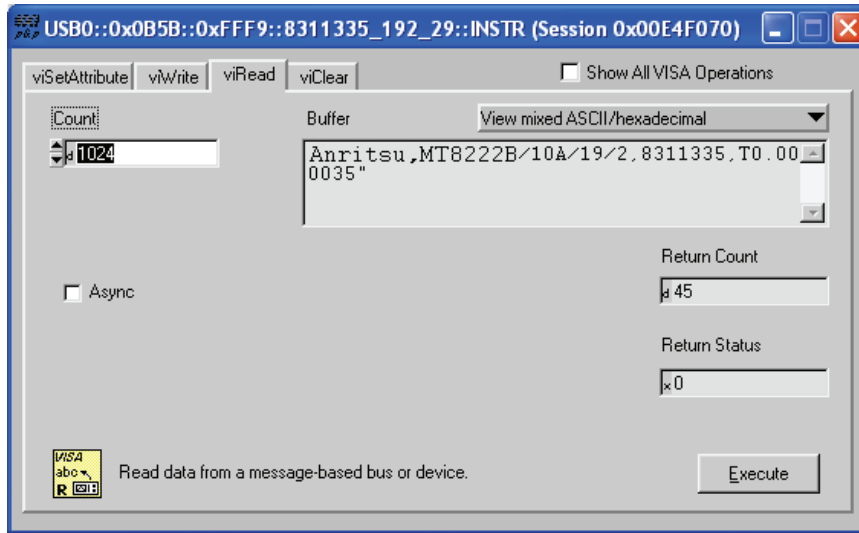


Figure 1-6. VISA Interactive Control viRead Tab

Chapter 2 — Programming with SCPI

2-1 Introduction

This chapter provides an introduction to SCPI programming that includes descriptions of the command types, hierarchical command structure, command subsystems, data parameters and notational conventions.

2-2 Introduction to SCPI Programming

The Standard Commands for Programmable Instruments (SCPI) defines a set of standard programming commands for use by all SCPI compatible instruments. SCPI is intended to give the user a consistent environment for program development. It does so by defining controller messages, instrument responses, and message formats for all SCPI compatible instruments. SCPI commands are messages to the instrument to perform specific tasks. The MT822xB command set includes:

- “SCPI Common Commands” on page 2-1
- “SCPI Required Commands” on page 2-2
- “SCPI Optional Commands” on page 2-2

Note This instrument follows the SCPI standard but is not fully compliant with the standard.

SCPI Common Commands

Some common commands are defined in the IEEE-488.2 standard and must be implemented by all SCPI compatible instruments. These commands are identified by the asterisk (*) at the beginning of the command keyword. These commands are defined to control instrument status registers, status reporting, synchronization, and other common functions. The common commands supported by the BTS Master are shown below.

*IDN?

Title: Identification Query

Description: This command returns the following information in <string> format separated by commas: manufacturer name (“Anritsu”), model number/options, serial number, firmware package number. The model number and options are separated by a “/” and each option is separated by a “/”.

For example, the return string might look like:

```
“Anritsu,MT822xB/3/2,62011032,1.23”
```

*RST

Title: Reset

Description: This command restores parameters in the current application as well as system settings to their factory default values.

System settings affected by this command are Ethernet configuration, language, volume and brightness. Note that the unit will power-cycle after this command is executed.

After executing this command communication will be lost. Wait a minimum of 60 seconds before re-establishing communication.

Front Panel Access: Shift-8 (System), System Options, Reset, Factory Defaults

Related Command: :SYSTem:PRESet

SCPI Required Commands

The required SCPI commands supported by the MT822xB are listed in the [Table 2-1](#). These command work in all measurement modes and are described in [Chapter 3 on page 3-1](#).

Table 2-1. SCPI Required Commands

:STATus
:SYSTem

SCPI Optional Commands

[Table 2-2](#) lists the optional SCPI commands that comprise the majority of the command set described in this document. These commands control most of the programmable functions of the MT822xB.

Table 2-2. SCPI Optional Commands

:ABORt	:FETCh	:MEASure	:TRACe
:CALCulate	:FORMat	:MMEMory	:TRIGger
:CALibration	:INITiate	:READ	:UNIT
:CONFigure	:INPut	:SENSe	: [SENSe]
:DISPlay	:INSTrument	:SOURce	

The SCPI optional commands are sorted by measurement modes and commands may be repeated in more than one mode.

- [Chapter 3, “All Mode Commands”](#)
- [Chapter 4, “Cable & Antenna Commands”](#)
- [Chapter 5, “Spectrum Analyzer Commands”](#)
- [Chapter 6, “VSG Commands”](#)
- [Chapter 7, “GSM Commands”](#)
- [Chapter 8, “WCDMA Commands”](#)
- [Chapter 9, “TDSCDMA Commands”](#)
- [Chapter 10, “CDMA Commands”](#)
- [Chapter 11, “EVDO Commands”](#)
- [Chapter 12, “Fixed WiMAX Commands”](#)
- [Chapter 13, “Mobile WiMAX Commands”](#)
- [Chapter 14, “LTE Commands”](#)
- [Chapter 15, “TD-LTE Commands”](#)

2-3 Subsystem Commands

Subsystem commands control all instrument functions and some general purpose functions. All subsystem commands are identified by the colon used between keywords, as in `:INITiate:CONTinuous`.

The following information is provided for each subsystem command described in the following chapters.

- The command name, see “Command Names” on page 2-3.
- The path from the subsystem root command, see “Hierarchical Command Structure” on page 2-4.
- The query form of the command (if applicable), see “Query Commands” on page 2-5.
- The command title
- A description of the purpose of the command.
- The data parameters used as arguments for the command, see “Data Parameters” on page 2-6. This may include the parameter type and the available parameter choices.

Command Names

Typical SCPI commands consist of one or more keywords, parameters, and punctuation. SCPI command keywords can be a mixture of upper and lower case characters. Except for common commands, each keyword has a long and a short form. In this manual, the long form is presented with the short form in upper case and the remainder in lower case. For example, the long form of the command keyword to control the instrument display is `:DISPlay`.

The short form keyword is usually the first four characters of the long form (example: `DISP` for `DISPlay`). The exception to this is when the long form is longer than four characters and the fourth character is a vowel. In such cases, the vowel is dropped and the short form becomes the first three characters of the long form.

Example: the short form of the keyword `:POWer` is `:POW`.

Some command keywords may have a numeric suffix to differentiate between multiple instrument features such as multiple trace options. For example; keywords `:TRACe[:DATA]{1|2|3}`, `:TRACe1`, or `:TRACe3`.

Note	In the previous paragraph, <code>:TRACe</code> is identical to <code>:TRACe1</code> . If a numeric suffix it not included in a command, the first option is implied. Curly brackets <code>{ }</code> designate optional keyword parameters. Square brackets <code>[]</code> designate optional command keywords.
-------------	---

As with any programming language, the exact command keywords and command syntax must be used. The syntax of the individual commands is described in detail in the programming command chapters.

Unrecognized versions of long form or short form commands, or improper syntax, will generate an error.

Long Format vs. Short Format

Each keyword has a long format and a short format. The start frequency can be specified by `:SENSe:FREQuency:STARt` or `:SENS:FREQ:STAR`. The capital letters in the command specification indicate the short form of the command. A mixture of the entire short form elements with entire long form elements of each command is acceptable. For example, `:SENS:FREQuency:STAR` is an acceptable form of the command. However, `:SENS:FREQuen:STA` is not an acceptable form of the command because `:FREQuen` is not the entire short or long form of the command element.

Hierarchical Command Structure

All SCPI commands, except the common commands, are organized in a hierarchical structure similar to the inverted tree file structure used in most computers. The SCPI standard refers to this structure as “the Command Tree.” The command keywords that correspond to the major instrument control functions are located at the top of the command tree. The root command keywords for the MT822xB SCPI command set are shown in Figure 2-1.

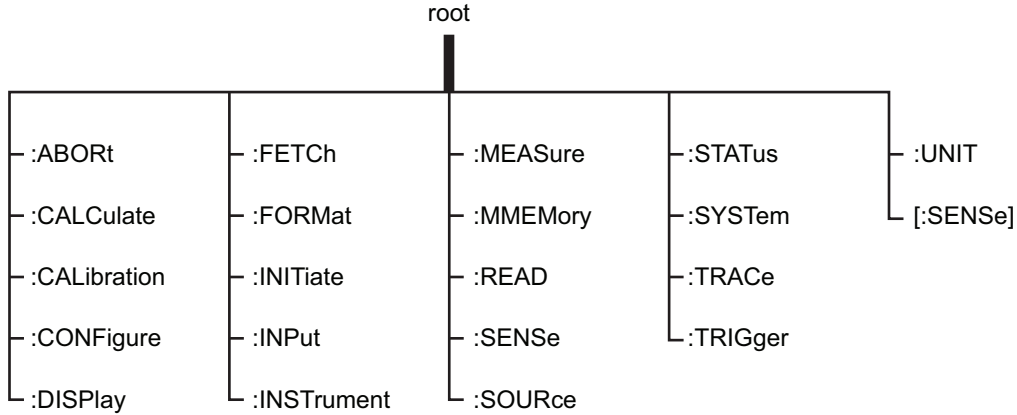


Figure 2-1. SCPI Command Tree

All MT822xB SCPI commands, except the :ABORt command, have one or more subcommands (keywords) associated with them to further define the instrument function to be controlled. The subcommand keywords may also have one or more associated subcommands (keywords). Each subcommand level adds another layer to the command tree. The command keyword and its associated subcommand keywords form a portion of the command tree called a command subsystem. The :CONFIgure command subsystem is shown in Figure 2-2.

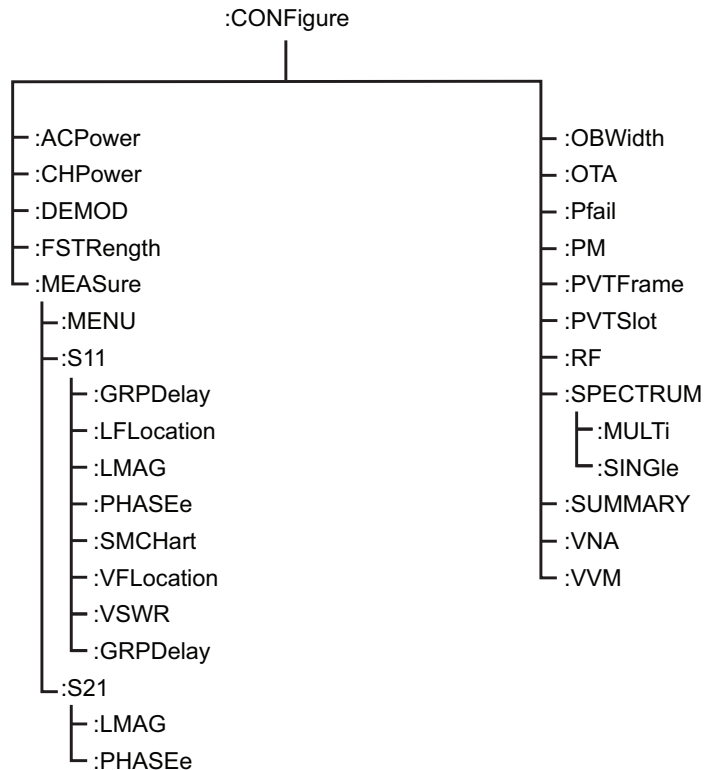


Figure 2-2. SCPI :CONFIgure Subsystem

A colon (:) separates each subsystem. For example, the command `:SENSe:FREQuency:START <freq>` sets the start frequency. The start frequency is part of the `:FREQuency` subsystem which is part of the `:SENSe` subsystem. Stop frequency is also part of the `:SENSe:FREQuency` subsystem. It is specified by `:SENSe:FREQuency:STOP`.

Query Commands

All commands, unless specifically noted in the commands syntax descriptions, have a query form. As defined in IEEE-488.2, a query is a command with a question mark symbol appended (examples: `*IDN?` and `:OPTions?`). When a query form of a command is received, the current setting associated with the command is placed in the output buffer. Query commands always return the short form of the parameter unless otherwise documented. Boolean values are returned as 1 or 0, even when they can be set as `on` or `off`.

Identifiers

The following identifiers have been used throughout the optional command definitions. Descriptions are provided here. In most cases, units are specified with the individual command.

Table 2-3. Description of Command Identifiers

Identifier	Description
<amplitude>	Amplitude value. Units specified with the command.
<freq>	Frequency. Units specified with the command.
<integer>	Integer value, no units. Range specified with the command.
<number>	Numeric value, integer, or real.
<percentage>	Percentage value from 0–100. Units are always %.
<rel ampl>	Relative amplitude. Units are always dB.
<x-parameter>	Parameter value in the units of the x-axis. Units are specified with the command.
<string>	The string should be enclosed in either single quotes (' ') or double quotes (" ").
<file name>	The name should be enclosed in either single quotes (' ') or double quotes (" "). The need for an extension is documented with applicable commands.
<voltage>	Voltage. Units specified with the command.
<current>	Current. Units specified with the command.

Data Parameters

Data parameters, referred to simply as “parameters,” are the quantitative values used as arguments for the command keywords. The parameter type associated with a particular SCPI command is determined by the type of information required to control the particular instrument function. For example, Boolean (ON | OFF) type parameters are used with commands that control switch functions.

Some command descriptions specify the type of data parameter to be used with each command. The most commonly used parameter types are numeric, extended numeric, discrete, and Boolean.

Numeric

Numeric parameters comprise integer numbers or any number in decimal or scientific notation, and may include polarity signs. This includes <NR1>, <NR2>, and <NR3> numeric data as defined in “Data Parameter Notations” below. Parameters that accept all three <NR> formats are designated <NRf> throughout this document.

Extended Numeric

Extended numeric parameters include values such as MAXimum and MINimum.

Discrete

Discrete parameters, such as INTernal and EXTernal, are used to control program settings to a predetermined finite value or condition.

Boolean

Boolean parameters represent binary conditions and may be expressed as ON, OFF or 1, 0.

Data Parameter Notations

The following syntax conventions are used for data parameter descriptions in this manual:

Table 2-4. Parameter Notations

<arg>	::=a generic command argument consisting of one or more of the other data types
<bNR1>	::=boolean values in <NR1> format; numeric 1 or 0
<boolean>	::=ON OFF. Can also be represented as 1 or 0, where 1 means ON and 0 means OFF Boolean parameters are always returned as 1 or 0 in <NR1> format by query commands
<integer>	::=an unsigned integer without a decimal point (implied radix point)
<NR1>	::=a signed integer without a decimal point (implied radix point)
<NR2>	::=a signed number with an explicit radix point
<NR3>	::=a scaled explicit decimal point numeric value with and exponent (e.g., floating point number)
<NRf>	::=<NR1> <NR2> <NR3>
<nv>	::=SCPI numeric value: <NRf> MINimum MAXimum UP DOWN DEFault NAN (Not A Number) INFinity NINFinity (Negative Infinity) or other types
<char>	::=<CHARACTER PROGRAM DATA> Examples: CW, FIXed, UP, and DOWN
<string>	::=<STRING PROGRAM DATA> ASCII characters enclosed by double quotes For example: “OFF”
<block>	::=IEEE-488.2 block data format
<NA>	::=Not Applicable

Unit Suffixes

Unit suffixes are not required for data parameters, provided the values are scaled for the global default units. The BTS Master SCPI default units are: Hz (Hertz) for frequency related parameters s (seconds) for time related parameters, and m (meters) for distance related parameters.

2-4 Notational Conventions

The SCPI interface standardizes command syntax and style that simplifies the task of programming across a wide range of instrumentation. As with any programming language, the exact command keywords and command syntax must be used. Unrecognized commands or improper syntax will not function.

Table 2-5. Notational Conventions

:	A colon links command keywords together to form commands. The colon is not an actual part of the keyword, but is a signal to the SCPI interface parser. A colon must precede a root keyword immediately following a semicolon (see “Notational Examples” on page 2-8).
;	A semicolon separates commands if multiple commands are placed on a single program line.
[]	Square brackets enclose one or more optional keywords.
{ }	Braces enclose one or more keyword or command parameters that may be included one or more times.
	A vertical bar indicates “or” and is used to separate alternative parameter options. Example: ON OFF is the same as ON or OFF.
< >	Angle brackets enclose parameter descriptions.
::=	Means “is defined as” For example: <a>::=<c> indicates that <c> can replace <a>.
sp	Space, referred to as <i>white space</i> , must be used to separate keywords from their associated data parameters. It must not be used between keywords or inside keywords.
XXX	Indicates a root command name

For further information about SCPI command syntax and style, refer to the Standard Commands for Programmable Instruments (SCPI) 1999.0 document.

2-5 Notational Examples

Table 2-6 provides examples of valid command syntax:

Table 2-6. Creating Valid Commands

Command Specification	Valid Forms
<code>[[:SENSe]:FREQuency:STARt <freq></code>	The following all produce the same result: <code>:SENSe:FREQuency:STARt 1 MHZ</code> <code>:SENS:FREQ:STAR 1 MHZ</code> <code>:sense:frequency:start 1000000</code> <code>:FREQ:STAR 1000 KHZ</code>
<code>:CALCulate:MARKer{1 2 3 4 5 6}:X <x-parameter></code>	The first 2 commands set the location of marker 1. The third command sets the location of marker 2. <code>:CALC:MARK:X 1 GHZ</code> <code>:CALC:MARK1:X 1 GHZ</code> <code>:CALC:MARK2:X 2 GHZ</code>
<code>:UNIT:POWer DBM DBV DBMV DBUV V W</code>	The following commands are identical: <code>:UNIT:POWer DBM</code> <code>:unit:pow dbm</code>
<code>:INITiate:CONTinuous OFF ON 0 1</code>	The following commands are identical: <code>:INITiate:CONTinuous OFF</code> <code>:init:cont 0</code>

Command statements read from left to right and from top to bottom. In the command statement above, the `:FREQuency` keyword immediately follows the `:SENSe` keyword with no separating space. A space (*sp*) is used between the command string and its argument.

Note that the first keyword in the command string does not require a leading colon; however, it is good practice to always use a leading colon for all keywords. Note also that the `:SENSe` keyword is optional. This is a SCPI convention for all voltage or signal source type instruments that allows shorter command statements to be used.

The following is an example of a multiple command statement that uses two separate commands in a single statement:

```
:FREQuency:STARt 10E6;:FREQuency:STOP 20E9
```

Note	A semicolon is used to join the commands and a leading colon used immediately after the semicolon to start the second command.
-------------	--

Command Terminators

The <new line> character (ASCII 10) in the last data byte of a command string is used as a command terminator. Use of a command terminator will reset the command path to the root of the tree.

2-6 Formatting Conventions

This manual uses the following conventions in describing SCPI commands.

Table 2-7. Formatting Conventions

:COMMands:LOOK:LIKE:THIS	Commands are formatted to differentiate them from their description.
:COMMand:QUERies:LOOK:LIKE:THIS?	The query form of the command is followed by a “?”
Front-panel key sequences use this formatting	Front-panel key presses are formatted to differentiate them from text descriptions. Key presses are separated by a comma (“,”).
<identifier>	Identifiers are enclosed in “< >”. They indicate that some type of data must be provided. See Table 2-3 for details on the types of identifiers.
	The “ ” indicates that a choice must be made.
[optional input]	Optional input is be enclosed in “[]”. The “[]” are not part of the command.

2-7 Parameter Names

The following tables list the parameter options for the `:TRACe:PREamble?` command in each supported measurement mode.

Spectrum Analyzer Parameter Names

Table 2-8. Available Parameters in Spectrum Analyzer Mode (1 of 4)

Parameter Name	Description
SN	Instrument serial #
UNIT_NAME	Instrument name
DESCR	Trace name
DATE	Trace date/time
BASE_VER	Base FW version
APP_NAME	Application name
APP_VER	Application FW version
UNITS	Amplitude units
CENTER_FREQ	Center frequency
SPAN	Frequency span
FREQ_STEP	Frequency step size
RBW	Resolution bandwidth
RBW_TYPE	RBW coupling auto/manual
VBW	Video bandwidth
VBW_TYPE	VBW coupling auto/manual
RBW_VBW_RATIO	RBW/VBW ratio
SPAN_RBW_RATIO	Span/RBW ratio
INPUT_ATTEN	Input attenuation
ATTEN_TYPE	Attenuation coupling auto/manual
REFERENCE_LEVEL	Reference level
SCALE	Y-axis scale
PREAMP_SET	Preamplifier state
REF_LEVEL_OFFSET	Reference level offset
DETECTION	Detection type
TRACE_AVERAGE	Number of traces to average
SWEEP_TYPE	Single/continuous
CURRENT_SIGNAL	Current signal index
CURRENT_CHANNEL	Current signal channel
TRACE_MODE	Normal/Avg/Max

Table 2-8. Available Parameters in Spectrum Analyzer Mode (2 of 4)

Parameter Name	Description
TRACE_STATUS	TRACE_A_VIEW_NOT_BLANK: 0x0000000000000001 TRACE_A_WRITE_NOT_HOLD: 0x0000000000000002 TRACE_A_DATA_VALID: 0x0000000000000004 TRACE_B_VIEW_NOT_BLANK: 0x0000000000010000 TRACE_B_WRITE_NOT_HOLD: 0x0000000000020000 TRACE_B_DATA_VALID: 0x0000000000040000 TRACE_C_VIEW_NOT_BLANK: 0x0000000100000000 TRACE_C_WRITE_NOT_HOLD: 0x0000000200000000 TRACE_C_DATA_VALID: 0x0000000400000000 TRACE_C_IS_B_MINUS_A_ON: 0x0000001000000000 TRACE_C_IS_A_MINUS_B_ON: 0x0000002000000000
TRACE_COUNT	Number of traces averaged
UI_DATA_POINTS	Number of display points
IMPEDANCE	Input impedance
REFERENCE_FREQUENCY	Reference freq
SET_SWEEP_TIME	Minimum sweep time setting
TRIGGER_TYPE	Trigger type
VIDEO_TRIGGER_LEVEL	Video trigger level
TRIGGER_POSITION	Trigger position as a percent of the display
PEAK_THRESHOLD	Marker peak search threshold
MARKER_TABLE	Marker table status
ACTIVE_MEASUREMENT	Current measurement
ANTENNA	Antenna index
OCC_BW_METHOD	Occupied bandwidth method
OCC_BW_PERCENT	Occupied bandwidth % of power setting
OCC_BW_DBC	Occupied bandwidth dBc setting
OCC_BW_MEASURED_DB	Occupied bandwidth measured dBc value
OCC_BW_MEASURED_PERCENT	Occupied bandwidth measured % value
OCC_BW_VALUE	Measured occupied bandwidth
OCC_BW_LINE_MARKER_INFO	Mask off 16 bits at a time to get the display point location of the 3 OBW display indicators
CH_PWR_WIDTH	Channel power integration bandwidth
CH_PWR_VALUE	Measured channel power
CH_PWR_DENSITY	Measured channel power density
CH_PWR_LINE_MARKER_INFO	Mask off 16 bits at a time to get the display point location of the 2 channel power display indicators
ACPR_MAIN_CH_BW	ACPR main channel bandwidth
ACPR_ADJC_CH_BW	ACPR adjacent channel bandwidth
ACPR_CHANNEL_SPACING	ACPR channel spacing
ACPR_MAIN_CH_PWR	ACPR measured main channel power

Table 2-8. Available Parameters in Spectrum Analyzer Mode (3 of 4)

Parameter Name	Description
ACPR_UPPER_CH_PWR	ACPR measured upper channel power
ACPR_LOWER_CH_PWR	ACPR measured lower channel power
ACPR_LOWER_CH_LINE_MARKER_INFO	Mask off 16 bits at a time to get the display point location of the 2 ACPR lower channel display indicators
ACPR_MAIN_CH_LINE_MARKER_INFO	Mask off 16 bits at a time to get the display point location of the 2 ACPR main channel display indicators
ACPR_UPPER_CH_LINE_MARKER_INFO	Mask off 16 bits at a time to get the display point location of the 2 ACPR upper channel display indicators
AM_FM_DEMOD_VOL	AM/FM demod volume
AM_FM_DEMOD_FREQUENCY	AM/FM demod freq
AM_FM_DEMOD_TYPE	AM/FM demod type
AM_FM_DEMOD_TIME	AM/FM demod time
AM_FM_LINE_MARKER	Display point location of the demodulation frequency
BEAT_FREQUENCY_OSC_FREQUENCY	BFO oscillator freq
CI_C_TYPE	C/I measurement carrier type
CI_C_VALUE	C/I measurement measured carrier power
CI_I_BB_VALUE	C/I measurement measured broadband interference power
CI_I_NB_VALUE	C/I measurement measured narrowband interference power
CI_I_WB_VALUE	C/I measurement measured wideband interference power
CI_BB_VALUE	C/I measurement with broadband interference
CI_NB_VALUE	C/I measurement with narrowband interference
CI_WB_VALUE	C/I measurement with wideband interference
MKR_SPA_FREQNx	Marker x frequency (where x is the marker number 0-11, 0 represent the reference marker #1 and 1 represent delta marker #1, 2 represent reference marker #2, and 3 represent delta marker #2, and so on)
MKR_SPA_POINTx	Reference marker x display point
MKR_SPA_MAGNTx	Reference marker x magnitude
MKR_SPA_PRCNTx	Reference marker x display percentage

Table 2-8. Available Parameters in Spectrum Analyzer Mode (4 of 4)

Parameter Name	Description
MKR_SPA_FLAGSx	Reference marker x flags: SPA_MKR_FLAG_ON_OFF: 0x00000001 SPA_MKR_FLAG_DELTA_MKR: 0x00000002 SPA_MKR_FLAG_SELECTED: 0x00000004 SPA_MKR_FLAG_DATA_INVALID: 0x00000008 SPA_MKR_FLAG_DATA_STALE: 0x00000010 SPA_MKR_FLAG_FIXED: 0x00000020 SPA_MKR_FLAG_MASK: 0x000000FF SPA_MKR_FLAG_DISPL_AMPL_HZ: 0x00000100 SPA_MKR_FLAG_DISPL_AMPL_PER_HZ: 0x00000200 SPA_MKR_FLAG_DISP_FLAG: 0x00000F00 SPA_MKR_FLAG_RELATIVE: 0x00001000 SPA_MKR_STANDARD: 0x10000000 SPA_MKR_FIELD_STRENGTH: 0x20000000 SPA_MKR_NOISE: 0x30000000 SPA_MKR_COUNTER: 0x40000000 SPA_MKR_TIME: 0x50000000
MKR_SPA_REF_TOx	Specifies which marker is the marker x reference to
MKR_SPA_TRACEx	Specifies which trace the marker x is for.
LIM_LFLAGS_UP	Upper limit flags: LIMIT_FLAG_ON: 0x00000004 LIMIT_FLAG_ALARM_ON: 0x00000002
LIM_FREQNC_UPx	Upper limit point x freq (where x is the limit point number starting with 0)
LIM_MAGNTD_UPx	Upper limit point x amplitude
LIM_LFLAGS_LO	Lower limit flags: LIMIT_FLAG_ON: 0x00000004 LIMIT_FLAG_ALARM_ON: 0x00000002
LIM_FREQNC_LOx	Lower limit point x freq (where x is the limit point number starting with 0)
LIM_MAGNTD_LOx	Lower limit point x amplitude

Cable & Antenna Parameter Names**Table 2-9.** Available Parameters in Cable & Antenna Mode (1 of 7)

Parameter Name	Description
SN	Instrument serial #
UNIT_NAME	Instrument name
TYPE	The data type (Setup or Data).
DESCR	Trace name
DATE	Trace date/time
BASE_VER	Base FW version
APP_NAME	Application name
APP_VER	Application FW version
APP_MODE	Application Mode
CHECKSUM	Checksum
DIST_UNITS	Distance units
AMPL_UNITS	y-axis value units
MEASUREMENT	Measurement
1PORT_DOMAIN	1-Port Domain
FREQ_TOKYO_GAS	Tokyo Gas Frequency
FREQ_START	Start Frequency
FREQ_STOP	Stop Frequency
DIST_START	Start distance
DIST_STOP	Stop distance
CAL_STATUS	Calibrate Status (On/Off)
SWEEP_TIME	Sweep time
SWEEP_TYPE	Sweep type (Single/Continuous)
FREQ_STEP	Frequency step size
MARKER_SELECTED	The selected marker
MARKER_TABLE	Marker table status (On/Off)
TRACE_VIEW	Trace View (View/Blank)
TRACE_STATE	Trace State (Write/Hold)
WINDOWING	Windowing Type (Rectangular/Nominal Side Lobe/Low Side Lobe/Minimum Side Lobe)
CABLE	Cable index from the cable list
PROP_VEL	Propagation velocity
CABLE_LOSS	Cable Loss
BIAS_TEE_STATE	Bias tee state (On/Off)
BIAS_TEE_VOLTAGE_SELECTION	Bias tee voltage selection (12V,15V,18V,21V,24V)
BIAS_TEE_VOLTAGE	Bias tee voltage
BIAS_TEE_CURRENT_SELECTION	Bias tee current selection (Low/High)
BIAS_TEE_CURRENT	Bias tee current
CW_STATUS	RF Immunity (On/Off)
OUTPUT_POWER_LEVEL	Power Level (High/Low)

Table 2-9. Available Parameters in Cable & Antenna Mode (2 of 7)

Parameter Name	Description
IL_SENSITIVITY	Auto/Normal/High
CURRENT_SIGNAL_STD	Current signal standard
FULL_SCREEN	Full Screen
RESOLUTION	Sweep Resolution (137/275/551)
1PORT_DISP_FORMAT	1 Port Display Format
2PORT_DISP_FORMAT	2 Port Display Format
UI_DATA_POINTS	Number of display points (137/275/551)
REFERENCE_LEVEL	Reference level
SCALE	Y-axis scale
RF_SOURCE_POWER_LEVEL	Source Power Level
PM_RELATIVE	PM Relative
PM_OFFSET	PM Offset
CAL_TEMP_WINDOW	Cal Temp window
PM_UPPER_THRESHOLD_STATE	PM upper threshold state
PM_LOWER_THRESHOLD_STATE	PM lower threshold state
PM_UPPER_THRESHOLD	PM upper threshold
PM_LOWER_THRESHOLD	PM lower threshold
CENTER_FREQ	Center Frequency
SPAN	Span Frequency
CAL_COEFFICIENT_PTR	Calibrate coefficient
SMITH_CHART_TYPE	Smith chart type
DISPLAY_CHANNELS	Display Channels
ACTIVE_DISPLAY_CHANNEL	The current active display channel
NUM_OF_CHANNELS	Channel number
SEND_CAL_PROMPTS	Send Cal prompts
SET_SWEEP_DATA_TYPE	Set sweep data type
TUNE_MODE	Tune mode
AVERAGING	Averaging
SMITH_PHASE_SELECTION	Smith phase selection
10_MHZ_TCXO_DAC	10 MHz TCXO DAC
PM_DBMUNITS	PM dBm units
PM_ZERO	PM Zero
PM_DBUNITS	PM dB units
PM_DATA	PM data
PM_STATUS	PM Status
DISP_CHANNELS	Display channels
ACTIVE_DISP_CHANNEL	Active display channel
DMAX	Dmax
FAULT_RESOLUTION	Fault Resolution
SUGGESTED_SPAN	Suggested span

Table 2-9. Available Parameters in Cable & Antenna Mode (3 of 7)

Parameter Name	Description
START_FREQ_STATUS	Start frequency status
PM_ZERO_DATA	PM zero data
PM_REL_DATA	PM rel data
FIELD_MENU	Cable & Antenna/Field
UI_DATA_POINTS	Number of display points
SET_SWEEP_TIME	Minimum sweep time setting
AVERAGING_FACTOR	Averaging Factor.
AVERAGE_COUNT	Averaging count.
SCALE_RESOLUTION_RL	S11 Log Magnitude scale resolution
REFERENCE_VALUE_RL	S11 Log Magnitude reference value
REFERENCE_LINE_RL	S11 Log Magnitude reference line
SCALE_RESOLUTION_RL_DIST	S11 Log Magnitude Fault Location scale resolution
REFERENCE_VALUE_RL_DIST	S11 Log Magnitude Fault Location reference value
REFERENCE_LINE_RL_DIST	S11 Log Magnitude Fault Location reference line
SCALE_RESOLUTION_SWR	S11 VSWR scale resolution
REFERENCE_VALUE_SWR	S11 VSWR reference value
REFERENCE_LINE_SWR	S11 VSWR reference line
SCALE_RESOLUTION_SWR_DIST	S11 VSWR Fault Location scale resolution
REFERENCE_VALUE_SWR_DIST	S11 VSWR Fault Location reference value
REFERENCE_LINE_SWR_DIST	S11 VSWR Fault Location reference line
SCALE_RESOLUTION_CL	Cable loss Scale resolution
REFERENCE_VALUE_CL	Cable loss reference value
REFERENCE_LINE_CL	Cable loss reference line
SCALE_RESOLUTION_IL	IL scale resolution
REFERENCE_VALUE_IL	IL reference value
REFERENCE_LINE_IL	IL reference line
SCALE_RESOLUTION_IG	S21 Log Magnitude scale resolution
REFERENCE_VALUE_IG	S21 Log Magnitude reference value
REFERENCE_LINE_IG	S21 Log Magnitude reference line
SCALE_RESOLUTION_PHASE_S11	S11 Phase scale resolution
REFERENCE_VALUE_PHASE_S11	S11 Phase reference value
REFERENCE_LINE_PHASE_S11	S11 Phase reference line
SCALE_RESOLUTION_PHASE_IL	S21 Phase scale resolution
REFERENCE_VALUE_PHASE_IL	S21 Phase reference value
REFERENCE_LINE_PHASE_IL	S21 Phase reference line
SCALE_RESOLUTION_PHASE_IG	Scale Resolution Phase IG
REFERENCE_VALUE_PHASE_IG	Reference value phase IG
REFERENCE_LINE_PHASE_IG	Reference line phase IG
RL_DIST_TOP	DTF Return Loss Top Value
RL_DIST_BOTTOM	DTF Return Loss Bottom Value

Table 2-9. Available Parameters in Cable & Antenna Mode (4 of 7)

Parameter Name	Description
SWR_DIST_TOP	DTF VSWR Top Value
SWR_DIST_BOTTOM	DTF VSWR Bottom Value
RL_MAG_TOP	Return Loss Top Value
RL_MAG_BOTTOM	Return Loss Bottom Value
SWR_MAG_TOP	VSWR Top Value
SWR_MAG_BOTTOM	VSWR Bottom Value
CL_MAG_TOP	Cable Loss Top Value
CL_MAG_BOTTOM	Cable Loss Bottom Value
IL_MAG_TOP	IL Magnitude Top
IL_MAG_BOTTOM	IL Magnitude Bottom
IG_MAG_TOP	2-Port Gain Top Value
IG_MAG_BOTTOM	2-Port Gain Bottom Value
S11_PHASE_TOP	1-Port Phase Top Value
S11_PHASE_BOTTOM	1-Port Phase Bottom Value
IL_PHASE_TOP	IL Phase Top Value
IL_PHASE_BOTTOM	IL Phase Bottom Value
IG_PHASE_TOP	2-Port Phase Top Value
IG_PHASE_BOTTOM	2-Port Phase Bottom Value
GD_S11_MAG_TOP	S11 Group Delay Top
GD_S11_MAG_BOTTOM	S11 Group Delay Bottom
GD_S21_MAG_TOP	S21 Group Delay Top
GD_S21_MAG_BOTTOM	S21 Group Delay Bottom
SCALE_RESOLUTION_GD_S11	S11 Group Delay scale resolution
REFERENCE_VALUE_GD_S11	S11 Group Delay reference value
REFERENCE_LINE_GD_S11	S11 Group Delay reference line
SCALE_RESOLUTION_GD_S21	S21 Group Delay scale resolution
REFERENCE_VALUE_GD_S21	S21 Group Delay reference value
REFERENCE_LINE_GD_S21	S21 Group Delay reference line
CONNECTOR_TYPE	DUT Connector type
USER_CONNECTOR_x_OPEN	DUT connector open for x user (where x is the user number 1 or 2).
USER_CONNECTOR_x_SHORT	DUT connector short for x user (where x is the user number 1 or 2).
USER_CONNECTOR_x_Cy	DUT connector for x user of capacitance coefficient y. Where x is the user number (1-2) and y is the coefficient number (0-3).
VVM_MODE	Vector Volt Meter mode (Table or CW).
VVM_CW_FREQ	Vector Volt Meter CW frequency.
VVM_MEAS_TYPE	Vector Volt Meter measurement type (Return or Insertion).
VVM_RETURN_MEAS_FORMAT	Vector Volt Meter return measurement format (dB/VSWR/Impedance).

Table 2-9. Available Parameters in Cable & Antenna Mode (5 of 7)

Parameter Name	Description
VVM_CABLE	Vector Volt Meter selected cable.
VVM_RF_OFF	Vector Volt Meter RF on/off.
VVM_RETURN_REF_AMP	Vector Volt Meter Return Ref Amp.
VVM_RETURN_REF_PHASE	Vector Volt Meter Return Ref. phase.
VVM_RETURN_REF_VSWR	Vector Volt Meter Return Ref VSWR.
VVM_RETURN_REF_REAL	Vector Volt Meter Return Ref Real.
VVM_RETURN_REF_IMAG	Vector Volt Meter Return Ref Imag.
VVM_INSERTION_REF_AMP	Vector Volt Meter Insertion Ref Amp.
VVM_INSERTION_REF_PHASE	Vector Volt Meter Insertion Ref Phase.
VVM_AMP_x	Vector Volt Meter amplitude x (where x is the cable number 1 to 5).
VVM_DELTA_AMP_x	Vector Volt Meter delta amplitude x (where x is the cable number 1 to 5).
VVM_PHASE_x	Vector Volt Meter phase x (where x is the cable number 1 to 5).
VVM_DELTA_PHASE_x	Vector Volt Meter delta phase x (where x is the cable number 1 to 5).
VVM_CW_AMP	Vector Volt Meter CW amplitude.
VVM_CW_PHASE	Vector Volt Meter delta phase.
VVM_CW_VSWR	Vector Volt Meter CW VSWR.
VVM_CW_REAL	Vector Volt Meter delta Real.
VVM_CW_IMAG	Vector Volt Meter delta Imag
SAVED_FREQ_START	Saved Start Frequency.
SAVED_FREQ_STOP	Saved Stop Frequency.
VVM_SAVED_REAL	Saved Real.
VVM_SAVED_IMAG	Saved Imag.
VVM_SAVE_REFERENCE	Saved reference.
MKR_REF_FREQNx	Reference marker x frequency (where x is the marker number 0-5)

Table 2-9. Available Parameters in Cable & Antenna Mode (6 of 7)

Parameter Name	Description
MKR_REF_FLAGSx	Reference marker x flags: MKR_FLAG_ON_OFF: 0x00000001 MKR_FLAG_NOISE: 0x00000002 MKR_FLAG_PHASE_NOISE: 0x00000004 MKR_FLAG_AMP_TRACK: 0x00000008 MKR_FLAG_DELTA_MKR: 0x00000020 MKR_FLAG_DATA_INVALID: 0x00000040 MKR_FLAG_DATA_STALE: 0x00000080 MKR_FLAG_SELECTED: 0x00000100 MKR_FLAG_COUNTER: 0x00000200 MKR_FLAG_DELT_DISPL_PER_HZ: 0x00000800 MKR_FLAG_TRACE_A: 0x00001000 MKR_FLAG_TRACE_B: 0x00002000 MKR_FLAG_TRACE_C: 0x00004000 MKR_FLAG_TRACE_MASK: 0x00007000
MKR_DLT_FREQNx	Delta marker x frequency (where x is the marker number 0-5)
MKR_DLT_FLAGSx	Delta marker x flags:
LIM_LFLAGS_UP-1	Upper limit flags: LIMIT_FLAG_UPPER: 0x00000001 LIMIT_FLAG_ON: 0x00000004 LIMIT_FLAG_ALARM_ON: 0x00000002 LIMIT_FLAG_SEGMENTED: 0x00000020 LIMIT_FLAG_ALARM_EVENT: 0x00000040 LIMIT_FLAG_LEFT_OF_START_FREQ: 0x00000080 LIMIT_FLAG_RIGHT_OF_STOP_FREQ: 0x00000100 LIMIT_FLAG_MASK: 0x000007FF
LIM_NUMPTS_UP-1	Number of upper limit points
LIM_CURFRQ_UP-1	Upper limit current frequency
LIM_CURMAG_UP-1	Upper limit current magnitude
LIM_PFLAGS_UPx	Upper limit x flags (where x is the limit point number starting with 0)
LIM_FREQNC_UPx	Upper limit point x freq (where x is the limit point number starting with 0)
LIM_MAGNTD_UPx	Upper limit point x-parameter (where x is the limit point number starting with 0)

Table 2-9. Available Parameters in Cable & Antenna Mode (7 of 7)

Parameter Name	Description
LIM_LFLAGS_LO-1	Lower limit flags: LIMIT_FLAG_UPPER: 0x00000001 LIMIT_FLAG_ON: 0x00000004 LIMIT_FLAG_ALARM_ON: 0x00000002 LIMIT_FLAG_SEGMENTED: 0x00000020 LIMIT_FLAG_ALARM_EVENT: 0x00000040 LIMIT_FLAG_LEFT_OF_START_FREQ: 0x00000080 LIMIT_FLAG_RIGHT_OF_STOP_FREQ: 0x00000100 LIMIT_FLAG_MASK: 0x000007FF
LIM_NUMPTS_LO-1	Number of lower limit points
LIM_CURFRQ_LO-1	Lower limit current frequency
LIM_CURMAG_LO-1	Lower limit current magnitude
LIM_PFLAGS_LOx	Lower limit x flags (where x is the limit point number starting with 0)
LIM_FREQNC_LOx	Lower limit point x freq (where x is the limit point number starting with 0)
LIM_MAGNTD_LOx	Lower limit point x (where x is the limit point number starting with 0)

GSM Parameter Names**Table 2-10.** Available Parameters in GSM Mode

Parameter Name	Description
SN	Instrument serial #
UNIT_NAME	Instrument name
TYPE	The data type (Setup or Data)
DESCR	Trace name
DATE	Trace date/time
BASE_VER	Base FW version
APP_NAME	Application name
APP_VER	Application FW version
APP_MODE	Application Mode
REFERENCE_LEVEL	Reference Level
CENTER_FREQ	Center freq
SIGNAL_STANDARD	Current signal standard (the value is the index of the signal standard list, where a value of 1 is the first index in the list)
CHANNEL	Current channel
POWER_OFFSET	Applied power offset
REFERENCE_FREQUENCY	Selected external reference frequency
UNITS	Amplitude units
CURRENT_VIEW	Current view
CURRENT_MEASUREMENTS	Current measurements
DYNAMIC_ATTENUATION	Dynamic range on/off
SPAN	Frequency span
MANUAL_SYSTEM_SELECT	GSM/EDGE select
CURRENT_SPECTRUM_VIEW	Current spectrum view (single or multiple channel spectrum)
I_Q_VIEW	IQ view
RUN_HOLD	Run/Hold on/off
MC_SPECTRUM_START_FREQ	Multi-channel spectrum start frequency
MC_SPECTRUM_STOP_FREQ	Multi-channel spectrum stop frequency
MC_CHANNEL_CURSOR	Multi-channel spectrum channel cursor (used for markers)
MC_FREQ_CURSOR	Multi-channel spectrum frequency cursor (used for markers)
TEST_MODEL	Current pass fail model being tested

WiMAX, Mobile WiMAX Parameter Names**Table 2-11.** Available Parameters in WiMAX and Mobile WiMAX Mode (1 of 2)

Parameter Name	Description
SN	Instrument serial #
UNIT_NAME	Instrument name
TYPE	The data type (Setup or Data)
DESCR	Trace name
DATE	Trace date/time
BASE_VER	Base FW version
APP_NAME	Application name
APP_VER	Application FW version
APP_MODE	Application Mode
REFERENCE_LEVEL	Reference Level
UNITS	Amplitude units
SCALE	Y axis scale
CENTER_FREQ	Center freq
SIGNAL_STANDARD	Current signal standard (the value is the index of the signal standard list, where a value of 0 is the first index in the list)
CHANNEL	Current channel
POWER_OFFSET	Applied power offset
REFERENCE_FREQUENCY	Selected external reference frequency
UNITS	Amplitude units
CURRENT_VIEW	Current view
CURRENT_MEASUREMENTS	Current measurements
DYNAMIC_ATTENUATION	Dynamic range on/off
SPAN	Frequency span
PVT_FRAME_START_TIME	Power vs. Time start time
PVT_FRAME_STOP_TIME	Power vs. Time stop time
BW_SELECT	Current Bandwidth (MHz)
CURRENT_SPECTRUM_VIEW	Current spectrum view (single or multiple channel spectrum)
I_Q_VIEW	IQ view
RUN_HOLD	Run/Hold on/off
TEST_MODEL	Current pass fail model being tested
CP_RATIO	Cyclic Prefix Ratio (the value is the index of the CP Ratio list, where a value of 0 is the first index in the list)
SPECTRUM_SPAN	Spectrum frequency span (the value is the index of the span list, where a value of 0 is the first index in the list)
AUTO_SPAN	Auto span on/off
MAX_HOLD	Max hold on/off
EVM_SUB_CARRIER_TOP	Y Axis Max for EVM vs. Symbol/Sub-Carrier
EVM_SUB_CARRIER_SCALE	EVM vs. Symbol/Sub-Carrier scale
SPECTRAL_FLATNESS_SCALE	Spectral Flatness scale

Table 2-11. Available Parameters in WiMAX and Mobile WiMAX Mode (2 of 2)

Parameter Name	Description
ACPR_DISPLAY_GRAPH	Display ACPR trace on/off
NUM_OF_ACPR_MAIN_CHANNELS	Number of main channels
NUM_OF_ACPR_ADJC_CHANNELS	Number of adjacent channels
CONSTELLATION_REFERENCE_POINTS	Constellation reference points on/off
SPECTRAL_FLATNESS_TOP	Y Axis Max for Spectral Flatness
SPECTRAL_FLATNESS_EVM_SUB_START	Spectral Flatness/EVM vs. sub-carrier start
SPECTRAL_FLATNESS_EVM_SUB_STOP	Spectral Flatness/EVM vs. sub-carrier stop
EVM_SYM_START	EVM vs. Symbol start
EVM_SYM_STOP	EVM vs. Symbol stop

WCDMA Parameter Names**Table 2-12.** Available Parameters in WCDMA Mode (1 of 2)

Parameter Name	Description
SN	Instrument serial #
UNIT_NAME	Instrument name
TYPE	The data type (Setup or Data)
DESCR	Trace name
DATE	Trace date/time
BASE_VER	Base FW version
APP_NAME	Application name
APP_VER	Application FW version
APP_MODE	Application Mode
CENTER_FREQ	Center frequency
AUTO_SCRAMBLING_CODE	Auto scrambling code detection on/off
SCRAMBLING_CODE	Selected manual scrambling code
MAX_SPREADING_FACTOR	Maximum spreading factor
REFERENCE_LEVEL	Reference Level
THRESHOLD	Active channel threshold
CURRENT_MEASUREMENTS	Currently active measurements
SCALE	Display scale (dB/division)
POWER_OFFSET	Applied power offset
SCCPCH_CODE	Selected S-CCPCH channelization code
PICH_CODE	Selected PICH channelization code
CURRENT_VIEW	Current view
CDP_ZOOM	Zoom range for code domain power
CDP_ZOOM_START	Start code for zoom window
REFERENCE_FREQUENCY	Reference Frequency
SCCPCH_SPREAD_FCT	Selected S-CCPCH spreading factor
RUN_HOLD	Run/hold state
EXT_REF_FREQ	Selected external reference frequency
DYNAMIC_ATTENUATION	Dynamic range on/off
ACLR_DISPLAY_GRAPH	Display ACLR trace on/off
MARKER_TABLE	Marker table on/off
OTA_AUTO_SC	OTA auto scrambling code on/off
OTA_CODE_LOCK	OTA code lock on/off
OTA_DISPLAY_VALUE	Selected OTA display value
OTA_SORT_PARAM	Selected OTA sort parameter
OTA_MANUAL_SC_1	Selected manual scrambling code 1
OTA_MANUAL_SC_2	Selected manual scrambling code 2
OTA_MANUAL_SC_3	Selected manual scrambling code 3
OTA_MANUAL_SC_4	Selected manual scrambling code 4

Table 2-12. Available Parameters in WCDMA Mode (2 of 2)

Parameter Name	Description
OTA_MANUAL_SC_5	Selected manual scrambling code 5
OTA_MANUAL_SC_6	Selected manual scrambling code 6
CODOGRAM_SINGLE_SWEEP_TIME	Single sweep time for codogram
TEST_MODEL	Current pass fail model being tested
CONSTELLATION_CODE	Code number for which IQ data is being displayed
CONSTELLATION_SPREAD	Spreading factor of code for which IQ data is being displayed
NUM_OF_ACLR_MAIN_CHANNELS	Number of main channels
NUM_OF_ACLR_MAIN_CHANNELS	Number of adjacent channels
BAND_SPECTRUM_START_FREQ	Band spectrum start frequency
BAND_SPECTRUM_STOP_FREQ	Band spectrum stop frequency
DL_CHANNEL_NUMBER	Currently selected band spectrum channel
AUTO_THRESHOLD	Auto threshold value
HSDPA_DEMOD_SINGLE_SWEEP_TIME	Single sweep time for hsdpa
BAND_SPECTRUM_REFERENCE_LEVEL	Reference level for band spectrum
CONSTELLATION_PERSISTENCE	Persistence level for IQ data
SIGNAL_STANDARD	Current Signal standard
CHANNEL	Current channel
CONSTELLATION_MARKER	Display location of the IQ marker
RF_MKR_POINT_[1] 2 3 4 5 6	RF marker point number
RF_MKR_STATE_[1] 2 3 4 5 6	RF marker on/off
DEMOD_MKR_POINT_[1] 2 3 4 5 6	Code domain marker point number
DEMOD_MKR_STATE_[1] 2 3 4 5 6	Code domain marker on/off
CODOGRAM_MKR_POINT_1	Codogram marker point number
CODOGRAM_MKR_STATE_1	Codogram marker on/off
CODOGRAM_MKR_TIME_1	Codogram marker time offset

CDMA Parameter Names**Table 2-13.** Available Parameters in CDMA Mode (1 of 2)

SN	Instrument serial #
UNIT_NAME	Instrument name
TYPE	The data type (Setup or Data)
DESCR	Trace name
DATE	Trace date/time
BASE_VER	Base FW version
APP_NAME	Application name
APP_VER	Application FW version
APP_MODE	Application Mode
CENTER_FREQ	Center frequency
REFERENCE_LEVEL	Reference Level
THRESHOLD	Active channel threshold
CURRENT_MEASUREMENTS	Currently active measurements
SCALE	Display scale (dB/division)
SPAN	Span
POWER_OFFSET	Applied power offset
CURRENT_VIEW	Current view
CDP_ZOOM	Zoom range for code domain power (16/32/64)
CDP_ZOOM_START	Start code for zoom window
REFERENCE_FREQUENCY	Reference Frequency
RUN_HOLD	Run/hold state
DYNAMIC_ATTENUATION	Dynamic range on/off
MARKER_TABLE	Marker table on/off
TEST_MODEL	Current pass fail model being tested
NUM_OF_ACLR_MAIN_CHANNELS	Number of main channels
NUM_OF_ACLR_ADJC_CHANNELS	Number of adjacent channels
SIGNAL_STANDARD	Current Signal standard
CHANNEL	Current channel
CHANNEL_WIDTH	Channel width
DATA_MODULATION	Data channel modulation type
PN_OFFSET	PN offset
WALSH_CODE	Walsh code (64/128)
CDP_SCALE	Code Domain Power scale
MEAS_SPEED	Measurement speed (Fast/Normal/Slow)
PN_TYPE	PN trigger type (No Trig/GPS/Ext)
PN_SEARCH_TYPE	PN search type (Auto/Manual)
TRIGGER_POLARITY	Trigger polarity (Rising/Falling)
PN_INCREMENT	PN increment
SPUR_EMM_DISPLAY_POINTS	Number of Spurious Emission display points

Table 2-13. Available Parameters in CDMA Mode (2 of 2)

SN	Instrument serial #
CDP_UNITS	Code Domain Power unit type (Relative/Absolute)
USER_PWR_UNIT	Default unit (dBm/W/mW)
BAND_CLASS	Band class
USER_CARRIER_BW	Carrier bandwidth (1.23/1.24/1.25)
RF_MKR_POINT_[1] 2 3 4 5 6	RF marker point number
RF_MKR_STATE_[1] 2 3 4 5 6	RF marker on/off
DEMOD_MKR_POINT_[1] 2 3 4 5 6	Code domain marker point number
DEMOD_MKR_STATE_[1] 2 3 4 5 6	Code domain marker on/off

EVDO Parameter Names**Table 2-14.** Available Parameters in EVDO Mode (1 of 2)

Parameter Name	Description
SN	Instrument serial #
UNIT_NAME	Instrument name
TYPE	The data type (Setup or Data)
DESCR	Trace name
DATE	Trace date/time
BASE_VER	Base FW version
APP_NAME	Application name
APP_VER	Application FW version
APP_MODE	Application Mode
CENTER_FREQ	Center frequency
REFERENCE_LEVEL	Reference Level
THRESHOLD	Active channel threshold
CURRENT_MEASUREMENTS	Currently active measurements
SCALE	Display scale (dB/division)
SPAN	Span
POWER_OFFSET	Applied power offset
CURRENT_VIEW	Current view
CDP_ZOOM	Zoom range for code domain power (16/32/64)
CDP_ZOOM_START	Start code for zoom window
REFERENCE_FREQUENCY	Reference Frequency
RUN_HOLD	Run/hold state
DYNAMIC_ATTENUATION	Dynamic range on/off
MARKER_TABLE	Marker table on/off
TEST_MODEL	Current pass fail model being tested
NUM_OF_ACLR_MAIN_CHANNELS	Number of main channels
NUM_OF_ACLR_ADJC_CHANNELS	Number of adjacent channels
SIGNAL_STANDARD	Current Signal standard
CHANNEL	Current channel
CHANNEL_WIDTH	Channel width
DATA_MODULATION	Data channel modulation type
PN_OFFSET	PN offset
WALSH_CODE	Walsh code (64/128)
POWER_TIME	Power vs. Time slot type
CDP_SCALE	Code Domain Power scale
SPUR_EMM_DISPLAY_POINTS	Number of Spurious Emission display points
POWER_VS_TIME_THRESHOLD	Power vs. Time threshold
MEAS_SPEED	Measurement speed (Fast/Normal/Slow)
PN_TYPE	PN trigger type (No Trig/GPS/Ext)

Table 2-14. Available Parameters in EVDO Mode (2 of 2)

Parameter Name	Description
PN_SEARCH_TYPE	PN search type (Auto/Manual)
TRIGGER_POLARITY	Trigger polarity (Rising/Falling)
PN_INCREMENT	PN increment
CDP_UNITS	Code Domain Power unit type (Relative/Absolute)
POWER_VS_TIME_START	Power vs. Time start chip
POWER_VS_TIME_STOP	Power vs. Time stop chip
USER_PWR_UNIT	Default unit (dBm/W/mW)
BAND_CLASS	Band class
USER_CARRIER_BW	Carrier bandwidth (1.23/1.24/1.25)
RF_MKR_POINT_[1] 2 3 4 5 6	RF marker point number
RF_MKR_STATE_[1] 2 3 4 5 6	RF marker on/off
DEMOD_MKR_POINT_[1] 2 3 4 5 6	Code domain marker point number
DEMOD_MKR_STATE_[1] 2 3 4 5 6	Code domain marker on/off

TDSCDMA Parameter Names**Table 2-15.** Available Parameters in TDSCDMA Mode (1 of 2)

SN	Instrument serial #
UNIT_NAME	Instrument name
TYPE	The data type (Setup or Data)
DESCR	Trace name
DATE	Trace date/time
BASE_VER	Base FW version
APP_NAME	Application name
APP_VER	Application FW version
APP_MODE	Application Mode
CENTER_FREQ	Center frequency
SIGNAL_STANDARD	Current Signal Standard
CHANNEL	Current Signal Standard Channel
SPAN	Span
REFERENCE_LEVEL	Reference Level
SCALE	Display Scale
POWER_OFFSET	Applied power offset
UNITS	0 = dBm, 1 = Watts
DYNAMIC_ATTENUATION	Dynamic range on/off
REFERENCE_FREQUENCY	Reference Frequency
OTA_DISPLAY_MODE	0 = Code Scan, 1 = Tau Scan
CURRENT_VIEW	Current view
CURRENT_MEASUREMENTS	Currently active measurements
POWER_TIME_VIEW	0 = Sub-Frame, 1 = Slot View
POWER_VS_TIME_START	Start time
POWER_VS_TIME_STOP	Stop time
SLOT_NUMBER_SET	Slot number (7 = auto)
SLOT_NUMBER_RETURN	Slot number
Dynamic Range	0 = Normal, 1 = Wide
MARKER_TABLE	Marker table on/off
NUM_OF_ACLR_MAIN_CHANNELS	Number of main channels
NUM_OF_ACLR_ADJC_CHANNELS	Number of adjacent channels
CHANNEL_WIDTH	Channel width
SCRAMBLING_CODE_SET	Scrambling code (128 = auto)
SCRAMBLING_CODE_SET_RETURN	Actual detected scrambling code
SCRAMBLING_CODE_1	Scrambling code 1
SCRAMBLING_CODE_2	Scrambling code 2
SCRAMBLING_CODE_3	Scrambling code 3
SCRAMBLING_CODE_4	Scrambling code 4
SPREADING_FACTOR	Spread factor

Table 2-15. Available Parameters in TDSCDMA Mode (2 of 2)

SN	Instrument serial #
SYNC_DL_CODE_SET	Sync DL code (32 = auto)
SYNC_DL_CODE_RETURN	Actual detected sync DL code set
DWPTS	DWPTS Power
NUM_OF_CARRIERS	0 = 1 carrier, 1 = 3 carriers
MAX_USERS_SET	Max users set (0 = auto)
MAX_USERS_RETURN	Max users detected
UPLINK_SLOT_SWITCH_POINT	Uplink slot switch point set
THRESHOLD	Threshold
MEAS_SPEED	Measurement speed (Fast/Normal/Slow)
TAU_OFFSET	Tau time offset
TRIGGER_TYPE	Trigger type (No Trig/GPS/External)
TRIGGER_POLARITY	Trigger polarity (Rising/Falling)
TRIGGER_ACCURACY	Trigger accuracy
CDP_ZOOM	CDP Zoom
CDP_ZOOM_START	CDP Zoom Start
WALSH_CODE	Walsh Code
CDP_SCALE	CDP scale
CDP_UNITS	CDP units (Absolute/Relative)
DATA_MODULATION	Data Modulation (QPSK/8PSK/16QAM)
DEMOD_MODE	Demod mode
RUN_HOLD	Run/hold
CODE_AUTOSAVE	Code autosave on/off
TEST_MODEL	Current pass fail model being tested
RF_MKR_POINT_[1] 2 3 4 5 6	RF marker point number
RF_MKR_STATE_[1] 2 3 4 5 6	RF marker on/off
DEMOD_MKR_POINT_[1] 2 3 4 5 6	Code domain marker point number
DEMOD_MKR_STATE_[1] 2 3 4 5 6	Code domain marker on/off

Chapter 3 — All Mode Commands

3-1 :INSTRument Subsystem

One instrument may contain many logical instruments (“modes”). This subsystem controls the selection of the current instrument mode.

:INSTRument:CATalog:FULL?

Title: Query Available Modes

Description: Returns a comma-separated list of available modes. Mode names are enclosed in double quotes (“”). Immediately following the string name is the application number. For example, an MT8221B instrument with SPA, WCDMA, Cable & Antenna, and Fixed WiMAX would return the string:“SPA”1,“WCDMA”5,“VNA”2,“WIMAX_D”18.

An instrument with all available modes would return the string:
“SPA”1,“VNA”2,“T1”4,“WCDMA”5,“CDMA”7,“GSM”8,“EVDO”9,“HI_PM”10,“E1”11,
“WIMAX_D”18,“WIMAX_E”19,“TDSCDMA”23,“VSG”25,“PM”6,“CS”15,“IA”14

Front Panel Access: Shift-9 (Mode)

Note The “VNA” return from the instrument refers to the Cable & Antenna measurement mode.
--

:INSTRument:NSElect <integer>

:INSTRument:NSElect?

Title: Select Mode by Number

Description: Sets the instrument mode based on the value of <integer>. The query version returns the number associated with the current mode. Use :INSTRument:CATalog:FULL? to get a list of available mode names and their integer representations. After issuing the set command, wait a minimum of 60 seconds before issuing the next command.

Parameter: <integer>

Parameter Type: <integer>

Related Command: :INSTRument:CATalog:FULL?
:INSTRument[:SElect]:INITiate:CONTinuous
:STATus:OPERation?

Front Panel Access: Shift-9 (Mode)

:INSTRument[:SElect] <string>

:INSTRument[:SElect]?

Title: Select Mode by Name

Description: Sets the instrument mode based on the mode name specified by <string>. Enclose the <string> argument in single or double quotes. The query version returns the name of the current mode. Use :INSTRument:CATalog:FULL? to get a list of available modes.

Parameter: <string>

Related Command: :INSTRument:CATalog:FULL?
:INSTRument:NSElect

Front Panel Access: Shift-9 (Mode)

3-2 :MMEMory Subsystem

The Mass MEMory subsystem contains functions that provide access to the instrument's setup and data storage.

:MMEMory:DATA <file name>

Title: Transfer Data

Description: Transfers the data stored in the given file from the instrument to the controlling program. Data is transferred in the form of <header><block>. The ASCII <header> specifies the number of data bytes. It looks like #AX, where A is the number of digits in X and X is the number of bytes in <block>. <file name> should be enclosed in either single quotes (') or double quotes ("") and should contain a file extension (.stp, .jpg) and the file must not be larger than 262136 bytes. Use the command MMEMory:MSIS to set the current storage location.

Parameter: <file name>

:MMEMory:DELeTe <file name>

Title: Delete Setup/Measurement

Description: Removes the measurement or setup file specified by <file name> from the current mass storage device. <file name> should be enclosed in either single quotes (') or double quotes (""). It should contain one of the following file extensions:

- “.stp” for setup
- “.edg” for GSM measurements
- “.spa” for SPA measurement
- “.wcd” for WCDMA measurements
- “.wmxd” for WiMAX
- “.wmx” for Mobile WiMAX measurements
- “.vna” for Cable & Antenna measurements
- “.cdma” for CDMA measurements
- “.tds” for TDSCDMA measurements
- “.evdo” for EVDO measurements
- “.ia” for Interference Analysis measurements
- “.cs” for Channel Scanner measurements
- “.lte” for LTE Analyzer measurements
- “.tdlte” for TD-LTE Analyzer measurements

Use the command MMEMory:MSIS to set the current mass storage location.

Parameter: <file name>

Related Command: :MMEMory:STORE:STATE
:MMEMory:STORE:TRACE
:MMEMory:MSIS INTERNAL|USB

Front Panel Access: Shift-7 (File), Delete, Delete Selected File

:MMEMory:INITialize [USB]

Title: Format Storage Device

Description: Formats the USB Flash drive. Issuing this command will erase all files on an installed USB Flash drive and create the /usr directory for storage of measurements, setups and jpg files.

Parameter: [USB]

Parameter Type: <char>

Front Panel Access: Shift-7 (File), Directory Management, Format USB

:MMEMory:LOAD:STATe <integer>,<file name>

Title: Recall Setup

Description: Recalls a previously stored instrument setup in the current storage location. The setup file to be loaded is specified by <file name>. <file name> should be enclosed in either single quotes (') or double quotes (" ") and should contain a file extension ".stp". Use the command MMEMory:MSIS to set the current storage location. The <integer> parameter is not currently used, but it must be sent.

Send a 1.

Parameter: <integer>, <file name>

Related Command: :MMEMory:STORe:STATe
:MMEMory:MSIS INTernal|USB

Front Panel Access: Shift-7 (File), Recall, Recall Setup

:MMEMory:LOAD:TRACe <integer>,<file name>

Title: Recall Measurement

Description: The instrument must be in the mode of the saved trace in order to recall that trace. Use :INSTRument:SELEct or :INSTRument:NSELEct to set the mode.

Recalls a previously stored measurement trace from the current storage location. The saved measurement trace to be loaded is specified by <file name>. <file name> should be enclosed in either single quotes (') or double quotes (") and should contain a file extension. Note that the trace specified by <file name> should be available at the current mass storage location. Use the command MMEMory:MSIS to set the current mass storage location. The <integer> parameter is not currently used, but it must be sent.

Send a 1.

In some modes, the recall of the traces using the front panel allows a user to retain or discard the instrument setup that was saved along with the measurement. This choice is not supported using a SCPI command. :MMEMory:LOAD:STATe is the recommended method to restore a saved instrument setup.

File name extensions:

- “.edg” for GSM
- “.spa” for SPA
- “.wcd” for WCDMA
- “.wmxd” for WiMAX
- “.wmxe” for Mobile WiMAX
- “.vna” for Cable & Antenna
- “.cdma” for CDMA
- “.tds” for TDSCDMA
- “.evdo” for EVDO
- “.ia” for Interference Analysis
- “.cs” for Channel Scanner
- “.pm” for Power Meter
- “.lte” for LTE Analyzer
- “.tdlte” for TD-LTE Analyzer

Parameter: <integer>, <file name>

Example: To recall trace with file name “trace”:

```
:MMEMory:LOAD:TRACe 1, "trace.spa"
```

Related Command: :MMEMory:STORe:TRACe
:MMEMory:STORe:TRACe
:MMEMory:MSIS INTernal|USB

Front Panel Access: Shift-7 (File), Recall, Recall Measurement

:MMEMory:MSIS INTernal|USB**:MMEMory:MSIS?**

Title: Storage Location

Description: Sets the storage location. Setting the storage location to INTernal will set the current storage location to be the internal memory. Setting the storage location to USB will set the current storage location to be the USB Flash drive. Note that changing the current location to save files causes the “Copy to Destination” on the front panel to be automatically changed if the selected current location is the same as the destination. When the change occurs, the instrument will cycle through each of the available storage locations. For example, if “Copy to Destination” is on USB and the “Current Location” is changed to USB, “Copy to Destination” will cycle to INTernal. Note that the storage location must be available in order for it to be set.

Parameter: INTernal|USB

Parameter Type: <char>

Related Command: :MMEMory:MSIS:DESTination

Front Panel Access: Shift-7 (File), Directory Management, Current Location

:MMEMory:MSIS:COPY

Title: Copy From Current Location To Destination

Description: Copies all measurements, setups and jpg files stored in the current storage location to the “copy to destination” location.

Related Command: :MMEMory:MSIS
:MMEMory:MSIS:DESTination

Front Panel Access: Shift-7 (File), Directory Management, Copy From Current Location To Destination

:MMEMory:MSIS:DESTination INTernal|USB**:MMEMory:MSIS:DESTination?**

Title: Copy to Destination

Description: Sets the destination to where measurements and setups in the current storage location are copied. Setting the location to INTernal will result in copying the files that are stored at the current storage location to the internal memory when the command :MMEMory:MSIS:COPY is sent. Setting the location to USB will result in copying the files that are stored at the current storage location to the USB Flash drive when the command :MMEMory:MSIS:COPY is sent. Setting the location to USB will result in copying the files that are stored at the current storage location to the USB Flash drive when the command :MMEMory:MSIS:COPY is sent. Note that changing the destination to which the instrument will copy files, will automatically changed the “Current Location” on the front panel if the current location is the same as the selected copy to destination.

Parameter: INTernal|USB

Parameter Type: <char>

Related Command: :MMEMory:MSIS
:MMEMory:MSIS:COPY

Front Panel Access: Shift-7 (File), Directory Management, Copy To Destination

:MMEMory:STORe:JPEg <file name>

Title: Save Screen as JPEG

Description: Saves the current screen measurement as a jpeg file. This will save the screen as a jpeg file specified by <file name> with the extension .jpg to the current storage location. <file name> should be enclosed in either single quotes (') or double quotes (") and should not contain a file extension. Use the command MMEMory:MSIS to set the current storage location.

Parameter: <file name>

Example: To save the screen into the file name "trace":

```
:MMEMory:STORe:JPEg "trace"
```

Related Command: :MMEMory:DATA?
:MMEMory:MSIS INTernal|USB

Front Panel Access: Shift-7 (File), Save, Save Screen as JPEG

:MMEMory:STORe:STATe <integer>,<file name>

Title: Save Setup

Description: Stores the current setup into the file specified by <file name>. <file name> should be enclosed in either single quotes (') or double quotes (") and should not contain a file extension. Use the command MMEMory:MSIS to set the current storage location. The <integer> parameter is not currently used, but it must be sent. Send a value of 0.

Parameter: <integer>, <file name>

Related Command: :MMEMory:LOAD:STATe
:MMEMory:MSIS INTernal|USB

Front Panel Access: Shift-7 (File), Save, Save Setup

:MMEMory:STORe:TRACe <integer>,<file name>

Title: Save Measurement

Description: Stores the trace into the file specified by <file name>. <file name> should be enclosed in either single quotes (') or double quotes (") and should not contain a file extension. Use the command MMEMory:MSIS to set the current storage location. The <integer> parameter is not currently used, but it must be sent. Send a 0.

Parameter: <integer>, <file name>

Example: To save the trace into the file name "trace":

```
:MMEMory:STORe:TRACe 0,"trace"
```

Related Command: :MMEMory:LOAD:TRACe
:MMEMory:MSIS INTernal|USB

Front Panel Access: Shift-7 (File), Save, Save Measurement

3-3 :STATus Subsystem

The commands in this subsystem relate to the current operating state of the instrument.

:STATus:OPERation?

Title: Query Operation Status

Description: This command requests information about the current status of the instrument. Each bit of the return value represents some operation. Only a subset of the bits are implemented for each application. The number returned is the decimal representation of the bit-wise OR of the enabled bits:

Bit	Decimal Value	Description
0	1	Not implemented
1	2	Not implemented
2	4	Not implemented
3	8	Not implemented
4	16	Not implemented
5	32	Not implemented
6	64	Not implemented
7	128	Not implemented
8	256	Sweep Complete

This bit is set to 0 when the command :INITiate[:IMMEDIATE] is sent to trigger a sweep. It will have a value of 1 when the sweep has completed.

9	512	Not implemented
10	1024	Not implemented
11	2048	Not implemented
12	4096	Not implemented
13	8192	Not implemented
14	16384	Not implemented
15	0	Will always be 0

3-4 :SYSTem Subsystem

This subsystem contains commands that affect instrument functionality that does not directly relate to data collection, display or transfer.

:SYSTem:OPTions?

Title: Query Installed Options

Description: Returns a string of the installed options. Options are separated by a “/”. The string will return “NONE” if no options are installed.

Related Command: *IDN?

:SYSTem:PRESet

Title: Preset

Description: This command restores all application parameters to their factory preset values. This does not modify system parameters such as Ethernet configuration, language, volume or brightness.

Related Command: *RST

Front Panel Access: Shift-1 (Preset), Preset

Chapter 4 — Cable & Antenna Commands

4-1 :CALCulate Subsystem

The commands in this subsystem process data that has been collected via the SENSE subsystem.

:CALCulate:LIMit:ALARm OFF|ON|0|1
:CALCulate:LIMit:ALARm?

Title: Limit Alarm

Description: Enables/disables the currently active limit line alarm. Setting the value to ON or 1 will turn on the limit alarm. Setting the value to OFF or 0 will turn off the limit alarm. The query version of the command returns a 1 if the currently selected limit line alarm is set to ON and returns 0 if OFF. Use :CALCulate:LIMit:TYPE to set the currently active limit line.

Parameter: OFF|ON|0|1

Parameter Type: <boolean>

Default Value: OFF

Example: To turn off limit alarm:

```
:CALCulate:LIMit:ALARm OFF  
:CALCulate:LIMit:ALARm 0
```

To turn on limit alarm:

```
:CALCulate:LIMit:ALARm ON  
:CALCulate:LIMit:ALARm 1
```

Related Command: :CALCulate:LIMit:TYPE

Front Panel Access: Shift-6 (Limit), Limit Alarm

:CALCulate:LIMit:CLEAr

Title: Clear Selected Limit

Description: Deletes all limit points for the currently active limit line. The current selected limit line can be modified by using the :CALCulate:LIMit:TYPE command.

Default Value: OFF

Related Command: :CALCulate:LIMit:TYPE

Front Panel Access: Shift-6 (Limit), Clear Limit

:CALCulate:LIMit:POINT:ADD

Title: Add Limit Point

Description: Adds a new limit point to the currently active limit line. Use :CALCulate:LIMit:TYPE to set the currently active limit line.

Related Command: :CALCulate:LIMit:TYPE

Front Panel Access: Shift-6 (Limit), Limit Edit, Add Point

:CALCulate:LIMit:POINt:FREQuency <freq>

:CALCulate:LIMit:POINt:FREQuency?

Title: Limit Point Frequency

Description: Sets the limit point frequency of the current selected limit. Use :CALCulate:LIMit:TYPe to set the currently active limit line.

Parameter: <freq>

Default Unit: Hz

Related Command: :CALCulate:LIMit:TYPe

Front Panel Access: Shift-6 (Limit), Limit Edit, Frequency

:CALCulate:LIMit:POINt:VALue <value>

:CALCulate:LIMit:POINt:VALue?

Title: Limit Point Value

Description: Sets the limit point value of the current selected limit. The <value> parameter is the limit point value in dB or time units for group delay. Use :CALCulate:LIMit:TYPe to set the currently active limit line.

Parameter: <value>

Default Unit: Current active value unit.

Related Command: :CALCulate:LIMit:TYPe

Front Panel Access: Shift-6 (Limit), Limit Edit, Value

:CALCulate:LIMit:POINt?

Title: Number of Limit Points

Description: Returns the number of points currently in the selected limit line. Use :CALCulate:LIMit:TYPe to set the currently active limit line.

Related Command: :CALCulate:LIMit:TYPe

:CALCulate:LIMit:VALue <value>

:CALCulate:LIMit:VALue?

Title: Move Limit

Description: Sets the currently active limit line value. This command moves an entire single or multi-segment limit line up or down by the given <value>. This command is equivalent to the command :CALCulate:LIMit:Y. Use :CALCulate:LIMit:TYPe to set the currently active limit line.

Parameter: <value>

Default Unit: Current active value unit.

Related Command: :CALCulate:LIMit:Y
:CALCulate:LIMit:TYPe

Front Panel Access: Shift-6 (Limit), Limit Edit, Amplitude

:CALCulate:LIMit[:STATe] OFF|ON|0|1

:CALCulate:LIMit[:STATe]?

Title: Limit State

Description: Turns the currently selected limit line (upper or lower) ON or OFF. If the value is set to ON or 1, the currently selected limit line is ON. If the value is set to OFF or 0, the currently selected limit line is OFF. The query version of the command returns a 1 if the currently selected limit line is ON and returns a 0 if OFF. Use :CALCulate:LIMit:TYPE to set the currently active limit line.

Parameter: OFF|ON|0|1

Parameter Type: <boolean>

Default Value: OFF

Example: To turn on the currently selected limit line:

```
:CALCulate:LIMit ON
:CALCulate:LIMit:STATe ON
:CALCulate:LIMit:STATe 1
```

To turn off the currently selected limit line:

```
:CALCulate:LIMit OFF
:CALCulate:LIMit:STATe 0
:CALCulate:LIMit 0
```

Front Panel Access: Shift-6 (Limit), On/Off

:CALCulate:MARKer:AOFF

Title: Turn All Markers Off

Description: Turns off all markers.

Front Panel Access: Marker, All Markers Off

:CALCulate:MARKer:TABLE:DATA?

Title: Marker Table Data

Description: Reports marker information similar to the Marker table. The response begins with an ASCII header. The header specifies the number of following bytes. It looks like #AX, where A is the number of digits in X and X is the number of bytes that follow the header. Parameters are returned in comma-delimited ASCII format. Each parameter is returned as "NAME=VALUE[UNITS]."

Parameter Name	Description
MKR_REFx	Reference marker state
MKR_DLTx	Delta marker state.
MKR_REF_FREQNx	Reference marker x frequency
MKR_DLT_FREQNx	Delta marker x frequency
MKR_REF_AMPLy	Reference marker y-axis
MKR_DLT_AMPL	Delta marker y magnitude.
x = marker 1 to 6.	

Front Panel Access: Marker, Marker Table On

:CALCulate:MARKer:TABLE[:STATe] OFF|ON|0|1

:CALCulate:MARKer:TABLE[:STATe]?

Title: Marker Table State

Description: Turns the Marker Table on or off. Setting the value to ON or 1 will turn on the marker table. Setting the value to OFF or 0 will turn off the marker table.

Parameter: OFF|ON|0|1

Parameter Type: <boolean>

Default Value: OFF

Example: To turn on marker table:

```
:CALCulate:MARKer:TABLE ON
:CALCulate:MARKer:TABLE 1
```

Front Panel Access: Marker, Marker Table

:CALCulate:MARKer{1|2|3|4|5|6}:DELTA:X <x-parameter>

:CALCulate:MARKer{1|2|3|4|5|6}:DELTA:X?

Title: Delta Marker X Value

Description: Sets the location of the delta marker on the x-axis at the specified location <x-parameter> + the reference marker x-axis. <x-parameter> is defined in the current x-axis units. The query version of the command returns the location of the delta marker on the x-axis.

Parameter: <x-parameter>

Default Unit: Current x-axis unit

Example: If both the reference and delta marker #1 is currently at 1 GHz on the x-axis, send the command below to set the delta marker #1 to 2 GHz on the x-axis:

```
:CALCulate:MARKer1:DELTA:X 1GHz
```

(In zero span) If both the reference and delta marker #1 is currently at 25 us on the x-axis, send the command below to set the delta marker to 50us on the x-axis:

```
:CALCulate:MARKer1:DELTA:X 25us
```

Related Command: :CALCulate:MARKer[1|2|3|4|5|6]:X

Front Panel Access: Marker, Delta

:CALCulate:MARKer{1|2|3|4|5|6}:DELTA:Y?

Title: Delta Marker Read Y Value

Description: Reads the current Y value for the specified delta marker. The units are the units of the y-axis.

Default Unit: Current y-axis unit

:CALCulate:MARKer{1|2|3|4|5|6}:DELTA[:STATE] OFF|ON|0|1
:CALCulate:MARKer{1|2|3|4|5|6}:DELTA[:STATE]?

Title: Delta Marker State

Description: Sets the specified delta marker on or off.

Parameter: OFF|ON|0|1

Parameter Type: <boolean>

Default Value: OFF

Example: To turn on delta marker #3:

```
:CALCulate:MARKer3:DELTA ON
:CALCulate:MARKer3:DELTA 1
:CALCulate:MARKer3:DELTA:STATE ON
:CALCulate:MARKer3:DELTA:STATE 1
```

To turn off delta marker #6

```
:CALCulate:MARKer6:DELTA OFF
:CALCulate:MARKer6:DELTA:STATE OFF
:CALCulate:MARKer6:DELTA:STATE 0
```

Front Panel Access: Marker, Delta

:CALCulate:MARKer{1|2|3|4|5|6}:MAXimum

Title: Marker (Maximum) Peak Search

Description: Puts the specified marker at the maximum amplitude in the trace.

Front Panel Access: Marker, [Marker 1/2/3/4/5/6,] Peak Search

:CALCulate:MARKer{1|2|3|4|5|6}:MINimum

Title: Marker (Minimum) Valley Search

Description: Puts the specified marker at the minimum value in the trace.

Related Command: :CALCulate:MARKer[1|2|3|4|5|6]:VALley

Front Panel Access: Marker, [Marker 1/2/3/4/5/6,] Valley Search

:CALCulate:MARKer{1|2|3|4|5|6}:PEAK

Title: Marker Peak Search

Description: Puts the specified marker at the maximum value in the trace.

Related Command: :CALCulate:MARKer[1|2|3|4|5|6]:MAXimum

Front Panel Access: Marker, [Marker 1/2/3/4/5/6,] Peak Search

:CALCulate:MARKer{1|2|3|4|5|6}:VALley

Title: Marker Valley Search

Description: Puts the specified marker at the minimum value in the trace.

Related Command: :CALCulate:MARKer[1|2|3|4|5|6]:MINimum

Front Panel Access: Marker, [Marker 1/2/3/4/5/6,] Valley Search

:CALCulate:MARKer{1|2|3|4|5|6}:X <x-parameter>

:CALCulate:MARKer{1|2|3|4|5|6}:X?

Title: Marker X Value

Description: Sets the location of the marker on the x-axis at the specified location. <x-parameter> is defined in the current x-axis units. The query version of the command returns the location of the marker on the x-axis. Note that the marker is snapped to the data point closest to the specified value. If the specified marker is not on it is set to on.

Parameter: <x-parameter>

Default Unit: Current x-axis unit

Example: To set reference marker #2 to 5 hertz on the x-axis:

```
:CALCulate:MARKer2:X 5
:CALCulate:MARKer2:X 5Hz
```

To set reference marker #1 to 1.5 GHz on the x-axis:

```
:CALCulate:MARKer:X 1.5GHz
:CALCulate:MARKer1:X 1.5GHz
```

(In zero span) To set reference marker #3 to 1.5 seconds on the x-axis:

```
:CALCulate:MARKer3:X 1.5
:CALCulate:MARKer3:X 1.5s
```

(In zero span) To set reference marker #1 to 25 us:

```
:CALCulate:MARKer:X 25us
:CALCulate:MARKer1:X 25us
```

Front Panel Access: Marker, [Marker 1/2/3/4/5/6]

:CALCulate:MARKer{1|2|3|4|5|6}:Y?

Title: Marker Read Y Value

Description: Reads the current Y value for the specified marker. The units are the units of the y-axis.

Default Unit: Current y-axis unit

:CALCulate:MARKer{1|2|3|4|5|6}[:STATE] OFF|ON|0|1

:CALCulate:MARKer{1|2|3|4|5|6}[:STATE]?

Title: Marker State

Description: Sets the specified marker on/off. If no marker is specified in {1|2|3|4|5|6}, then marker defaults to 1.

Parameter: OFF|ON|0|1

Parameter Type: <boolean>

Default Value: OFF

Example: To turn off reference marker #1:

```
:CALCulate:MARKer1:STATE OFF
```

Front Panel Access: Marker, On/Off

:CALCulate:MATH:FUNCTION NORMAL|ADD|SUBTRACT**:CALCulate:MATH:FUNCTION?**

Title: Trace Math Function

Description: Sets math operations on the currently selected measurement and the trace stored in memory. Note that there MUST be a trace stored in Memory. Setting the FUNCTION to NORMAL is equivalent of setting the Trace Math to “No Trace Math” on the front panel. Setting the FUNCTION to ADD is equivalent of setting the Trace Math to “Trace Plus Memory” on the front panel. Setting the FUNCTION to SUBTRACT is equivalent to setting the Trace Math to “Trace Minus Memory” on the front panel. The query version of the command returns the string “NORM” for no trace math, returns the string “ADD” for trace plus memory, and returns the string “SUBT” for trace minus memory.

Parameter: NORMAL|ADD|SUBTRACT

Parameter Type: <char>

Default Value: NORMAL

Range: NORMAL|ADD|SUBTRACT

Related Command: :CALCulate:MATH:MEMorize

Front Panel Access: Shift-5 (Trace)

:CALCulate:MATH:MEMorize

Title: Trace To Memory

Description: Copies the current measurement trace into memory.

Front Panel Access: Shift-5 (Trace), Copy Trace To Display Memory

:CALCulate:MATH:OVERlay ON|OFF

Title: Trace Overlay On/Off

Description: Turns trace stored in memory on or off.

Front Panel Access: Shift-5 (Trace), Trace Overlay

:CALCulate:SMOothing <integer>**:CALCulate:SMOothing?**

Title: Smoothing

Description: Sets the smoothing percentage. The query form of the command returns the current smoothing percentage.

Parameter: <integer>

Parameter Type: <integer>

Default Value: 0

Default Unit: %

Range: 0 to 10

Front Panel Access: Shift-3 (Sweep), Averaging/Smoothing, Smoothing %

:CALCulate:TRANSform:CLAVerage?

Title: Cable Loss Average

Description: Reports the cable loss average.

Default Value: 1 dB

Default Unit: dB

**:CALCulate:TRANSform:DISTance:CABLoss
:CALCulate:TRANSform:DISTance:CABLoss?**

Title: Cable Loss

Description: Sets the cable loss for DTF measurements.

Default Value: 0

Range: 0.0 to 5

Front Panel Access: Freq/Dist, Cable Loss

:CALCulate:TRANSform:DISTance:DMAX?

Title: Distance Maximum

Description: Reports the maximum horizontal distance that can be analyzed in DTF. Note that the unit return is based on the current distance units.

Default Value: MT8221B: 9.13 m

MT8222B: 5.87 m

Default Unit: Meters (m)

Range: 0.0 m to 1500 m

:CALCulate:TRANSform:DISTance:FRESolution?

Title: Fault Resolution

Description: Reports the system's ability to separate two closely spaced discontinuities in DTF measurements. Note that the return value is based on the current distance units.

Default Value: MT8221B: 0.03 m

MT8222B: 0.02 m

Default Unit: Meters (m)

Range: 0.0 m to 1500 m

**:CALCulate:TRANSform:DISTance:PVELocity
:CALCulate:TRANSform:DISTance:PVELocity?**

Title: Propagation Velocity

Description: Sets the propagation velocity of the cable for DTF measurements.

Default Value: 0.8

Range: 0.001 to 1.0

Front Panel Access: Freq/Dist, Prop Velocity

:CALCulate:TRANSform:DISTance:START
:CALCulate:TRANSform:DISTance:START?

Title: Start Distance

Description: Sets the start distance for DTF measurements.

Default Value: 0.0 m

Default Unit: Meters (m)

Range: 0.0 m to 1000.0 m

Front Panel Access: Freq/Dist, Start Dist

:CALCulate:TRANSform:DISTance:STOP
:CALCulate:TRANSform:DISTance:STOP?

Title: Stop Distance

Description: Sets the stop distance for DTF measurements.

Default Value: 1000.0 m

Default Unit: Meters (m)

Range: 0.0 m to 1000.0 m

Front Panel Access: Freq/Dist, Stop Dist

:CALCulate:TRANSform:DISTance:UNIT METers | FEET
:CALCulate:TRANSform:DISTance:UNIT?

Title: Distance Units

Description: Sets the units to be used for DTF measurements.

Parameter: METers | FEET

Parameter Type: <char>

Default Value: Meters

Range: METers | FEET

Front Panel Access: Shift-8 (System), Application Options, Units

:CALCulate:TRANSform:DISTance:WINDOW RECTangular | MSLObe | NSLObe | LSLobe
:CALCulate:TRANSform:DISTance:WINDOW?

Title: Windowing

Description: Sets the windowing for DTF measurements. Available types are Rectangular, Nominal Side Lobe, Low Side Lobe and Minimum Side Lobe.

Parameter: RECTangular | MSLObe | NSLObe | LSLobe

Parameter Type: <char>

Default Value: Rectangular

Range: RECTangular | MSLObe | NSLObe | LSLobe

Front Panel Access: Freq/Dist, Next, DTF Setup, Windowing

4-2 :CALibration Subsystem

This subsystem controls the system calibration.

:CALibration:STATe?

Title: Calibration State

Description: Reports the calibrated state. This command returns a 1 if the instrument has been calibrated with discrete Open, Short, and Load components and returns 0 if the instrument has not been calibrated.

Default Value: OFF

Related Command: [:SENSe]CORRection:COLL:LOAD
[:SENSe]CORRection:COLL:OPEN
[:SENSe]CORRection:COLL:SHORT
[:SENSe]CORRection:COLL:THRU

4-3 :CONFigure Subsystem

This set of commands prepares the instrument for the selected measurement. It disables any currently-enabled measurements and activates the specified measurement. It sets the instrument to single sweep mode, waiting for an :INITiate command. It will not initiate the taking of a measurement.

Current instrument settings may be changed to default values. These changes are identified with their respective measurement commands.

:CONFigure:MEASure:RLDTf

Title: Configure DTF Return Loss

Description: Changes the Cable & Antenna measurement to DTF Return Loss.

Related Command: :CONFigure:MEASure:MENU

Front Panel Access: Shift-4 (Measure), DTF Return Loss

:CONFigure:MEASure:RLFReq

Title: Configure Return Loss

Description: Changes the current measurement to Return Loss.

Related Command: CONFigure:MEASure:MENU

Front Panel Access: Shift-4 (Measure), Return Loss

:CONFigure:MEASure:1PHase

Title: Configure 1-Port Phase Measurement

Description: Changes the current measurement to 1-Port Phase.

Related Command: :CONFigure:MEASure:MENU

Front Panel Access: Shift-4 (Measure), More, 1-Port Phase

:CONFigure:MEASure:SMCHart

Title: Configure Smith Chart

Description: Changes the measurement to Smith Chart.

Related Command: :CONFigure:MEASure:MENU

Front Panel Access: Shift-4 (Measure), More, Smith Chart

:CONFigure:MEASure:SWRDtf

Title: Configure DTF VSWR

Description: Changes the measurement to DTF VSWR.

Related Command: :CONFigure:MEASure:MENU

Front Panel Access: Shift-4 (Measure), VSWR Fault Location

4-4 :DISPlay Subsystem

This subsystem provides commands that modify the display of data for the user. They do not modify the way in which data are returned to the controller.

:DISPlay:WINDow:TRACe:MEMory[:STATe] OFF|ON|0|1

:DISPlay:WINDow:TRACe:MEMory[:STATe]?

Title: Display Trace from Memory

Description: Enables/disables displaying the memory trace. Setting the value to ON or 1 will result in displaying the trace in memory.

Parameter: OFF|ON|0|1

Parameter Type: <boolean>

Default Value: OFF

Front Panel Access: Shift-5 (Trace), Trace Overlay

:DISPlay:WINDow:TRACe:Y[:SCALE]:AUToscale

Title: Autoscale

Description: Autoscales the active channel display so that the trace is shown in the middle of the display.

Front Panel Access: Amplitude, Autoscale

:DISPlay:WINDow:TRACe:Y[:SCALE]:BOTTom <value>

Title: Scale Bottom level.

Description: Sets the Bottom value for the current graph. This command is invalid for Smith charts.

Default Unit: Current active amplitude unit

Range: Log Magnitude: 0 dB to 60 dB

Phase: -180 degree to 90 degree

VSWR: 1 to 65

DTF RL: 0 dB to 60 dB

DTF VSWR: 1 to 65

S21 Log Magnitude: 0.1 dB to 25 dB

S21 Phase: 0.1 degree to 90 degree

Front Panel Access: Amplitude, Bottom.

:DISPlay:WINDow:TRACe:Y[:SCALE]:PDIVision <value>

:DISPlay:WINDow:TRACe:Y[:SCALE]:PDIVision?

Title: Scale Resolution Per Division

Description: Sets the scale per division for the y-axis. For Phase, set the scale (degree/division) for the y-axis. For all other measurement modes, set the scale (dB/division). The resolution per division value is maintained separately for each measurement. This command is invalid for Smith charts.

Parameter: <value>

Default Value: Return Loss: 6 dB
 Phase: 45 degree
 VSWR: 9.1
 Log Magnitude Fault Location: 6 dB
 VSWR Fault Location: 9.1
 S21 Log Magnitude: 22 dB

Default Unit: Current active amplitude unit

Range: S11 Log Magnitude: 0 dB to 60 dB
 Phase: -180 degree to 90 degree
 VSWR: 1 to 65
 S11 DTF RL: 1 dB to 10 dB
 DTF VSWR: 1 to 10
 S21 Log Magnitude: 0.1 dB to 25 dB
 S21 Phase: 0.1 degree to 90 degree

:DISPlay:WINDow:TRACe:Y[:SCALE]:TOP <value>

Title: Scale Top level.

Description: Sets the Top value for the current graph. This command is invalid for Smith charts.

Default Unit: Current active amplitude unit

Range: Log Magnitude: 0 dB to 60 dB
 Phase: -180 degree to 90 degree
 VSWR: 1 to 65
 DTF RL: 0 dB to 60 dB
 DTF VSWR: 1 to 65
 S21 Log Magnitude: 0.1 dB to 25 dB
 S21 Phase: 0.1 degree to 90 degree

Front Panel Access: Amplitude, Top.

:DISPlay:WINDow:TRACe:Y[:SCALE]:SMCHart 0|10|20|30|-3

:DISPlay:WINDow:TRACe:Y[:SCALE]:SMCHart?

Title: Smith Chart Scalable Type

Description: Sets the Smith chart display scale type. Setting the value to 0 is equivalent of setting the Smith Chart scale to “Normal” on the front panel. Setting the value to 10 is equivalent of setting the Smith Chart scale to “Expand 10dB” on the front panel. Setting the value to 20 is equivalent of setting the Smith Chart scale to “Expand 20dB” on the front panel. Setting the value to 30 is equivalent of setting the Smith Chart scale to “Expand 30dB” on the front panel. Setting the value to -3 is equivalent of setting the Smith Chart scale to “Compress 3dB” on the front panel.

Parameter: 0|10|20|30|-3

Default Value: Normal

Default Unit: Current active amplitude unit

Range: 0|10|20|30|-3

Front Panel Access: Measurement, S11 Reflection, Smith Chart, Scale

4-5 :FORMat Subsystem

This subsystem contains commands that determine the formatting of numeric data when it is transferred.

The format setting affects data in specific commands only. If a command is affected, it is noted in the command description.

```
:FORMat[:READings][:DATA] ASCii|INTeger,32|REAL,32  
:FORMat[:READings][:DATA]?
```

Title: Numeric Data Format

Description: This command specifies the format in which data is returned in certain commands.

ASCii format returns the data in comma-separated ASCII format. The units are the current instrument units. This format requires many more bytes so it is the slowest format. INTeger,32 values are signed 32-bit integers in little-endian byte order. This format returns the data in 4-byte blocks.

The units are always mdBm. For example, if the measured result was -12.345 dBm, that value would be sent as -12345.) REAL,32 values are 32-bit floating point numbers conforming to the IEEE 754 standard in little-endian byte order. This format returns the data in 4-byte binary format. The units are the current instrument units.

Both INTeger,32 and REAL,32 formats return a definite block length. Each transfer begins with an ASCII header such as #42204. The first digit represents the number of following digits in the header (in this example, 4). The remainder of the header indicates the number of bytes that follow the header (in this example, 2204). You then divide the number of following bytes by the number of bytes in the data format you've chosen (4 for both INTeger,32 and REAL,32) so 2204/4 to get the number of data points (in this example, 551).

Parameter: ASCii|INTeger,32|REAL,32

Parameter Type: <char>

Default Value: ASCii

Related Command: :TRACe[:DATA]

Interpreting Returned Data Pair

The following section provides two conversion examples on interpreting returned data pairs. Examples are provided for both integer and real number formats.

Converting INTeger,32 and REAL,32 Values

- For a 551 point trace, the instrument returns 4415 bytes.
 - The first 7 bytes make up the “header” information in ASCII format.
 - The next 4408 bytes make up the actual data (8 bytes x 551 datapoints = 4408 total bytes).
- Each datapoint consists of 8 bytes.
 - The first 4 bytes are the real component
 - The next 4 bytes are the imaginary component.
- The returned value is in little endian format (the little end comes first).
- Negative numbers are represented in two’s compliment format.
- The data is scaled by a factor of 1e6.

Converting INTeger,32 Example:

The instrument returns the following S11 RL data point in INT,32 format:

4d 15 fc ff [real], ef a2 f8 ff [imag]

1. Convert from little endian to big endian:
ff fc 15 4d [real], ff f8 a2 ef [imag]
2. Since the MSb in both components is 1, they are negative numbers.
3. The binary representation is:
1111111111111000001010101001101 [real], 11111111111110001010001011101111 [imag]
4. Convert from two’s complement (not the bits and add 1):
1111101010101110011 [real], 1110101110100010001 [imag]
5. Convert the binary values to decimal:
256691 [real], 482577 [imag]
6. Take out the 1e6 scale factor:
0.256691 [real], 0.482577 [imag]
7. Finally, convert the values to dB:
 $10 \cdot \log(0.256691^2 + 0.482577^2) = -5.25 \text{ dB}$

Converting REAL,32 Example:

The instrument returns the following values in REAL,32 format:

00 31 2a 47 [real], 00 e8 6a c6 [imag]

1. Convert from little endian to big endian:

47 2a 31 00 [real], c6 6a e8 00 [imag]

2. The binary representation of the real portion, 47 2a 31 00 is:

01000111 00101010 01110001 00000000

3. Binary is in IEEE format:

- 1st bit is sign bit
- next 8 bits are exponent
- next 23 bits are normalized value

4. Convert binary to decimal:

0, the MSb is the sign bit

10001110, exponent. The actual exponent value is this value minus 127. So, it is $142 - 127 = 15$.

0101010 01110001 00000000 (as normalized value) and adding 1 and multiplying by 2^{exponent} results in $1 + (0/2 + 1/4 + 0/8 + 1/16 + 0/32 + 1/64 + \dots) * 2^{15} = 43520$ (approx.)

5. Repeat steps 2 through 4 for the imaginary portion.

c6 6a e8 00 in binary is 11000110 01101010 11101000 00000000

The MSb is the sign bit

The next 8 bits is the exponent, which is 10001100. The actual value is $140 - 127 = 13$

Converting the remaining bits and multiplying by exponent and accounting for sign, results in $-(1 + (1/2 + 1/4 + 0/8 + 1/16 + 0/32 + 1/64 + \dots) * 2^{13}) = -14976$ (approx).

6. Take out the 1e6 scale factor from both parts:

.043520 [real], -.014976 [imag]

7. Finally, convert the values to dB:

$$10 * \log((.043520)^2 + (-.014976)^2) = -26.7401848 \text{ dB}$$

4-6 :INITiate Subsystem

This subsystem controls the triggering of measurements.

:INITiate:CONTinuous OFF|ON|0|1

:INITiate:CONTinuous?

Title: Continuous/Single Sweep

Description: Specifies whether the sweep/measurement is triggered continuously. If the value is set to ON or 1, another sweep/measurement is triggered as soon as the current one completes. If continuous is set to OFF or 0, the instrument enters the “idle” state and waits for the :INITiate[:IMMediate] command or for :INITiate:CONTinuous ON. The default value is ON. That is, sending :INIT:CONT is equivalent to sending :INIT:CONT ON. The query version of the command returns a 1 if the instrument is continuously sweeping/measuring and returns a 0 if the instrument is in single sweep/measurement mode. Note that rapid toggling between ON and OFF is not allowed. The instrument must be allowed to make a full sweep before toggling can be done. Note that the set command is available only if the instrument is in Cable & Antenna mode.

Parameter: OFF|ON|0|1

Parameter Type: <boolean>

Default Value: 0

Related Command: :INITiate[:IMMediate]
:INITiate:HOLD

Front Panel Access: Shift-3 (Sweep), Sweep Type

:INITiate:HOLD OFF|ON|0|1

:INITiate:HOLD?

Title: Hold Sweep

Description: Stops a sweep at its current measurement point. If the instrument is currently sweeping, setting a value of ON or 1, will pause the sweep. If the instrument is currently not sweeping, setting a value of OFF or 0, will resume sweeping. The query version of the command returns a 1 if the hold command is set and returns a 0 if a Run is set instead. Note that the set command is available only if the instrument is in Cable & Antenna mode.

Parameter: OFF|ON|0|1

Parameter Type: <boolean>

Default Value: ON

Front Panel Access: Shift-3 (Sweep), Run/Hold

:INITiate[:IMMEDIATE]

Title: Trigger Sweep/Measurement

Description: Initiates a sweep/measurement. If :INITiate:CONTinuous is set to ON, this command is ignored. Use this command in combination with :STATus:OPERation? to synchronize the capture of one complete set of data. When this command is sent, the “sweep complete” bit of :STATus:OPERation? is set to 0, indicating that the measurement has not completed. The data collection is then triggered. The controlling program can poll :STATus:OPERation? to determine the status. When the “sweep complete” bit is set to 1, data is ready to be retrieved.

Related Command: :INITiate:CONTinuous
:STATus:OPERation?

Front Panel Access: Shift-3 (Sweep), Trigger Sweep

4-7 :SOURce Subsystem

The commands in this subsystem controls the internal signal source.

:SOURce:POWer LOW|HIGH

:SOURce:POWer?

Title: Power Levels

Description: Sets the power levels for the 2-port measurements.

Parameter: LOW|HIGH

Parameter Type: <char>

Default Value: HIGH

Range: -35 dBm to 0 dBm

Front Panel Access: Shift-3 (Sweep), Output Power

4-8 :TRACe Subsystem

This subsystem contains commands related to the transfer of trace data to and from the instrument.

:TRACe:PREamble? [1]

Title: Trace Header Transfer

Description: Returns trace header information for the trace. Use the commands in the MMEMory subsystem to store and recall traces from the instrument memory. The response begins with an ASCII header. The header specifies the number of following bytes. It looks like #AX, where A is the number of digits in X and X is the number of bytes that follow the header. Parameters are returned in comma-delimited ASCII format. Each parameter is returned as "NAME=VALUE[UNITS]." Note that currently only Trace A header is retrieved. Valid parameters are shown in ["Cable & Antenna Parameter Names" on page 2-14.](#)

Parameter: [1]

Related Command: :TRACe:DATA

:TRACe[:DATA]? [1]

Title: Trace Data Query

Description: Transfers the current active trace data from the instrument to the controller. The format of the block data that is returned can be specified by the command :FORMat:DATA. The block data in the command form is always sent in ASCII format.

The response begins with an ASCII header that specifies the number of data bytes. It looks like #AX, where A is the number of digits in X and X is the number of bytes that follow the header. Each data point is separated by a comma delimiter. Except for the group delay, each data point consists of real and imaginary pair scaled by 10^6 . Thus for a 551 point trace there is a total of 1102 points.

Trace setup information can be acquired using :TRACe[:DATA]:PREamble?.

By default this command will return a 551 data points regardless of the data point setting. At 275 data points the values returned are paired and at 137 data points the values are in fours. To get the same number of data points as the data points setting, use the command :FORMat[:READings][:DATA]:DPoints to set whether the data returned should be based on the data points setting.

When in dual overlay mode, a second set of data is returned when no parameter is passed in with the query. The response starts with an ASCII header that is exactly like the one described above. The header will have the format #AX where A is the number of digits in X and X is the number of bytes that follow the header. When there are two sets of data, a second ASCII header will trail the first header. The second header will have the format \$AX where A is the number of digits in X and X is the number of bytes in the first set of data. The starting point of the second set of data can be found by subtracting the total byte size of the first set of data from the byte size located in the first header. For example, if the first header is #540000 and the second header is \$41000, the beginning of the second set of data is 40000(size of total packet size)-1000(size of first data set). Alternatively, the two headers can be skipped and after 551 points are read from the first set, the second set starts.

Parameter: [1]

Related Command: :FORMat[:READings][:DATA]
:FORMat[:READings][:DATA]:DPoints
:TRACe[:DATA]:PREamble?

4-9 [:SENSE] Subsystem

The commands in this subsystem relate to device-specific parameters, not signal-oriented parameters.

[:SENSE]:AVERage:CLEar

Title: Restart Averaging

Description: Clears and restarts averaging of the measurement data. Note that averaging state must be ON for averaging to restart.

Related Command: [:SENSE]:AVERage[:STATe]

Front Panel Access: Shift-3 (Sweep), Averaging, Restart

[:SENSE]:AVERage:COUNT <integer>

[:SENSE]:AVERage:COUNT?

Title: Number of Traces to Average

Description: Sets the number of traces to average.

Parameter: <integer>

Parameter Type: <integer>

Default Value: 10

Range: 2 to 65535

Front Panel Access: Shift-3 (Sweep), Averaging, Averaging Factor

[:SENSE]:AVERage[:STATe] OFF|ON|0|1

[:SENSE]:AVERage[:STATe]?

Title: Averaging State

Description: Turns trace averaging ON or OFF. Setting the value to ON or 1 will result in turning trace averaging ON.

Parameter: OFF|ON|0|1

Parameter Type: <boolean>

Default Value: OFF

Front Panel Access: Shift-3 (Sweep), Averaging, Averaging

[:SENSE]:CORRection:COLLect:ABORt

Title: Calibration Abort

Description: Aborts the calibration measurement and restarts the current sweep and/or measurement.

Related Command: [:SENSE]:CORRection:COLLect:INITialize
[:SENSE]:CORRection:COLLect:OPEN
[:SENSE]:CORRection:COLLect:SHOR
[:SENSE]:CORRection:COLLect:THRU
[:SENSE]:CORRection:COLLect:LOAD

[:SENSe]:CORRection:COLLect:DUT:CONNector
NMAle|NFEMale|KMAle|KFEMale|716Male|716Female|TNCMale|TNCFemale|
SMAMale|SMAFemale|USR1|USR2
[:SENSe]:CORRection:COLLect:DUT:CONNector?

Title: DUT Connector Type

Description: Sets the DUT Connector type. The query version of the command returns the following connector type:

Return Value	Actual Name
NMAle	N Male
NFEMale	N Female
KMAle	K Male
KFEMale	K Female
716Male	7/16 Male
716Female	7/16 Female
TNCMale	TNC Male
TNCFemale	TNC Female
SMAMale	SMA or 3.5mm Male
SMAFemale	SMA or 3.55mm Female
USR1	User 1
USR2	User 2

Parameter: NMAle|NFEMale|KMAle|KFEMale|716Male|716Female|
TNCMale|TNCFemale|SMAMale|SMAFemale|USR1|USR2

Parameter Type: <char>

Default Value: N Male

Front Panel Access: Shift-2 (Calibrate), DUT Connector

[:SENSe]:CORRection:COLLect:DUT:USR{1|2}:C{0|1|2|3}
[:SENSe]:CORRection:COLLect:DUT:USR{1|2}:C{0|1|2|3}?

Title: DUT User 1/ User 2 Capacitance Coefficient Value

Description: Sets the DUT capacitance value for the specified coefficient and user. The query version of the command returns the DUT capacitance coefficient value for the specified user.

Default Value: 0

Range: -2000 to 2000

[:SENSe]:CORRection:COLLect:DUT:USR{1|2}:OPEN
[:SENSe]:CORRection:COLLect:DUT:USR{1|2}:OPEN?

Title: DUT User 1/ User 2 Open Value

Description: Sets the DUT open value for the specified user. The query version of the command returns the DUT open value for the given user.

Default Value: 0

Range: 0 to 1000

Front Panel Access: Shift-2 (Calibrate), Configure DUT User, Open

[:SENSe]:CORRection:COLLect:DUT:USR{1|2}:SHORT
[:SENSe]:CORRection:COLLect:DUT:USR{1|2}:SHORT?

Title: DUT User 1/ User 2 Short Value

Description: Sets the DUT short value for the specified user. The query version of the command returns the DUT short value for the given user.

Default Value: 0

Range: 0 to 1000

Front Panel Access: Shift-2 (Calibrate), Configure DUT User,Short

[:SENSe]:CORRection:COLLect:INITialize

Title: Calibration Initialize

Description: Shift-2 (Calibrate), Configure DUT User,Short Initiates the calibration process. This command must be issue before sending Open, Short, Load, or Thru commands. Use the query command [:SENSe]:CORRection:COLLect:STATus? to check if initialization has completed and that the next calibrate step can be proceeded.

Notes:

1. Once the calibration sequence has been initialized remotely, calibration steps must be completed remotely. To exit the calibration sequence before it is completed use the ABORt command.
2. During calibration Data Points is set to 551. Set to desired Data Points value after calibration is completed.

Related Command: [:SENSe]:CORRection:COLLect:STATus?
 [:SENSe]:CORRection:COLLect:OPEN
 [:SENSe]:CORRection:COLLect:SHORT
 [:SENSe]:CORRection:COLLect:LOAD
 [:SENSe]:CORRection:COLLect:ABORt

[:SENSe]:CORRection:COLLect:LOAD

Title: Calibration Load

Description: Starts the Load calibration measurement. This is the last calibration steps for 1-Port (OSL) and the third calibration steps for 2- Port (OSLT). Note that the Calibration Short process must be completed before calling this command. You must also connect the Load to the RF Out port (or to the end of the test port extension cable) prior to issuing this command. Use the query command [:SENSe]:CORRection:COLLect:STATus? to check if the Load calibration measurement has completed and that the next calibrate step can be proceeded.

Related Command: [:SENSe]:CORRection:COLLect:STATus?
 [:SENSe]:CORRection:COLLect:INITialize
 [:SENSe]:CORRection:COLLect:OPEN
 [:SENSe]:CORRection:COLLect:SHORT

[:SENSE]:CORREction:COLLect:METHOD:POWER LOW|HIGH

[:SENSE]:CORREction:COLLect:METHOD:POWER?

Title: Calibrate Power

Description: Set the calibrate power. Factory Preset / *RST High. LOW power is valid for 2-port calibration only.

Parameter: LOW|HIGH

Parameter Type: <char>

Front Panel Access: Shift-2 (Calibrate), Output Power

[:SENSE]:CORREction:COLLect:METHOD:TYPE 0|1

[:SENSE]:CORREction:COLLect:METHOD:TYPE?

Title: Calibrate Type

Description: Configures the calibrate type. If 1 is set then Calibration procedures consist of Open-Short-Load-Thru (OSLT) for 2-port. If 0 is set then Calibration procedures consist of Open-Short-Load (OSL) for 1-port. The query version of the command returns a 1 if the calibrate type is set to 2-Port and 0 if the calibrate type is set to 1-Port. Factory Preset / *RST 2-Port

Parameter: 0|1

Parameter Type: <boolean>

Front Panel Access: Shift-2 (Calibrate), Cal Type

[:SENSE]:CORREction:COLLect:OPEN

Title: Calibration Open

Description: Starts the Open calibration measurement. This is the first calibration step for both the 1-Port(Open-Short-Load) and 2-Port (Open-Short-Load-Thru) calibration. Note that the initialize step [:SENS]:CORR:COLL:INIT must be completed before calling this command. Note that you must connect the Open to the RF Out port (or to the end of the test port extension cable) before issuing this command. Use the query command [:SENSE]:CORREction:COLLect:STATus? to check if the Open calibration measurement has completed and that the next calibrate step can be proceeded.

Related Command: [:SENSE]:CORREction:COLLect:STATus?
[:SENSE]:CORREction:COLLect:INITialize,

[:SENSE]:CORREction:COLLect:SHORT

Title: Calibration Short

Description: Starts the Short calibration measurement. This is the second calibration step for both the 1-Port(Open-Short-Load) and 2-Port (Open-Short-Load-Thru) calibration. Note that the Calibration Open process must be completed before calling this command. You must also connect the Short to the RF Out port (or to the end of the test port extension cable) before issuing this command. Use the query command [:SENSE]:CORREction:COLLect:STATus? to check if the Short calibration measurement has completed and that the next calibrate step can be proceeded.

Related Command: [:SENSE]:CORREction:COLLect:STATus?
[:SENSE]:CORREction:COLLect:INITialize
[:SENSE]:CORREction:COLLect:OPEN
[:SENSE]:CORREction:COLLect:LOAD

[:SENSe]:CORRection:COLLect:STATus? [INITialize|OPEN|SHORT|LOAD|THRU]

Title: Calibration Status

Description: This command requests information about the current calibration step or the specified calibration step. If no calibration step is specified, it returns a 1 if the current calibration step has completed, otherwise it returns a 0. If INITIALIZED is specified, the command returns a 1 if the Initialize step has completed and returns a 0 if it has not been completed. If OPEN is specified, the command returns a 1 if the Open step has completed and returns a 0 if it has not been completed. If SHORT is specified, the command returns a 1 if the Short step has completed and returns a 0 if it has not been completed. If LOAD is specified, the command returns a 1 if the Load step has completed and returns a 0 if it has not been completed.

Parameter: INITialize | OPEN | SHORT | LOAD | THRU

Parameter Type: <char>

Range: INITialize | OPEN | SHORT | LOAD | THRU

Related Command: [:SENSe]:CORRection:COLLect:INITialize
[:SENSe]:CORRection:COLLect:OPEN
[:SENSe]:CORRection:COLLect:SHORT
[:SENSe]:CORRection:COLLect:LOAD

[:SENSe]:CORRection:COLLect:THRU

Title: Calibration Thru

Description: Starts the Thru Calibration measurement. This is the last calibration step for the 2-Port calibration type. Note that the Calibration Load process must be completed before calling this command. You must also connect the RF Out port to the RF In port, include any test port extension cables used in the Calibration Load step before issuing this command.

Related Command: [:SENSe]:CORRection:COLLect:INITialize
[:SENSe]:CORRection:COLLect:OPEN
[:SENSe]:CORRection:COLLect:SHORT
[:SENSe]:CORRection:COLLect:LOAD

[:SENSe]:CORRection:TYPE STANDARD|FLEX**[:SENSe]:CORRection:TYPE?**

Title: Calibration Type

Description: Set Calibration type - Standard, or Flex.

Parameter: STANDARD | FLEX

Parameter Type: <char>

Front Panel Access: Shift-2 (Calibrate), Cal Type

[:SENSe]:FREQuency:CABle <index>

Title: Cable Selection

Description: Sets the cable selection to the <index> in the cable list for the DTF measurement. Note that the command is available only if the instrument is in Cable & Antenna mode.

Parameter: <index>

Front Panel Access: Freq/Dist, Cable

[:SENSe]:FREQUENCY:LINK UPLINK|DOWNLINK|UPANDDWNLINK

[:SENSe]:FREQUENCY:LINK?

Title: Signal Standard Link

Description: Set "Link" signal standard parameter.

Parameter: UPLINK|DOWNLINK|UPANDDWNLINK

Parameter Type: <char>

Front Panel Access: Freq/Dist, Signal Standard, Uplink/DownLink/Uplink plus DownLink

[:SENSe]:FREQUENCY:START <freq>

[:SENSe]:FREQUENCY:START?

Title: Start Frequency

Description: Sets the start frequency. Note that in the spectrum analyzer, changing the value of the start frequency will change the value of the coupled parameters, Center Frequency and Span. Note that in Cable & Antenna mode, changing the value of the start frequency may affect the DTF distance range.

Parameter: <freq>

Default Value: 400 MHz

Default Unit: Hz

Range: MT8221B: 400 MHz to 4.0 GHz
MT8222B: 400 MHz to 6.0 GHz

Related Command: [:SENSe]:FREQUENCY:STOP?

Front Panel Access: Freq, Start Freq

[:SENSe]:FREQUENCY:STOP <freq>

[:SENSe]:FREQUENCY:STOP?

Title: Stop Frequency

Description: Sets the stop frequency. Note that in the spectrum analyzer, changing the value of the stop frequency will change the value of the coupled parameters, Center Frequency and Span. Note that in Cable & Antenna mode, changing the value of the start frequency may affect the DTF distance range. Note that the set command is available only if the instrument is in Cable & Antenna mode.

Parameter: <freq>

Default Value: MT8221B: 4.0 GHz
MT8222B: 6.0 GHz

Default Unit: Hz

Range: MT8221B: 400 MHz to 4.0 GHz
MT8222B: 400 MHz to 6.0 GHz

[:SENSe]:SWEep:RESolution LOW|MEDIum|HIGH

[:SENSe]:SWEep:RESolution?

Title: Sweep Resolution

Description: Sets the resolution of the sweep. Set value to LOW for 137 data points, MEDIum for 275 data points, and HIGH for 551 data points. The query version of this commands returns 137 for LOW sweep resolution, 275 for MEDIum sweep resolution, and 551 for HIGH sweep resolution. Note that a sweep with low resolution will complete in less time than a sweep with high resolution but will not contain as many data points.

Parameter: LOW|MEDIum|HIGH

Parameter Type: <char>

Default Value: HIGH (or for a query “551”)

Front Panel Access: Shift-3 (Sweep), Data Points

[:SENSe]:SWEep:RFIMmunity 0|1

[:SENSe]:SWEep:RFIMmunity?

Title: RF Immunity

Description: Sets RF Immunity. Set value to 1 for Low RF Immunity and 0 for High RF Immunity. Note that a sweep with RF immunity enabled will be slightly slower than a sweep with RF immunity disabled.

Parameter: 0|1

Parameter Type: <boolean>

Default Value: Low

Front Panel Access: Shift-3 (Sweep), RF Immunity

Chapter 5 — Spectrum Analyzer Commands

5-1 :ABORt Subsystem

The abort subsystem includes commands that allow the user to stop current measurement activities on the instrument.

:ABORt

Title: Abort

Description: Restarts the current sweep and/or measurement. Resets the trigger system. If :INITiate:CONTinuous is OFF (i.e. the instrument is in single sweep mode), send the command :INITiate[:IMMediate] to trigger the next sweep. If :INITiate:CONTinuous is ON (i.e. the instrument is in continuous sweep mode) a new sweep will start immediately.

Parameter: NA

Related Command: :INITiate:CONTinuous
:INITiate[:IMMediate]

5-2 :CALCulate Subsystem

The commands in this subsystem process data that has been collected via the SENSE subsystem.

:CALCulate:LIMit:ALARm OFF|ON|0|1

:CALCulate:LIMit:ALARm?

Title: Limit Alarm

Description: Enables/disables the currently active limit line alarm. Setting the value to ON or 1 will turn on the limit alarm. Setting the value to OFF or 0 will turn off the limit alarm. The query version of the command returns a 1 if the currently selected limit line alarm is set to ON and returns 0 if OFF. Use :CALCulate:LIMit:TYPE to set the currently active limit line.

Parameter: OFF|ON|0|1

Parameter Type: <boolean>

Default Value: OFF

Example: To turn off limit alarm:

```
:CALCulate:LIMit:ALARm OFF
:CALCulate:LIMit:ALARm 0
```

To turn on limit alarm:

```
:CALCulate:LIMit:ALARm ON
:CALCulate:LIMit:ALARm 1
```

Related Command: :CALCulate:LIMit:TYPE

Front Panel Access: Shift-6 (Limit), Limit Alarm

:CALCulate:LIMit:CENTer

Title: Move Limit to Current Center Frequency

Description: Moves the center of the current active limit line to the center frequency. If no limit line is turned on, a new flat default limit line is turned on.

Example: To move the limit to the current center:

```
:CALCulate:LIMit:CENTer
```

Front Panel Access: Shift-6 (Limit), Limit Move, Move Limit to Current Center Freq

:CALCulate:LIMit:ENVELOpe:CREate

Title: Create Limit Envelope

Description: Creates a limit envelope. This generates a limit line that formed a mask just above or below the existing signals. Note that this command will turn on the currently selected limit line if it is not already on. Use :CALCulate:LIMit:TYPE to set the currently active limit line.

Example: To create a limit envelope:

```
:CALCulate:LIMit:ENVELOpe:CREate
```

Front Panel Access: Shift-6 (Limit), Limit Envelope, Create Envelope

:CALCulate:LIMit:ENVELOpe:OFFSet <amplitude>

:CALCulate:LIMit:ENVELOpe:OFFSet?

Title: Limit Envelope Offset

Description: Sets limit envelope offset. This defines how far away from the measured signal the active limit envelope is placed. Use :CALCulate:LIMit:TYPE to set the currently active limit line.

Parameter: <amplitude>

Default Value: 3 dB for upper limit, -3 dB for lower limit

Default Unit: dB

Range: -100 dB to 100 dB

Example: To set the limit envelope offset to 5dB:

```
:CALCulate:LIMit:ENVELOpe:OFFSet 5
```

Front Panel Access: Shift-6 (Limit), Limit Envelope, Upper Offset (If limit is toggled to Upper)
Shift-6 (Limit), Limit Envelope, Lower Offset (If limit is toggled to Lower)

:CALCulate:LIMit:ENVELOpe:POINT <number>

:CALCulate:LIMit:ENVELOpe:POINT?

Title: Number of Limit Envelope Points

Description: Sets the number of inflection point for the currently active limit envelope. Use :CALCulate:LIMit:TYPE to set the currently active limit line.

Parameter: <number>

Default Value: 21

Range: 2 to 41

Example: To set the number of inflection point to 31:

```
:CALCulate:LIMit:ENVELOpe:POINT 31
```

Front Panel Access: Shift-6 (Limit), Limit Envelope, Upper Point (If limit is toggled to Upper)
Shift-6 (Limit), Limit Envelope, Lower Point (If limit is toggled to Lower)

:CALCulate:LIMit:ENVELOpe:SHAPE SQUARE|SLOPE

:CALCulate:LIMit:ENVELOpe:SHAPE?

Title: Limit Envelope Shape

Description: Sets the currently active limit envelope shape.

Parameter: SQUARE|SLOPE

Parameter Type: <char>

Example: To set the limit envelope to a square:

```
:CALCulate:LIMit:ENVELOpe:SHAPE SQUARE
```

Front Panel Access: Shift-6 (Limit), Limit Envelope, Upper Shape (If limit is toggled to Upper) or Lower Shape (If limit is toggled to Lower)

:CALCulate:LIMit:ENVELOpe:UPDate:X

Title: Update Limit Envelope Frequency

Description: Updates limit envelope frequency. Note that this command is valid only if the limit envelope shape is set to a square. Use :CALCulate:LIMit:TYPe to set the currently active limit line.

Example: To adjust the envelope frequency:

```
:CALCulate:LIMit:ENVELOpe:UPDate:X
```

:CALCulate:LIMit:ENVELOpe:UPDate:Y

Title: Update Limit Envelope Amplitude

Description: Updates the amplitude of the current limit without changing the frequencies of the inflection point. Use :CALCulate:LIMit:TYPe to set the currently active limit line.

Example: To adjust the limit envelope amplitude:

```
:CALCulate:LIMit:ENVELOpe:UPDate:Y
```

Front Panel Access: Shift-6 (Limit), Limit Envelope, Update Envelope Amplitude

:CALCulate:LIMit:FAIL?

Title: Limit Fail State

Description: Query whether the currently active limit line (upper or lower) has failed or not. The command returns a 0 on success, 1 on fail, and 2 if the current active limit is OFF or the alarm is OFF. Use :CALCulate:LIMit:TYPe to set the currently active limit line.

:CALCulate:LIMit:LOWer:ALARm OFF|ON|0|1**:CALCulate:LIMit:LOWer:ALARm?**

Title: Lower Limit Alarm

Description: Enables/disables the lower limit alarm. It is a combination of the commands :CALCulate:LIMit:TYPe 1; :CALCulate:LIMit:ALARm ON|OFF. Setting the value to ON or 1 will turn on the lower limit alarm. Setting the value to OFF or 0 will turn off the lower limit alarm. The query version of the command returns a 1 if the lower limit line alarm is ON and returns 0 if OFF. Note that using this command set the lower limit line active for editing.

Parameter: OFF|ON|0|1

Parameter Type: <boolean>

Default Value: OFF

Related Command: :CALCulate:LIMit:ALARm

Front Panel Access: Shift-6 (Limit), Limit Alarm

:CALCulate:LIMit:LOWer:FAIL?

Title: Lower Limit Fail State

Description: Query whether the lower limit line has failed or not. The command returns a 0 on success, 1 on fail, and 2 if the lower limit line is OFF or the alarm is OFF.

:CALCulate:LIMit:LOWer:POINT?

Title: Number of Lower Limit Points

Description: Returns the number of points currently in the lower limit line.

Default Value: 2

Related Command: :CALCulate:LIMit:POINT?

:CALCulate:LIMit:LOWer[:STATe] OFF|ON|0|1**:CALCulate:LIMit:LOWer[:STATe]?**

Title: Lower Limit State

Description: Turns the lower limit line ON or OFF. It is a combination of the commands :CALCulate:LIMit:TYPe 1; :CALCulate:LIMit:STATe ON|OFF. The query version of the command returns a 1 if the lower limit line is ON and returns a 0 if OFF.

Parameter: OFF|ON|0|1

Parameter Type: <boolean>

Default Value: OFF

Example: To turn on lower limit:

```
:CALCulate:LIMit:LOWer ON
:CALCulate:LIMit:LOWer 1
:CALCulate:LIMit:LOWer:STATe ON
```

To turn off lower limit:

```
:CALCulate:LIMit:LOWer OFF
:CALCulate:LIMit:LOWer 0
:CALCulate:LIMit:LOWer:STATe 0
```

Related Command: :CALCulate:LIMit:ALARm

Front Panel Access: Shift-6 (Limit), Limit Alarm

:CALCulate:LIMit:LTYPe ABSolute|RELative**:CALCulate:LIMit:LTYPe?**

Title: Limit Line Type

Description: Sets the currently active limit line type. Absolutes limit lines set the limit inflection points based upon the entered frequencies for each point. Relative limit lines set the limit inflection points relative to the current center frequency.

Parameter: ABSolute|RELative

Parameter Type: <char>

Default Value: ABSolute

Range: ABSolute|RELative

Example: To set the limit line type to relative:

```
:CALCulate:LIMit:LTYPe RELative
```

Related Command: :CALCulate:LIMit[:STATe]

Front Panel Access: Shift-6 (Limit), Limit Advanced, Limit Line Type

:CALCulate:LIMit:MIRRor

Title: Limit Mirror

Description: Creates a limit mirror. Use :CALCulate:LIMit:TYPE to set the currently active limit line.

Related Command: :CALCulate:LIMit:TYPE

Front Panel Access: Shift-6 (Limit), Limit Advanced, Limit Mirror

:CALCulate:LIMit:POINT:ADD

Title: Add Limit Point

Description: Adds a new limit point to the currently active limit line. Use :CALCulate:LIMit:TYPE to set the currently active limit line.

Related Command: :CALCulate:LIMit:TYPE

Front Panel Access: Shift-6 (Limit), Limit Edit, Add Point

:CALCulate:LIMit:POINT:DELeTe

Title: Delete Limit Point

Description: Deletes the currently active limit point. The active point becomes the point that is immediately to the left of the point that was deleted. Note that deletion is only valid if there are more than 2 limit points. Use :CALCulate:LIMit:TYPE to set the currently active limit line.

Example: To delete the currently active limit point:

:CALCulate:LIMit:POINT:DELeTe

Front Panel Access: Shift-6 (Limit), Limit Edit, Delete Point

:CALCulate:LIMit:POINT:LEFT

Title: Next Point Left

Description: Selects the limit point immediately to the left of the active point, making it active for editing or deleting. Use :CALCulate:LIMit:TYPE to set the currently active limit line.

Example: To select the point to the left of the active point:

:CALCulate:LIMit:POINT:LEFT

Front Panel Access: Shift-6 (Limit), Limit Edit, Next Point Left

:CALCulate:LIMit:POINT:RIGHT

Title: Next Point Right

Description: Selects the limit point immediately to the right of the active point, making it active for editing or deleting. Use :CALCulate:LIMit:TYPE to set the currently active limit line.

Example: To select the point to the right of the active point:

:CALCulate:LIMit:POINT:RIGHT

Front Panel Access: Shift-6 (Limit), Limit Edit, Next Point Right

:CALCulate:LIMit:POINT:X <x-parameter>

:CALCulate:LIMit:POINT:X?

Title: Limit Point X Value

Description: Sets the location of the active limit point on the x-axis at the specified location. <x-parameter> is defined in the current x-axis. Note that this will change the Move Limit on the front panel to Point if it is currently set to Limit. The query version of the command returns the location of the active limit point on the x-axis. Use :CALCulate:LIMit:TYPE to set the currently active limit line.

Parameter: <x-parameter>

Default Unit: Hz or for zero span in seconds

Example: To set the active point to 5 Hertz:

```
:CALCulate:LIMit:POINT:X 5
:CALCulate:LIMit:POINT:X 5Hz
```

To set the active point to 500 MHz:

```
:CALCulate:LIMit:POINT:X 500MHz
```

To set the active point to 2.5 seconds (In zero span):

```
:CALCulate:LIMit:POINT:X 2.5
:CALCulate:LIMit:POINT:X 2.5s
```

To set the active point to 25 us (In zero span):

```
:CALCulate:LIMit:POINT:X 25us
```

Front Panel Access: Shift-6 (Limit), Limit Edit, Frequency

:CALCulate:LIMit:POINT:Y <y-parameter>

:CALCulate:LIMit:POINT:Y?

Title: Limit Point Y Value

Description: Sets the location of the active limit point on the y-axis at the specified location. <y-parameter> is defined in the current y-axis. Note that this will change the Move Limit on the front panel to Point if it is currently set to Limit. The query version of the command returns the location of the active limit point on the y-axis. Use :CALCulate:LIMit:TYPE to set the currently active limit line.

Parameter: <y-parameter>

Default Unit: Current y-axis unit.

Example: To set the active point to 5dBm:

```
:CALCulate:LIMit:POINT:Y 5
```

(If y-axis unit is dBm)

```
:CALCulate:LIMit:POINT:Y 5dBm
```

Front Panel Access: Shift-6 (Limit), Limit Edit, Amplitude

:CALCulate:LIMit:POINT?

Title: Number of Limit Points

Description: Returns the number of points currently in the selected limit line. Use :CALCulate:LIMit:TYPE to set the currently active limit line.

Related Command: :CALCulate:LIMit:TYPE

:CALCulate:LIMit:TYPE 0|1**:CALCulate:LIMit:TYPE?**

Title: Set Limit Line Upper or Lower

Description: Sets the currently active limit line to either upper or lower. Subsequent limit line operations will be performed on the selected limit line.

Parameter: 0|1 (0 = upper limit line, 1 = lower limit line)

Parameter Type: number

Default Value: 0 (upper)

Range: 0|1

Example: To set the active limit line to upper:

```
:CALCulate:LIMit:TYPE 0
```

Front Panel Access: Shift-6 (Limit), Limit

:CALCulate:LIMit:UPPer:ALARm OFF|ON|0|1**:CALCulate:LIMit:UPPer:ALARm?**

Title: Upper Limit Alarm

Description: Enables/disables the alarm for the upper limit. It is a combination of the commands :CALCulate:LIMit:TYPE 0; :CALCulate:LIMit:ALARm ON|OFF. Setting the value to ON or 1 will turn on the upper limit alarm. Setting the value to OFF or 0 will turn off the upper limit alarm. The query version of the command returns a 1 if the upper limit line alarm is ON and returns 0 if OFF.

Parameter: OFF|ON|0|1

Parameter Type: <boolean>

Default Value: OFF

Related Command: :CALCulate:LIMit:ALARm

Front Panel Access: Shift-6 (Limit), Limit Alarm

:CALCulate:LIMit:UPPer:FAIL?

Title: Upper Limit Fail State

Description: Query whether the upper limit line has failed or not. The command returns a 0 on success, 1 on fail, and 2 if the upper limit line is OFF or the alarm is OFF.

:CALCulate:LIMit:UPPer:POINT?

Title: Number of Upper Limit Points

Description: Returns the number of points currently in the upper limit line.

Default Value: 2

Related Command: :CALCulate:LIMit:POINT?

:CALCulate:LIMit:UPPer[:STATe] OFF|ON|0|1

:CALCulate:LIMit:UPPer[:STATe]?

Title: Upper Limit State

Description: Turns the upper limit line ON or OFF. It is a combination of the commands :CALCulate:LIMit:TYPe 0; :CALCulate:LIMit:STATe ON|OFF. The query version of the command returns a 1 if the upper limit line is ON and returns a 0 if OFF.

Parameter: OFF|ON|0|1

Parameter Type: <boolean>

Default Value: OFF

Example: To turn on upper limit:

```
:CALCulate:LIMit:UPPer ON
:CALCulate:LIMit:UPPer 1
:CALCulate:LIMit:UPPer:STATe ON
```

To turn off upper limit:

```
:CALCulate:LIMit:UPPer OFF
:CALCulate:LIMit:UPPer 0
:CALCulate:LIMit:UPPer:STATe 0
```

Related Command: :CALCulate:LIMit[:STATe]

Front Panel Access: Shift-6 (Limit), On/Off

:CALCulate:LIMit:VALue <value>

Title: Move Limit

Description: Sets the currently active limit line value. This command moves an entire single or multi-segment limit line up or down by the given <value>. This command is equivalent to the command :CALCulate:LIMit:Y. Use :CALCulate:LIMit:TYPe to set the currently active limit line.

Note that this will change the Move Limit on the front panel to Limit if it is currently set to Point.

Parameter: <value>

Default Unit: Current y-axis unit.

Related Command: :CALCulate:LIMit:Y
:CALCulate:LIMit:TYPe

Front Panel Access: Shift-6 (Limit), Limit Edit, Amplitude

:CALCulate:LIMit:VERTical:ADD

Title: Add Vertical

Description: Adds vertical. This will add two inflection points that share the same frequency and are centered midpoint between adjacent points. Use :CALCulate:LIMit:TYPe to set the currently active limit line.

Related Command: :CALCulate:LIMit:TYPe

Front Panel Access: Shift-6 (Limit), Limit Edit, Add Vertical

:CALCulate:LIMit:X <x-parameter>

Title: Limit X Value

Description: Sets the location of the active limit line on the x-axis at the specified location. This moves the entire limit and moves the active limit point to the given value. <x-parameter> is defined in the current x-axis. Note that this will change the Move Limit on the front panel to Limit if it is currently set to Point. Use :CALCulate:LIMit:TYPE to set the currently active limit line.

Parameter: <x-parameter>

Default Unit: Hz or for zero span in seconds

Example: To move the limit and set active point to 5 Hz:

```
:CALCulate:LIMit:X 5
:CALCulate:LIMit:X 5Hz
```

To move the limit and set active point to 500 MHz:

```
:CALCulate:LIMit:X 500MHz
```

To move the limit and set active point to 2.5 seconds (In zero span):

```
:CALCulate:LIMit:X 2.5
:CALCulate:LIMit:X 2.5s
```

To move the limit and set active point to 25us (In zero span):

```
:CALCulate:LIMit:X 25us
```

Front Panel Access: Shift-6 (Limit), Limit Edit, Frequency

:CALCulate:LIMit:Y <y-parameter>

Title: Limit Line Y Value

Description: Sets the location of the active limit line on the y-axis at the specified location. This moves the entire limit and moves the current active limit point by the given value. <y-parameter> is defined in the current y-axis. Note that this will change the Move Limit on the front panel to Limit if it is currently set to Point. Use :CALCulate:LIMit:TYPE to set the currently active limit line.

Parameter: <y-parameter>

Default Unit: Current y-axis unit.

Example: To move limit and set the active point to 5 dbm:

```
:CALCulate:LIMit:Y 5
(If y-axis unit is dBm)
:CALCulate:LIMit:Y 5dBm
```

Front Panel Access: Shift-6 (Limit), Limit Edit, Amplitude

:CALCulate:LIMit[:SET]:DEFAULT

Title: Set Default Limit

Description: Deletes all limit points for the currently active limit line and sets the default limit line value. Note that this command will turn on the currently selected limit line if it is not already on. The current selected limit line can be modified by using the command :CALCulate:LIMit:TYPE.

Front Panel Access: Shift-6 (Limit), Set Default Limit

:CALCulate:LIMit[:STATe] OFF|ON|0|1

:CALCulate:LIMit[:STATe]?

Title: Limit State

Description: Turns the currently selected limit line (upper or lower) ON or OFF. If the value is set to ON or 1, the currently selected limit line is ON. If the value is set to OFF or 0, the currently selected limit line is OFF. The query version of the command returns a 1 if the currently selected limit line is ON and returns a 0 if OFF. Use :CALCulate:LIMit:TYPE to set the currently active limit line.

Parameter: OFF|ON|0|1

Parameter Type: <boolean>

Default Value: OFF

Example: To turn on the currently selected limit line:

```
:CALCulate:LIMit ON
:CALCulate:LIMit:STATe ON
:CALCulate:LIMit:STATe 1
```

To turn off the currently selected limit line:

```
:CALCulate:LIMit OFF
:CALCulate:LIMit:STATe 0
:CALCulate:LIMit 0
```

Front Panel Access: Shift-6 (Limit), On/Off

:CALCulate:MARKer:AOff

Title: Turn All Markers Off

Description: Turns off all markers.

Front Panel Access: Marker, More, All Markers Off

:CALCulate:MARKer:PEAK:THReshold <percentage>

:CALCulate:MARKer:PEAK:THReshold?

Title: Peak Threshold

Description: Sets the peak/valley threshold as a percentage of the display.

:CALCulate:MARKer:MAXimum:LEFT and :CALCulate:MARKer:MAXimum:RIGHT use this value to determine whether a particular display point qualifies as a peak.

Parameter: <percentage>

Default Value: 10

Default Unit: %

Range: 0% to 100%

Front Panel Access: Marker, More Peak Options, Peak Threshold

:CALCulate:MARKer:TABLE[:STATE] OFF|ON|0|1

:CALCulate:MARKer:TABLE[:STATE]?

Title: Marker Table State

Description: Turns the Marker Table on or off. Setting the value to ON or 1 will turn on the marker table. Setting the value to OFF or 0 will turn off the marker table.

Note: Marker Table Large mode is not supported with this command.

Parameter: OFF|ON|0|1

Parameter Type: <boolean>

Default Value: OFF

Example: To turn on marker table:

```
:CALCulate:MARKer:TABLE ON
:CALCulate:MARKer:TABLE 1
```

Front Panel Access: Marker, More, Marker Table

:CALCulate:MARKer{1|2|3|4|5|6}:DELTA:NOISE[:STATE] OFF|ON|0|1

:CALCulate:MARKer{1|2|3|4|5|6}:DELTA:NOISE[:STATE]?

Title: Marker Noise

Description: Turns the delta marker noise on or off. Note that if counter marker is set to on when setting marker noise to on, then counter marker is set to off. This command is not valid in zero span. The query version of this command returns a 1 if the specified delta marker is noise marker and returns a 0 if not.

Parameter: OFF|ON|0|1

Parameter Type: <boolean>

Default Value: OFF

Example: To turn on marker noise for delta marker #1:

```
:CALCulate:MARKer1:DELTA:NOISE ON
:CALCulate:MARKer1:DELTA:NOISE 1
:CALCulate:MARKer:DELTA:NOISE 1
:CALCulate:MARKer:DELTA:NOISE:STATE ON
```

To turn on marker noise for delta marker #2:

```
:CALCulate:MARKer2:DELTA:NOISE ON
:CALCulate:MARKer2:DELTA:NOISE 1
:CALCulate:MARKer2:DELTA:NOISE:STATE ON
```

To turn off marker noise #5:

```
:CALCulate:MARKer5:DELTA:NOISE OFF
:CALCulate:MARKer5:DELTA:NOISE 0
:CALCulate:MARKer5:DELTA:NOISE:STATE OFF
```

Front Panel Access: Marker, More, Marker Noise

:CALCulate:MARKer{1|2|3|4|5|6}:DELTA:X <x-parameter>

:CALCulate:MARKer{1|2|3|4|5|6}:DELTA:X?

Title: Delta Marker X Value

Description: Sets the location of the delta marker on the x-axis at the specified location <x-parameter> + the reference marker x-axis. <x-parameter> is defined in the current x-axis units. The query version of the command returns the absolute location of the delta marker on the x-axis.

Parameter: <x-parameter>

Default Unit: Hz or seconds if in zero span

Example: If both the reference and delta marker #1 is currently at 1 GHz on the x-axis, send the command below to set the delta marker #1 to 1 GHz on the x-axis:

```
:CALCulate:MARKer1:DELTA:X 1GHz
```

(In zero span) If both the reference and delta marker #1 is currently at 25 μ s on the x-axis, send the command below to set the delta marker to 25 μ s on the x-axis:

```
:CALCulate:MARKer1:DELTA:X 25us
```

Related Command: :CALCulate:MARKer[1|2|3|4|5|6]:X

Front Panel Access: Marker, Delta

:CALCulate:MARKer{1|2|3|4|5|6}:DELTA:Y?

Title: Delta Marker Read Y Value

Description: Reads the current absolute Y value for the specified delta marker. The units are the units of the y-axis.

Default Unit: Current y-axis unit

:CALCulate:MARKer{1|2|3|4|5|6}:DELTA[:SET]:SPAN

Title: Delta Marker to Span

Description: Sets the total span width to the value of the specified delta marker. Note that this command is valid only if delta marker is on.

Example: To set the span to the value of delta marker #4:

```
:CALCulate:MARKer4:DELTA:SPAN
```

Front Panel Access: Marker, More Peak Options, Delta Marker to Span

:CALCulate:MARKer{1|2|3|4|5|6}:DELTA[:STATE] OFF|ON|0|1

:CALCulate:MARKer{1|2|3|4|5|6}:DELTA[:STATE]?

Title: Delta Marker State

Description: Sets the specified delta marker on or off.

Parameter: OFF|ON|0|1

Parameter Type: <boolean>

Default Value: OFF

Example: To turn on delta marker #3:

```
:CALCulate:MARKer3:DELTA ON
```

```
:CALCulate:MARKer3:DELTA 1
```

```
:CALCulate:MARKer3:DELTA:STATE ON
```

```
:CALCulate:MARKer3:DELTA:STATE 1
```

To turn off delta marker #6

```
:CALCulate:MARKer6:DELTA OFF
:CALCulate:MARKer6:DELTA:STATE OFF
:CALCulate:MARKer6:DELTA:STATE 0
```

Front Panel Access: Marker, Delta

```
:CALCulate:MARKer{1|2|3|4|5|6}:FCOUNT[:STATE] OFF|ON|0|1
:CALCulate:MARKer{1|2|3|4|5|6}:FCOUNT[:STATE]?
```

Title: Marker Counter

Description: Turns the marker frequency counter on or off. The marker counter is turned off when the selected marker is turned off. If delta marker is on when setting marker counter to on, then delta marker is turned off. If noise marker is set to on when setting marker counter to on, then noise marker is set to off. This command is not valid in zero span.

Parameter: OFF|ON|0|1

Parameter Type: <boolean>

Default Value: OFF

Example: To turn on frequency counter for reference marker # 2:

```
:CALCulate:MARKer2:FCOUNT ON
:CALCulate:MARKer2:FCOUNT 1
```

Front Panel Access: Marker, More, Counter Marker

```
:CALCulate:MARKer{1|2|3|4|5|6}:FIXed[:STATE] OFF|ON|0|1
:CALCulate:MARKer{1|2|3|4|5|6}:FIXed[:STATE]?
```

Title: Marker Fixed State

Description: Sets the specified reference marker fixed state on or off. If Fixed is set to on, then the selected reference markers stay at the amplitude they were at when the marker is set to Fixed.

Parameter: OFF|ON|0|1

Parameter Type: <boolean>

Default Value: OFF

Example: To set reference marker #1 to fixed:

```
:CALCulate:MARKer:FIXed ON
:CALCulate:MARKer:FIXed 1
```

Front Panel Access: Marker, More, Marker Style

```
:CALCulate:MARKer{1|2|3|4|5|6}:MAXimum
```

Title: Marker (Maximum) Peak Search

Description: Puts the specified marker at the maximum amplitude in the trace.

Front Panel Access: Marker, [Marker 1/2/3/4/5/6,] Peak Search Marker, More Peak Options, Peak Search

:CALCulate:MARKer{1|2|3|4|5|6}:MAXimum:LEFT

Title: Marker (Maximum) Peak Search Left

Description: Puts the specified marker on the next highest peak to the left of the current peak. The next highest peak must be above the peak threshold. If no point meets that criterion, the marker is set to the first point on the trace.

Related Command: :CALCulate:MARKer:PEAK:THReshold

Front Panel Access: Marker, More Peak Options, Next Peak Left

:CALCulate:MARKer{1|2|3|4|5|6}:MAXimum:RIGHT

Title: Marker (Maximum) Peak Search Right

Description: Puts the specified marker on the next highest peak to the right of the current peak. The next highest peak must be above the peak threshold. If no point meets that criterion, the marker is set to the last point on the trace.

Related Command: :CALCulate:MARKer:PEAK:THReshold

Front Panel Access: Marker, More Peak Options, Next Peak Right

:CALCulate:MARKer{1|2|3|4|5|6}:NOISe[:STATe] OFF|ON|0|1**:CALCulate:MARKer{1|2|3|4|5|6}:NOISe[:STATe]?**

Title: Marker Noise

Description: Turns the marker noise on or off for the specified reference marker. Note that if counter marker is set to on when setting marker noise to on, then counter marker is set to off. This command is not valid in zero span.

Parameter: OFF|ON|0|1

Parameter Type: <boolean>

Default Value: OFF

Example: To set reference marker #3 as noise marker:

```
:CALCulate:MARKer3:NOISe ON
:CALCulate:MARKer3:NOISe 1
```

Front Panel Access: Marker, More, Marker Noise

:CALCulate:MARKer{1|2|3|4|5|6}:X <x-parameter>**:CALCulate:MARKer{1|2|3|4|5|6}:X?**

Title: Marker X Value

Description: Sets the location of the marker on the x-axis at the specified location. <x-parameter> is defined in the current x-axis units. The query version of the command returns the location of the marker on the x-axis. Note that the marker is snapped to the data point closest to the specified value. If the specified marker is not on it is set to on.

Parameter: <x-parameter>

Default Unit: Hz or seconds if in zero span

Example: To set reference marker #2 to 5 hertz on the x-axis:

```
:CALCulate:MARKer2:X 5
:CALCulate:MARKer2:X 5Hz
```

To set reference marker #1 to 1.5 GHz on the x-axis:

```
:CALCulate:MARKer:X 1.5GHz
:CALCulate:MARKer1:X 1.5GHz
```

(In zero span) To set reference marker #3 to 1.5 seconds on the x-axis:

```
:CALCulate:MARKer3:X 1.5
:CALCulate:MARKer3:X 1.5s
```

(In zero span) To set reference marker #1 to 25 us:

```
:CALCulate:MARKer:X 25us
:CALCulate:MARKer1:X 25us
```

Front Panel Access: Marker, [Marker 1/2/3/4/5/6]

:CALCulate:MARKer{1|2|3|4|5|6}:Y?

Title: Marker Read Y Value

Description: Reads the current Y value for the specified marker. The units are the units of the y-axis.

Default Unit: Current y-axis unit

:CALCulate:MARKer{1|2|3|4|5|6}[:SET]:CENTer

Title: Marker Frequency to Center

Description: Sets the center frequency equal to the frequency of the specified marker. Note that this will result in a change to the start and stop frequencies and may also result in a change to the span. Note that this command is not valid in zero span.

Front Panel Access: Marker, Marker Freq to Center

:CALCulate:MARKer{1|2|3|4|5|6}[:SET]:RLEVel

Title: Marker to Reference Level

Description: Sets the reference level equal to the measured amplitude of the specified marker. Note that this may result in a change to the input attenuation.

Front Panel Access: Marker, Marker to Ref Lvl

:CALCulate:MARKer{1|2|3|4|5|6}[:STATe] OFF|ON|0|1

:CALCulate:MARKer{1|2|3|4|5|6}[:STATe]?

Title: Marker State

Description: Sets the specified marker on/off.

Parameter: OFF|ON|0|1

Parameter Type: <boolean>

Default Value: OFF

Example: To turn off reference marker #1:

```
:CALCulate:MARKer1:STATe OFF
```

Front Panel Access: Marker, On/Off

5-3 :CONFigure Subsystem

This set of commands prepares the instrument for the selected measurement. It disables any currently-enabled measurements and activates the specified measurement. It sets the instrument to single sweep mode, waiting for an :INITiate command. It will not initiate the taking of a measurement.

Current instrument settings may be changed to default values. These changes are identified with their respective measurement commands.

:CONFigure:ACPower

Title: Configure Adjacent Channel Power Ratio

Description: Configures the default adjacent channel power ratio measurement. Disables any other active one-button measurements, including channel power, occupied bandwidth, AM/FM demodulation and C/I. Sets the main channel bandwidth equal to the span. Sets the adjacent channel bandwidth and channel spacing equal to the main channel bandwidth. Sets the detection method to RMS. Sets the instrument to single sweep mode (:INITiate:CONTinuous OFF). Measurement settings can be modified by using the [:SENSe]:ACPower commands before initiating a sweep.

Related Command: [:SENSe]:ACPower:STATE
[:SENSe]:ACPower:BANDwidth|BWIDth:MAIN
[:SENSe]:ACPower:BANDwidth|BWIDth:ADJacent
[:SENSe]:ACPower:BANDwidth|BWIDth:SPACing

:CONFigure:CHPower

Title: Configure Channel Power

Description: Configures the default channel power measurement. Disables any other active one-button measurements, including ACPR, occupied bandwidth, AM/FM demodulation and C/I. Sets the integration bandwidth equal to the span. Sets the detection method to RMS. Sets the instrument to single sweep mode (:INITiate:CONTinuous OFF). Measurement settings can be modified by using the [:SENSe]:CHPower commands before initiating a sweep. Note that this measurement is not valid in zero span.

Related Command: [:SENSe]:CHPower:STATE
[:SENSe]:CHPower:BANDwidth|BWIDth:INTegration

:CONFigure:FSTrength

Title: Configure Field Strength

Description: Configures the default field strength measurement. Disables any other active one-button measurements, including channel power, adjacent channel power, occupied bandwidth, AM/FM demodulation and C/I. Sets the antenna to the first antenna in the instrument's antenna list. Sets the instrument to single sweep mode (:INITiate:CONTinuous OFF). Measurement settings can be modified by using the [:SENSe]:FSTrength commands before initiating a sweep. Note that this measurement is not valid in zero span.

Related Command: [:SENSe]:FSTrength:ANTenna

:CONFigure:OBWidth

Title: Configure Occupied Bandwidth

Description: Configures the default occupied bandwidth measurement. Disables any other active one-button measurements, including channel power, ACPR, AM/FM demodulation and C/I. Sets the method to %. Sets the % of power to 99%. Sets the instrument to single sweep mode (:INITiate:CONTinuous OFF). Measurement settings can be modified by using the [:SENSe]:OBWidth commands before initiating a sweep. Note that this measurement is not valid in zero span.

Related Command: [:SENSe]:OBWidth:STATe
[:SENSe]:OBWidth:METHOD
[:SENSe]:OBWidth:PERCent
[:SENSe]:OBWidth:XDB

5-4 :DISPlay Subsystem

This subsystem provides commands that modify the display of data for the user. They do not modify the way in which data are returned to the controller.

```
:DISPlay:WINDow:TRACe:Y[:SCALe]:PDIVision <rel ampl>  
:DISPlay:WINDow:TRACe:Y[:SCALe]:PDIVision?
```

Title: Scale

Description: Sets the scale (dB/division) for the y-axis.

Parameter: <rel ampl>

Default Value: 10 dB/div

Default Unit: dB

Range: 1 dB to 15 dB

Front Panel Access: Amplitude, Scale

```
:DISPlay:WINDow:TRACe:Y[:SCALe]:RLEVel <amplitude>  
:DISPlay:WINDow:TRACe:Y[:SCALe]:RLEVel?
```

Title: Reference Level

Description: Sets the reference level amplitude value for the y-axis. Note that this may cause a change in attenuation if the automatic input attenuation coupling is enabled.

Parameter: <amplitude>

Default Value: 10 dBm

Default Unit: Current active amplitude unit

Range: With reference level offset = 0 dB: 30 dBm to -150 dBm

Example: To set the reference level to 15dBm (If y-axis is dBm)

```
:DISPlay:WINDow:TRACe:Y:SCALe:RLEVel 15
```

```
:DISPlay:WINDow:TRACe:Y:SCALe:RLEVel 15dBm
```

Related Command: :DISPlay:WINDow:TRACe:Y[:SCALe]:RLEVel:OFFset

Front Panel Access: Amplitude, Reference Level

```
:DISPlay:WINDow:TRACe:Y[:SCALe]:RLEVel:OFFSet <rel ampl>  
:DISPlay:WINDow:TRACe:Y[:SCALe]:RLEVel:OFFSet?
```

Title: Reference Level Offset

Description: Sets the reference level offset value for the y-axis.

Parameter: <rel ampl>

Default Value: 0 dB

Default Unit: dB

Range: -99.9 dB to 99.9 dB

Front Panel Access: Amplitude, RL Offset

5-5 :FETCh Subsystem

This set of commands returns the most recent measurement data of the active measurement. They will not switch to another measurement.

To make a new measurement, use the INITiate command. To get new measurement data, use the READ or MEASure query commands.

:FETCh:ACPower?

Title: Fetch Adjacent Channel Power Ratio

Description: Returns the most recent adjacent channel power ratio measurement results. If the instrument is sweeping, it will not return until the sweep is complete. If the instrument is not sweeping and the current data is not valid it will return error -230. This could occur if there was a *RST immediately before the :FETCh? or if a measurement parameter was changed without an :INITiate.

Data is returned as 3 comma-separated values: main channel power, lower adjacent channel power, upper adjacent channel power.

Default Unit: Current amplitude units

:FETCh:CHPower:CHPower?

Title: Fetch Channel Power

Description: Returns the most recent channel power measurement result. It returns only the channel power, not the channel power density. Use :FETCh:CHPower? to get both channel power and channel power density.

Default Unit: Current amplitude units

Related Command: :FETCh:CHPower?
:FETCh:CHPower:DENSity?

:FETCh:CHPower:DENSity?

Title: Fetch Channel Power Density

Description: Returns the most recent channel power density measurement result. It returns only the channel power density, not the channel power. Use :FETCh:CHPower? to get both channel power and channel power density. If the instrument is sweeping, it will not return until the sweep is complete. If the instrument is not sweeping and the current data is not valid it will return error -230. This could occur if there was a *RST immediately before the :FETCh? or if a measurement parameter was changed without an :INITiate.

Default Unit: Current amplitude units

:FETCh:CHPower?

Title: Fetch Channel Power/Density

Description: This command returns the most recent channel power measurement results: channel power and channel power density. If the instrument is sweeping, it will not return until the sweep is complete. If the instrument is not sweeping and the current data is not valid it will return error -230. This could occur if there was a *RST immediately before the :FETCh? or if a measurement parameter was changed without an :INITiate.

Data is returned as 2 comma-separated values: channel power, channel power density.

Default Unit: Current amplitude units

Related Command: :FETCh:CHPower:CHPower?
:FETCh:CHPower:DENSity?

:FETCh:OBWidth:FREQuency?

Title: Fetch Occupied Bandwidth Frequency

Description: Returns the most recent occupied bandwidth lower frequency and upper frequency.

Data is returned as 2 comma-separated values: lower frequency and upper frequency in Hz.

Default Unit: Hz

Related Command: :FETCh:CHPower?
:FETCh:CHPower:CHPower?

:FETCh:OBWidth?

Title: Fetch Occupied Bandwidth

Description: Returns the most recent occupied bandwidth measurement results: occupied bandwidth, percent of power and dB down. One of either percent of power or dB down is measured and the other is set. That is determined by the value set using [:SENSE]:OBWidth:METHod. If the instrument is sweeping, it will not return until the sweep is complete. If the instrument is not sweeping and the current data is not valid it will return error -230. This could occur if there was a *RST immediately before the :FETCh? or if a measurement parameter was changed without an :INITiate.

Data is returned as 3 comma-separated values: occupied bandwidth, percent of power, dB down.

Default Unit: OBW in Hz, Percent of Power in %, dB Down in dB

5-6 :FORMat Subsystem

This subsystem contains commands that determine the formatting of numeric data when it is transferred.

The format setting affects data in specific commands only. If a command is affected, it is noted in the command description.

:FORMat[:READings][:DATA] ASCii|INTeger,32|REAL,[<length>]

:FORMat[:READings][:DATA]?

Title: Numeric Data Format

Description: This command specifies the format in which data is returned in certain commands. The optional <length> parameter is needed for REAL format only. It defines the length of the floating point number in bits. Valid values are 32 and 64. If no length is specified, the default length of REAL data is set to 64 bits.

ASCii format returns the data in comma-separated ASCII format. The units are the current instrument units. This format requires many more bytes so it is the slowest format. INTeger, 32 values are signed 32-bit integers in little-endian byte order. This format returns the data in 4-byte blocks. The units are always mdBm. For example, if the measured result was -12.345 dBm, that value would be sent as -12345. REAL,32 values are 32-bit floating point numbers conforming to the IEEE 754 standard in little-endian byte order. This format returns the data in 4-byte binary format. The units are the current instrument units. REAL,64 values are 64-bit floating point numbers conforming to the IEEE 754 standard in little-endian byte order. This format returns the data in 8-byte binary format. The units are the current instrument units. For a more precise reading, REAL,64 should be used instead of REAL,32 when the current instrument unit is set to Volt or Watt.

Both INTeger and REAL formats return a definite block length. Each transfer begins with an ASCII header such as #42204 for INTeger,32 and REAL,32 and #44408 for REAL,64. The first digit represents the number of following digits in the header (in this example, 4). The remainder of the header indicates the number of bytes that follow the header (in this example, 2204 for INT,32 and REAL,32 and 4408 for REAL,64). You then divide the number of following bytes by the number of bytes in the data format you've chosen (4 for both INTeger,32 and REAL,32 therefore 2204/4, and 8 for REAL,64) to get the number of data points (in this example, 551).

Parameter: ASCii|INTeger,32|REAL,[<length>]

Parameter Type: <char>

Default Value: ASCii

Related Command: :TRACe[:DATA]

5-7 :INITiate Subsystem

This subsystem controls the triggering of measurements.

:INITiate:CONTinuous OFF|ON|0|1

:INITiate:CONTinuous?

Title: Continuous/Single Sweep

Description: Specifies whether the sweep/measurement is triggered continuously. If the value is set to ON or 1, another sweep/measurement is triggered as soon as the current one completes. If continuous is set to OFF or 0, the instrument enters the “idle” state and waits for the :INITiate[:IMMediate] command or for :INITiate:CONTinuous ON. The default value is ON. That is, sending :INIT:CONT is equivalent to sending :INIT:CONT ON. The query version of the command returns a 1 if the instrument is continuously sweeping/measuring and returns a 0 if the instrument is in single sweep/measurement mode. Note that rapid toggling between ON and OFF is not allowed. The instrument must be allowed to make a full sweep before toggling can be done.

Parameter: OFF|ON|0|1

Parameter Type: <boolean>

Default Value: ON

Related Command: :INITiate[:IMMediate]

Front Panel Access: Shift-3 (Sweep), Sweep (Single/Continuous)

:INITiate[:IMMediate] ONCE|AVERage

Title: Trigger Sweep/Measurement

Description: Initiates a sweep/measurement. If :INITiate:CONTinuous is set to ON, this command is ignored. Use this command in combination with :STATus:OPERation? to synchronize the capture of one complete set of data. When this command is sent, the “sweep complete” bit of :STATus:OPERation? is set to 0, indicating that the measurement has not completed. The data collection is then triggered. The controlling program can poll :STATus:OPERation? to determine the status. When the “sweep complete” bit is set to 1, data is ready to be retrieved.

If the value is set to ONCE, then INITiate[:IMMediate] will sweep once. If the value is set to AVERage and trace averaging is on, then the unit will sweep and average the next X traces, where X is equal to Shift-5 (Trace) -> Trace A Operations -> # of Averages.

If the value is set to AVERage and trace averaging is off, then the unit will sweep once.

When averaging is on, the sweep complete bit is set after the Xth sweep is completed.

If no argument is specified, then AVERage is sent.

Default Value: ONCE

Related Command: :INITiate:CONTinuous
:STATus:OPERation?

5-8 :MEASure Subsystem

These commands take the instrument from its current state, enable the specified measurement and put the instrument into single sweep mode. They correct any parameters that are invalid given the new measurement state such that a valid measurement can take place. Other settings may be changed; see the documentation of CONFigure for each measurement. They then initiate the measurement. When the measurement is complete, they return the result.

To make a measurement with settings other than the “default” measurement settings applied by CONFigure, do the following:

- Send the appropriate CONFigure command to set the desired measurement.
- Modify the settings as required.
- Send the appropriate READ command to measure and return the result.

To get the current measurement data, use the appropriate FETCh command.

:MEASure:ACPower?

Title: Measure Adjacent Channel Power Ratio

Description: Sets the active measurement to adjacent channel power ratio, sets the default measurement parameters, triggers a new measurement and returns the main channel power lower adjacent and upper adjacent channel power results. It is a combination of the commands :CONFigure:ACPower; :READ:ACPower? For a description of the default adjacent channel power ratio measurement parameters see :CONFigure:ACPower. To make an adjacent channel power ratio measurement with settings other than the default values send:

```
:CONFigure:ACPower
Commands to set desired settings
:READ:ACPower?
```

Data is returned as 3 comma-separated values: main channel power, lower adjacent channel power, upper adjacent channel power.

Default Unit: Current amplitude units

Related Command: :CONFigure:ACPower

:MEASure:CHPower:CHPower?

Title: Measure Channel Power

Description: Sets the active measurement to channel power, sets the default measurement parameters, triggers a new measurement and returns the channel power result. To measure both channel power and channel power density use :MEASure:CHPower? It is a combination of the commands :CONFigure:CHPower; :READ:CHPower:CHPower? For a description of the default channel power measurement parameters see :CONFigure:CHPower. To make a channel power measurement with settings other than the default values send:

```
:CONFigure:CHPower
Commands to set desired settings
:READ:CHPower:CHPower?
```

Default Unit: Current amplitude units

Related Command: :MEASure:CHPower?
:MEASure:CHPower:DENSity?
:CONFigure:CHPower

:MEASure:CHPower:DENSity?

Title: Measure Channel Power Density

Description: Sets the active measurement to channel power, sets the default measurement parameters, triggers a new measurement and returns the channel power density result. To measure both channel power and channel power density use :MEASure:CHPower? It is a combination of the commands :CONFigure:CHPower; :READ:CHPower:DENSity? For a description of the default channel power measurement parameters see :CONFigure:CHPower. To make a channel power measurement with settings other than the default values send:

```
:CONFigure:CHPower
Commands to set desired settings
:READ:CHPower:DENSity?
```

Default Unit: Current amplitude units

Related Command: :MEASure:CHPower?
:MEASure:CHPower:CHPower?
:CONFigure:CHPower

:MEASure:CHPower?

Title: Measure Channel Power/Density

Description: Sets the active measurement to channel power, sets the default measurement parameters, triggers a new measurement and returns the channel power and channel power density results. It is a combination of the commands :CONFigure:CHPower; :READ:CHPower? For a description of the default channel power measurement parameters see :CONFigure:CHPower. To make a channel power measurement with settings other than the default values send:

```
:CONFigure:CHPower
Commands to set desired settings
:READ:CHPower?
```

Data is returned as 2 comma-separated values: channel power, channel power density.

Default Unit: Current amplitude units

Related Command: :MEASure:CHPower:CHPower?
:MEASure:CHPower:DENSity?
:CONFigure:CHPower

:MEASure:IQ:CAPture SINGLE|REMote

Title: Transfer A Captured Waveform

Description: Initiates an IQ capture sequence. If SINGLE is passed as an argument, the data will be saved to a file on the instrument. SINGLE is also the default if no parameter is passed. If REMote is passed as an argument, then data will be routed to the SCPI output and must be received using MEASure:IQ:GET?. See [Appendix B, "IQ Waveform Capture"](#) for an IQ_SCPI.cpp example of how to use these two commands together to quickly transfer the captured data to a PC.

Parameter: SINGLE|REMote

Default Value: Single

Range: Single, Remote

Related Command: :MEASure:IQ:GET?

:MEASure:IQ:GET?

Title: Transfer A Captured Waveform

Description: Receives a block of IQ data after a capture sequence has already been initiated by issuing the :MEASure:IQ:CAPture REMote command.

Related Command: :MEASure:IQ:CAPture SINGLE|REMote

:MEASure:OBWidth?

Title: Measure Occupied Bandwidth

Description: Sets the active measurement to occupied bandwidth, sets the default measurement parameters, triggers a new measurement and returns the occupied bandwidth, percent of power and dB down results. It is a combination of the commands :CONFigure:OBWidth; :READ:OBWidth? For a description of the default occupied bandwidth measurement parameters see :CONFigure:OBWidth. To make an occupied bandwidth measurement with settings other than the default values send:

:CONFigure:OBWidth

Commands to set desired settings

:READ:OBWidth?

Data is returned as 3 comma-separated values: occupied bandwidth, percent of power, dB down.

Default Unit: For OBW: Hz
For Percent of Power: %
For dB Down: dB

Related Command: :CONFigure:OBWidth
:CONFigure:RF SPECTrum

5-9 :MMEMory Subsystem

The Mass MEMory subsystem contains functions that provide access to the instrument's setup and data storage.

:MMEMory:STORe:LIMit <file name>

Title: Save Limit

Description: Stores the current limit setup into the file specified by <file name>. <file name> should be enclosed in either single quotes (' ') or double quotes (" ") and should not contain a file extension. Use the command MMEMory:MSIS to set the current storage location.

Parameter: <file name>

Related Command: :MMEMory:MSIS INTernal|USB

Front Panel Access: Shift-7 (File), Save, Change Type, (select Limit Line from list)

5-10 :READ Subsystem

This set of commands combines the ABORT, INITiate and FETCh commands. It aborts any current triggering sequence and sets the trigger state to idle. It then initiates a new active measurement (i.e. begins the collection of new data). When the measurement is complete, it returns the result. These commands will not switch to another measurement.

To get the current measurement data, use the FETCh command.

:READ:ACPower?

Title: Read Adjacent Channel Power Ratio

Description: Triggers a new adjacent channel power ratio measurement and returns the results: main channel power, lower adjacent and upper adjacent channel power. It is a combination of the commands :ABORT; :INITiate; :FETCh:ACPower? The channel power measurement must be the active measurement (specified by the command :CONFigure:ACPower). The current measurement can be queried using the command :CONFigure?

Data is returned as 3 comma-separated values: main channel power, lower adjacent channel power, upper adjacent channel power.

Related Command: :READ:ACPower?
:CONFigure

:READ:CHPower:DENSity?

Title: Read Channel Power Density

Description: Triggers a new channel power measurement and returns the channel power density result. It is a combination of the commands :ABORT; :INITiate; :FETCh:CHPower:DENSity? It returns only the channel power density, not the channel power. Use the command :READ:CHPower? to get both channel power and channel power density. The channel power measurement must be the active measurement (specified by :CONFigure:CHPower). The current measurement can be queried using :CONFigure? command.

Default Unit: Current amplitude units

Related Command: :READ:CHPower?
:READ:CHPower:CHPower?
:CONFigure

:READ:CHPower?

Title: Read Channel Power/Density

Description: Triggers a new channel power measurement and returns the results: channel power and channel power density. It is a combination of the commands :ABORT; :INITiate; :FETCh:CHPower? The channel power measurement must be the active measurement (specified by the command :CONFigure:CHPower). The current measurement can be queried using the command :CONFigure?

Data is returned as 2 comma-separated values: channel power, channel power density.

Related Command: :READ:CHPower:CHPower?
:READ:CHPower:DENSity?
:CONFigure

:READ:OBWidth?

Title: Read Occupied Bandwidth

Description: Triggers a new occupied bandwidth measurement and returns the results: occupied bandwidth, percent of power and dB down. It is a combination of the commands :ABORT; :INITiate; :FETCh:OBWidth? The occupied bandwidth measurement must be the active measurement (specified by :CONFigure:OBWidth). The current measurement can be queried using the :CONFigure?

Data is returned as 3 comma-separated values: occupied bandwidth, percent of power, dB down.

Default Unit: For OBW: Hz
For Percent of Power: %
For dB Down: dB

Related Command: :CONFigure

5-11 :TRACe Subsystem

This subsystem contains commands related to the transfer of trace data to and from the instrument.

:TRACe:COPIY TRACE1,TRACE2|TRACE3

Title: Trace Copy

Description: Copies Trace A to either Trace B or Trace C. Copying Trace A to Trace B is equivalent to pressing the Shift-5 (Trace), Trace B Operations, A->B on the front panel. This store Trace A into Trace B and turns on Trace B if it was off. Copying Trace A to Trace C is equivalent to pressing the Shift-5 (Trace), Trace C Operations, A->C on the front panel. This store Trace A into Trace C and turns on Trace C if it was off.

Parameter: TRACE1,TRACE2|TRACE3

Parameter Type: <char>

Example: To copy Trace A to Trace B:

```
:TRACe:COPIY TRACE1,TRACE2
```

To copy Trace A to Trace C:

```
:TRACe:COPIY TRACE1,Trace3
```

:TRACe:EXCHange TRACE2,TRACE3

Title: Trace Exchange

Description: Swaps Trace B and Trace C.

Parameter: TRACE2,TRACE3

Parameter Type: <char>

Front Panel Access: Shift-5 (Trace), Trace B Operations, B<->C
Shift-5 (Trace), Trace C Operations, B<->C

:TRACe:PREamble? {1|2|3}

Title: Trace Header Transfer

Description: Returns trace header information for the specified trace. Data can be transferred to and from the 3 available display traces. Use the commands in the MMEMory subsystem to store and recall traces from the instrument memory. The response begins with an ASCII header. The header specifies the number of following bytes. It looks like #AX, where A is the number of digits in X and X is the number of bytes that follow the header. Parameters are returned in comma-delimited ASCII format. Each parameter is returned as "NAME=VALUE[UNITS]." Note that the parameters returns depend on the firmware version and that this document does not cover all parameter values returned by the command. Valid parameter names are shown in "[Spectrum Analyzer Parameter Names](#)" on page 2-10.

Parameter: [1]|2|3

Range: 1|2|3

:TRACe[:DATA] {1|2|3}, (<header><block>)**:TRACe[:DATA]? {1|2|3}**

Title: Trace Data Transfer

Description: This command transfers data from the controlling program to the instrument. The query form transfers trace data from the instrument to the controller. Data is transferred to the instrument enclosed in parentheses as (<header><block>) and from the instrument as <header><block>.

The ASCII header specifies the number of data bytes. It looks like #AX, where A is the number of digits in X and X is the number of bytes in the <block>.

The format of the block data in the query form is specified by :FORMat:DATA. The block data in the command form is always sent in ASCII format. Data can be transferred to and from the 3 available display traces. Use the commands in the MMEMory subsystem to store and recall traces from the instrument memory. The command form does not support setting all trace points to a single value. To do this, send the same value to each point. Trace setup information can be acquired using :TRACe[:DATA]:PREamble?.

To acquire the data from trace A in the instrument send :TRACe[:DATA]? 1. A 551 point trace is returned as #42204<block data>. <block> data could be in either INTeger,32 or REAL,32 format. In both cases, there is 4 bytes per data point. So, 4 bytes per point * 551 data points gives 2204 bytes in <block> data. This example assumes that :FORMat:DATA INTeger,32 or :FORMat:DATA REAL,32 has been sent to the instrument before the query command is sent.

The query command will return a #0 if data is invalid for the active trace.

Parameter: {1|2|3},(<header><block>)

Related Command: :FORMat:DATA
:TRACe[:DATA]:PREamble?

:TRACe{1|2|3}:DISPlay[:STATe] OFF|ON|0|1

:TRACe{1|2|3}:DISPlay[:STATe]?

Title: Trace View State

Description: Specifies whether the specified trace should be displayable (visible) or hidden. TRACe1 corresponds to Trace A, TRACe2 corresponds to Trace B, and TRACe3 corresponds to Trace C. Setting the value to ON or 1 will set the specified trace visible. Setting the value to OFF or 0 will set the specified trace hidden. Note that issuing this command will also set the specified trace as active trace.

Parameter: OFF|ON|0|1

Parameter Type: <boolean>

Default Value: ON for Trace A
OFF for Trace B
OFF for Trace C

Example: To set Trace A to Blank:

```
:TRACe:DISPlay OFF
:TRACe1:DISPlay 0
```

To set Trace B to View:

```
:TRACe2:DISPlay ON
:TRACe2:DISPlay:STATe ON
:TRACe2:DISPlay 1
```

Front Panel Access: Shift-5 (Trace), View/Blank

:TRACe{1|2|3}:WRITE[:STATe] OFF|ON|0|1

:TRACe{1|2|3}:WRITE[:STATe]?

Title: Trace Write State

Description: Specifies whether the specified trace state should be set to write or hold. TRACe1 corresponds to Trace A, TRACe2 corresponds to Trace B, and TRACe3 corresponds to Trace C. Setting the state to ON or 1 will set the specified trace to write. Setting the state to OFF or 0 will set the specified trace to hold.

Parameter: OFF|ON|0|1

Parameter Type: <boolean>

Default Value: ON for Trace A
OFF for Trace B
OFF for Trace C

Example: To set Trace A to Hold:

```
:TRACe:WRITE:STATe OFF
:TRACe:WRITE OFF OR :TRACe:WRITE 0
```

To set Trace C to Write:

```
:TRACe3:WRITE ON
:TRACe3:WRITE:STATe ON
:TRACe3:WRITE 1
```

Related Command: :TRACe:DATA

Front Panel Access: Shift-5 (Trace), Write/Hold

:TRACe1:OPERation NORMAl|MAXHold|MINHold|AVERAge

:TRACe1:OPERation?

Title: Trace A Operation

Description: This command specifies how successive traces are combined to produce the resulting display values.

Setting the operation to NORMAl is equivalent to pressing the Shift-5 (Trace), Trace A Operations, Normal->A on the front panel. This displays a trace based on the detection method selected.

Setting the operation to MAXHold is equivalent to pressing the Shift-5 (Trace), Trace A Operations, Max Hold->A on the front panel. This displays the largest signal for each display point over multiple sweeps.

Setting the operation to MINHold is equivalent to pressing the Shift-5 (Trace), Trace A Operations, Min Hold->A on the front panel. This displays the smallest signal for each display point over multiple sweeps.

Setting the operation to AVERAge is equivalent to pressing the Shift-5 (Trace), Trace A Operations, Average->A on the front panel. This displays the average value of multiple sweeps for each display point.

The query version of the command returns the current operation mode or "NONE" if no operation is set.

Parameter: NORMAl|MAXHold|MINHold|AVERAge

Parameter Type: <char>

Default Value: NORMAl

Related Command: [:SENSe]:AVERAge:TYPE

:TRACe2:OPERation MAXHold|MINHold

:TRACe2:OPERation?

Title: Trace B Operation

Description: This command specifies how successive traces are combined to produce the resulting display values.

Setting the operation to MAXHold is equivalent to pressing the Shift-5 (Trace), Trace B Operations, Max Hold->B on the front panel. This displays the largest signal for each display point over multiple sweeps.

Setting the operation to MINHold is equivalent to pressing the Shift-5 (Trace), Trace B Operations, Min Hold->B on the front panel. This displays the smallest signal for each display point over multiple sweeps.

The query version of the command returns the current operation mode or "NONE" if no operation is set.

Parameter: MAXHold|MINHold

Parameter Type: <char>

Default Value: None

Range: MAXHold|MINHold

:TRACe3:OPERation MAXHold|MINHold|A-B|B-A

:TRACe3:OPERation?

Title: Trace C Operation

Description: This command specifies how successive traces are combined to produce the resulting display values.

Setting the operation to MAXHold is equivalent to pressing the Shift-5 (Trace), Trace C Operations, Max Hold->C on the front panel. This displays the largest signal for each display point over multiple sweeps.

Setting the operation to MINHold is equivalent to pressing the Shift-5 (Trace), Trace C Operations, Min Hold->C on the front panel. This displays the smallest signal for each display point over multiple sweeps.

Setting the operation to A-B is equivalent to pressing the Shift-5 (Trace), Trace C Operations, A-B->C. This displays the difference between trace A and trace B values in trace C.

Setting the operation to B-A is equivalent to pressing the Shift-5 (Trace), Trace C Operations, B-A->C. This displays the difference between trace B and trace A values in trace C.

The query version of the command returns the current operation mode or "NONE" if no operation is set.

Parameter: MAXHold|MINHold|A-B|B-A

Parameter Type: <char>

Default Value: None

Range: MAXHold|MINHold|A-B|B-A

5-12 :TRIGger Subsystem

This subsystem contains commands related to the triggering of instrument functions for the purposes of synchronization. Related commands appear in the ABORT and INITiate subsystems.

:TRIGger[:SEQuence]:SOURce IMMEDIATE|EXTERNAL|VIDEO
:TRIGger[:SEQuence]:SOURce?

Title: Trigger Source

Description: This command defines the trigger source. IMMEDIATE triggering is the equivalent of free-run triggering. EXTERNAL triggering is triggered when a TTL signal is applied to the External Trigger input connector. EXTERNAL triggering is always done on the rising edge of the signal. It is available only in zero span mode.

Parameter: IMMEDIATE|EXTERNAL|VIDEO

Parameter Type: <char>

Default Value: Immediate

Range: IMMEDIATE|EXTERNAL|VIDEO

Related Command: :TRIGger[:SEQuence]:VIDeo:LEVel
 :TRIGger[:SEQuence]:VIDeo:POSition

Front Panel Access: Shift-3 (Sweep), Triggering, Source, Free Run | External | Video

:TRIGger[:SEQuence]:VIDeo:DELay <percentage> or <time>
:TRIGger[:SEQuence]:VIDeo:DELay?

Title: Video Trigger Position (time)

Description: This command sets the video triggering delay as either a percentage of the display or in time units. If setting the delay by time is desired, then time units must be specified when sending the command. The query version of this command will return the video triggering delay as a percentage.

Default Value: -1

Default Unit: %

Range: -100% to 200% (-1 ms to 2 ms)

Example: To set the delay to 1 ms:

```
:TRIGger:SEQuence:VIDeo:DELay 1 ms
```

To set the delay to 1 %:

```
:TRIGger:SEQuence:VIDeo:DELay 1
```

Front Panel Access: Shift-3 (Sweep), Triggering, Delay

:TRIGger[:SEquence]:VIDeo:LEVel <amplitude>

:TRIGger[:SEquence]:VIDeo:LEVel?

Title: Video Trigger Level

Description: This command sets the video triggering level.

Parameter: <amplitude>

Default Value: -65.0 dBm

Default Unit: Current amplitude unit

Range: 30 dBm to -150 dBm

Front Panel Access: Shift-3 (Sweep), Triggering, Level

:TRIGger[:SEquence]:VIDeo:POSiTion <percentage>

:TRIGger[:SEquence]:VIDeo:POSiTion?

Title: Video Trigger Position

Description: This command sets the video triggering position as a percentage of the display. When the sweep is triggered, the trigger point is drawn at the location defined by the position. The graph appearing to the left of the trigger position is data acquired before the trigger. The graph appearing to the right of the trigger position is data acquired after the trigger.

Parameter: <percentage>

Default Value: 1

Default Unit: %

Range: 0% to 100%

Front Panel Access: Shift-3 (Sweep), Triggering, Delay

5-13 :UNIT Subsystem

The unit subsystem is used to modify the default units used for related parameters. These changes affect parameters in both commands and responses.

:UNIT:POWer DBM|DBV|DBMV|DBUV|V|W

:UNIT:POWer?

Title: Measurement Units

Description: Sets the default amplitude units for input, output and display.

Available units: dBm, dBV, dBmV, dBuV, V, W.

Note that linear units are not operational with SPA V3.06. The set command is non-operational with SPA V3.06 as well.

Parameter: DBM|DBV|DBMV|DBUV|V|W

Parameter Type: <char>

Default Value: dBm

Front Panel Access: Amplitude, Units, Unit of Measure

5-14 [[:SENSe] Subsystem

The commands in this subsystem relate to device-specific parameters, not signal-oriented parameters.

[[:SENSe]:ACPower:BANDwidth|BWIDth:ADJacent <freq>

[[:SENSe]:ACPower:BANDwidth|BWIDth:ADJacent?

Title: ACPR Adjacent Channel Bandwidth

Description: Sets the adjacent channel bandwidth for the ACPR measurement.

Parameter: <freq>

Default Value: 10.35 MHz

Default Unit: Hz

Range: 10 Hz to 7.1 GHz

Front Panel Access: Shift-4 (Measure), ACPR, Adj Ch BW

[[:SENSe]:ACPower:BANDwidth|BWIDth:MAIN <freq>

[[:SENSe]:ACPower:BANDwidth|BWIDth:MAIN?

Title: ACPR Main Channel Bandwidth

Description: Sets the main channel bandwidth for the ACPR measurement.

Parameter: <freq>

Default Value: 10.35 MHz

Default Unit: Hz

Range: 10 Hz to 7.1 GHz

Front Panel Access: Shift-4 (Measure), ACPR, Main Ch BW

[[:SENSe]:ACPower:BANDwidth|BWIDth:SPACing <freq>

[[:SENSe]:ACPower:BANDwidth|BWIDth:SPACing?

Title: ACPR Channel Spacing

Description: Sets the channel spacing for the ACPR measurement.

Parameter: <freq>

Default Value: 10.35 MHz

Default Unit: Hz

Range: 10 Hz to 7.1 GHz

Front Panel Access: Shift-4 (Measure), ACPR, Ch Spacing

[[:SENSe]:ACPower:STATE OFF|ON|0|1

[[:SENSe]:ACPower:STATE?

Title: ACPR Measurement State

Description: Sets the state of the adjacent channel power ratio measurement, ON or OFF. When using :CONFigure:ACPower, the state is automatically set to ON.

Parameter: OFF|ON|0|1

Parameter Type: <boolean>

Default Value: OFF

[:SENSe]:AVERage:COUNT <integer>

[:SENSe]:AVERage:COUNT?

Title: Number of Traces to Average

Description: Sets the number of traces to average.

Parameter: <integer>

Parameter Type: <integer>

Default Value: 10

Range: 2 to 65535

Front Panel Access: Shift-5 (Trace), Trace A Operations, # of Averages

[:SENSe]:AVERage:TYPE NONE | SCALAr | MAXimum | MINimum

[:SENSe]:AVERage:TYPE?

Title: Trace Mode (Normal/Average/Max Hold/Min Hold)

Description: Specifies how successive traces are combined to produce the resulting display value. Setting the TYPE to NONE is the equivalent of setting the trace mode to “Normal->A” on the front panel. The displayed value for a point is the current measured value for that point. Setting the TYPE to SCALAr is the equivalent of setting the trace mode to “Average->A” on the front panel. The displayed value for a point is the average of the last <integer> measured values where <integer> is set by [:SENSe]:AVERage:COUNT. Setting the TYPE to MAXimum is the equivalent of setting the trace mode to “Max Hold->A” on the front panel. The displayed value for a point is the maximum measured value for that point over sweeps. Setting the TYPE to MINimum is the equivalent of setting the trace mode to “Min Hold->A” on the front panel. The displayed value for a point is the minimum measured value for that point over sweeps.

Parameter: NONE | SCALAr | MAXimum | MINimum

Parameter Type: <char>

Default Value: NONE

Example: To set the TYPE to SCALAr:

```
:SENSe:AVERage:TYPE SCALAr
```

To set the TYPE to MAXimum:

```
:SENSe:AVERage:TYPE MAXimum
```

Related Command: [:SENSe]:AVERage:COUNT

Front Panel Access: Shift-5 (Trace), Trace A Operations

[:SENSe]:BANDwidth|BWIDth:VIDeo <freq>

[:SENSe]:BANDwidth|BWIDth:VIDeo?

Title: Video Bandwidth

Description: Sets the video bandwidth. Note that using this command turns the automatic video bandwidth setting OFF.

Parameter: <freq>

Default Value: 3 MHz

Default Unit: Hz

Range: 1 Hz to 10 MHz in a 1:3 sequence

Related Command: [:SENSe]:BANDwidth|BWIDth:VIDeo:AUTO

Front Panel Access: BW, VBW

[:SENSe]:BANDwidth|BWIDth:VIDeo:AUTO OFF|ON|0|1

[:SENSe]:BANDwidth|BWIDth:VIDeo:AUTO?

Title: Video Bandwidth Coupling

Description: Sets the state of the coupling of the video bandwidth to the resolution bandwidth. Setting the value to ON or 1 will result in the video bandwidth being coupled to the resolution bandwidth. That is, when the resolution bandwidth changes, the video bandwidth changes. Setting the value to OFF or 0 will result in the video bandwidth being un-coupled from the resolution bandwidth. That is, changing the resolution bandwidth will not change the video bandwidth. When this command is issued, the video bandwidth setting itself will not change. The default value is ON. That is, sending :SENS:BAND:VID:AUTO is equivalent to sending :SENS:BAND:VID:AUTO ON.

Parameter: OFF|ON|0|1

Parameter Type: <boolean>

Default Value: ON

Front Panel Access: BW, Auto VBW

[:SENSe]:BANDwidth|BWIDth:VIDeo:RATio <number>

[:SENSe]:BANDwidth|BWIDth:VIDeo:RATio?

Title: Video Bandwidth to Resolution Bandwidth Ratio

Description: Sets the ratio of the video bandwidth to the resolution bandwidth for use when the video to resolution bandwidth coupling is enabled. Note that the front panel interface sets the inverse ratio: the resolution bandwidth to the video bandwidth.

Parameter: <number>

Default Value: 0.33

Range: 0.000001 to 1

Related Command: [:SENSe]:BANDwidth|BWIDth:VIDeo:AUTO

Front Panel Access: BW, RBW/VBW (note that this is the inverse ratio)

```
[:SENSe]:BANDwidth|BWIDth:VIDeo:TYPE LOGarithmic|LINear
[:SENSe]:BANDwidth|BWIDth:VIDeo:TYPE?
```

Title: VBW/Average Type

Description: Changes the VBW/Average type.

Default Value: LINear

Front Panel Access: BW, VBW/Average Type

```
[:SENSe]:BANDwidth|BWIDth[:RESolution] <freq>
[:SENSe]:BANDwidth|BWIDth[:RESolution]?
```

Title: Resolution Bandwidth

Description: Sets the resolution bandwidth. Note that using this command turns the automatic resolution bandwidth setting OFF.

Parameter: <freq>

Default Value: 10 MHz

Default Unit: Hz

Range: 1 Hz to 10 MHz in a 1:3 sequence

Related Command: [:SENSe]:BANDwidth|BWIDth[:RESolution]:AUTO

Front Panel Access: BW, RBW

```
[:SENSe]:BANDwidth|BWIDth[:RESolution]:AUTO OFF|ON|0|1
[:SENSe]:BANDwidth|BWIDth[:RESolution]:AUTO?
```

Title: Resolution Bandwidth Coupling

Description: Sets the state of the coupling of the resolution bandwidth to the frequency span. Setting the value to ON or 1 will result in the resolution bandwidth being coupled to the span. That is, when the span changes, the resolution bandwidth changes. Setting the value to OFF or 0 will result in the resolution bandwidth being un-coupled from the span. That is, changing the span will not change the resolution bandwidth. When this command is issued, the resolution bandwidth setting itself will not change. The default value is ON. That is, sending :SENS:BAND:RES:AUTO is equivalent to sending :SENS:BAND:RES:AUTO ON.

Parameter: OFF|ON|0|1

Parameter Type: <boolean>

Default Value: ON

Related Command: [:SENSe]:BANDwidth|BWIDth[:RESolution]:RATio

Front Panel Access: BW, Auto RBW

[:SENSe]:BANDwidth|BWIDth[:RESolution]:RATio <number>

[:SENSe]:BANDwidth|BWIDth[:RESolution]:RATio?

Title: Resolution Bandwidth to Span Ratio

Description: Sets the ratio of the resolution bandwidth to the span for use when the resolution bandwidth to span coupling is enabled. Note that the front panel interface sets the inverse ratio: the span to the resolution bandwidth.

Parameter: <number>

Default Value: 0.010000

Range: 0.000001 to 1

Related Command: [:SENSe]:BANDwidth|BWIDth[:RESolution]:AUTO

Front Panel Access: BW, Span/RBW (note that this is the inverse ratio)

[:SENSe]:CHPower:BANDwidth|BWIDth:INTEgration <freq>

[:SENSe]:CHPower:BANDwidth|BWIDth:INTEgration?

Title: Channel Power Integration Bandwidth

Description: Sets the integration bandwidth for the channel power measurement. Integration bandwidth must be less than or equal to the frequency span.

Parameter: <freq>

Default Value: 10.35 MHz

Default Unit: Hz

Range: 10 Hz to 7.1 GHz

Related Command: [:SENSe]:FREQuency:SPAN

Front Panel Access: Shift-4 (Measure), Channel Power, Ch Pwr Width

[:SENSe]:CHPower:STATe OFF|ON|0|1

[:SENSe]:CHPower:STATe?

Title: Channel Power Measurement State

Description: Sets the state of the channel power measurement, ON or OFF. When using :CONFigure:CHPower, the state is automatically set to ON.

Parameter: OFF|ON|0|1

Parameter Type: <boolean>

Default Value: OFF

Related Command: :CONFigure:ACPower

Front Panel Access: Shift-4 (Measure), ACPR, On/Off

[:SENSE]:CORREction:IMPedance[:INPut]:OFFSet <rel ampl>

[:SENSE]:CORREction:IMPedance[:INPut]:OFFSet?

Title: Other Input Impedance Loss

Description: Sets the value that is used for amplitude correction when the value set by [:SENSE]:CORREction:IMPedance[:INPut][:MAGNitude] is something other than 50 or 75. This value is not applied if the impedance is set to either 50 or 75.

Parameter: <rel ampl>

Default Value: 0

Default Unit: dB

Range: 0 dB to 100 dB

Related Command: [:SENSE]:CORREction:IMPedance[:INPut][:MAGNitude]

Front Panel Access: Shift-8 (System), Application Options, Impedance

[:SENSE]:CORREction:IMPedance[:INPut][:MAGNitude] <integer>

[:SENSE]:CORREction:IMPedance[:INPut][:MAGNitude]?

Title: Input Impedance

Description: Sets the input impedance that is used for amplitude correction and conversion between units (dBm vs. dBV vs. Volts, etc.). If the value of <integer> is 50, no correction is performed. If the value of <integer> is 75, correction is done based on Anritsu adapter 12N50-75B. To place the instrument in Other or offset mode, send a 2. Once in the "Other" mode, the command, [:SENSE]:CORREction:IMPedance[:INPut]:OFFSet, can be used to adjust the offset.

Parameter: <integer>

Parameter Type: <integer>

Default Value: 50 Ohm

Range: 50 Ohm, 75 Ohm, all other values are treated as described above

Front Panel Access: Shift-8 (System), Application Options, Impedance

[:SENSE]:DETEctor[:FUNCTion] POSitive | RMS | NEGative | SAMPlE | QUASI

[:SENSE]:DETEctor[:FUNCTion]?

Title: Detection Type

Description: Sets the detection method for calculating each display point. Each display point represents several measurements. The detection type determines how the display point is derived from its associated measurements. POSitive Peak detection displays the maximum value of the associated measurements. RMS detection displays the average power of the associated measurements. NEGative Peak detection displays the minimum value of the associated measurements. SAMPlE detection displays the "middle" point of those measurements associated with a display point. For example, if there are 3 measurement frequencies associated with a given display point, sample detection will display the value at the frequency of the second measurement point.

Parameter: POSitive | RMS | NEGative | SAMPlE | QUASI

Parameter Type: <char>

Default Value: (Positive) Peak

Front Panel Access: Amplitude, Detection, Peak | RMS | Negative | Sample | Quasi

[:SENSe]:FREQUENCY:CENTER <freq>

[:SENSe]:FREQUENCY:CENTER?

Title: Center Frequency

Description: Sets the center frequency. Note that changing the value of the center frequency will change the value of the coupled parameters Start Frequency and Stop Frequency. It may also change the value of the span.

Parameter: <freq>

Default Value: 3.55 GHz

Default Unit: Hz

Range: 0 Hz and 10 Hz to 7.099 GHz

Front Panel Access: Freq, Center Freq

[:SENSe]:FREQUENCY:SIGStandard:CHANnel <number>

[:SENSe]:FREQUENCY:SIGStandard:CHANnel?

Title: Channel Selection

Description: Sets the channel number for the selected signal standard.

Parameter: <number>

Front Panel Access: Frequency, Channel

[:SENSe]:FREQUENCY:SIGStandard:NAME <string>

[:SENSe]:FREQUENCY:SIGStandard:NAME?

Title: Signal Standard

Description: Selects the desired signal standard from the list. The <string> argument is the name of the desired signal standard as displayed in the instrument's current signal standard list. The list can be seen on the instrument by choosing the Signal Standard submenu button in the Freq menu. The list can also be downloaded remotely and viewed using Anritsu Master Software Tools. For example, if the desired Signal Standard is P-GSM 900 - Uplink, then the value of the <string> argument would be "P-GSM 900 - Uplink".

The query form of this command will return the name of the currently selected Signal Standard from the list.

Parameter: <string>

Front Panel Access: Freq, Signal Standard

[:SENSe]:FREQUENCY:SPAN <freq>

[:SENSe]:FREQUENCY:SPAN?

Title: Frequency Span

Description: Sets the frequency span. Setting the value of <freq> to 0 Hz is the equivalent of setting the span mode to zero span. Note that changing the value of the frequency span will change the value of the coupled parameters Start Frequency and Stop Frequency and may change the Center Frequency.

Parameter: <freq>

Default Value: 7.1 GHz

Default Unit: Hz

Range: 0 Hz to 7.1 GHz

[:SENSe]:FREQUENCY:SPAN:FULL

Title: Frequency Span – Full

Description: Sets the frequency span to full span. Note that changing the value of the frequency span will change the value of the coupled parameters, Start Frequency and Stop Frequency and may change the Center Frequency.

Default Value: 7.1 GHz

Front Panel Access: Span, Full Span

[:SENSe]:FREQUENCY:SPAN:PREVIOUS

Title: Frequency Span – Last

Description: Sets the frequency span to the previous span value. Note that changing the value of the frequency span will change the value of the coupled parameters, Start Frequency and Stop Frequency and may change the Center Frequency.

Default Unit: Hz

Range: 0 Hz and 10 Hz to 7.1 GHz

Front Panel Access: Freq, Span, Last Span

[:SENSe]:FREQUENCY:START <freq>**[:SENSe]:FREQUENCY:START?**

Title: Start Frequency

Description: Sets the start frequency. Note that in the spectrum analyzer, changing the value of the start frequency will change the value of the coupled parameters, Center Frequency and Span.

Parameter: <freq>

Default Value: 0 Hz

Default Unit: Hz

Range: 0 Hz to 7.1 GHz

Related Command: [:SENSe]:FREQUENCY:STOP?

Front Panel Access: Freq, Start Freq

[:SENSe]:FREQUENCY:STEP[:INCREMENT] <freq>**[:SENSe]:FREQUENCY:STEP[:INCREMENT]?**

Title: Frequency Step

Description: Sets the frequency step to the given frequency value.

Parameter: <freq>

Default Value: 1 MHz

Default Unit: Hz

Range: 1 Hz to 7.1 GHz

Front Panel Access: Freq, Freq Step

[:SENSe]:FREQuency:STOP <freq>

[:SENSe]:FREQuency:STOP?

Title: Stop Frequency

Description: Sets the stop frequency. Note that in the spectrum analyzer, changing the value of the stop frequency will change the value of the coupled parameters, Center Frequency and Span.

Parameter: <freq>

Default Value: 7.1 GHz

Default Unit: Hz

Range: 10 Hz to 7.1 GHz

[:SENSe]:FSTRength:ANTenna <antenna>

[:SENSe]:FSTRength:ANTenna?

Title: Field Strength Antenna

Description: Selects an antenna from the antenna list to use for field strength measurement result calculations. The <antenna> argument is a 1-based index of the position of the desired antenna in the instrument's current antenna list. The list can be seen on the instrument by choosing the "Antenna" soft-key button in the "F Strength" menu. For example, if the desired antenna were the 3rd item on the antenna listing then the value of the <antenna> argument would be 3. Setting the <antenna> argument to 0 indicates that no antenna is selected.

The query form of this command will return the index of the currently-selected antenna.

Parameter: <antenna>

Default Value: 1

Related Command: :CONFigure:FSTRength

Front Panel Access: Shift-4 (Measure), Field Strength, Antenna

[:SENSe]:FSTRength:STATE OFF|ON|0|1

[:SENSe]:FSTRength:STATE?

Title: Field Strength Measurement State

Description: Sets the state of the field strength measurement, ON or OFF. When using :CONFigure:FSTRength, the state is automatically set to ON.

Parameter: OFF|ON|0|1

Parameter Type: <boolean>

Default Value: OFF

Related Command: :CONFigure:CHPower

Front Panel Access: Shift-4 (Measure), Field Strength, On/Off

[:SENSE]:IQ:SAMPLERate <freq>

[:SENSE]:IQ:SAMPLERate?

Title: Sample Rate

Description: Sets the sample rate. Sample rate choices are 25 kHz, 500 kHz, 2.5 MHz, 6.25 MHz, 12.5 MHz, 20 MHz, and 40 MHz. The query returns the current Sample Rate frequency in Hz.

Parameter: <freq>

Default Value: 40 MHz

Range: 25 kHz, 500 kHz, 2.5 MHz, 6.25 MHz, 12.5 MHz, 20 MHz, 40 MHz

Front Panel Access: Shift-4 (Measure), More, IQ Waveform Capture, Sample Rate

[:SENSE]:IQ:LENGth <seconds>

[:SENSE]:IQ:LENGth?

Title: Capture Length

Description: Sets the length of the capture time in milliseconds. Query returns the length of the current capture time in milliseconds.

Parameter: <seconds>

Parameter Type: <char>

Default Value: 10 ms

Default Unit: ms

Range: 1 us to 800 ms

Front Panel Access: Shift-4 (Measure), More, IQ Waveform Capture, Capture Length

[:SENSE]:OBWidth:METHod XDB|PERCent

[:SENSE]:OBWidth:METHod?

Title: Occupied Bandwidth Measurement Method

Description: Sets the method for calculating occupied bandwidth. XDB calculates the occupied bandwidth based on points a specified number of dB below the carrier. Issue command [:SENSE]:OBWidth:XDB to set the number of dB to be used. PERCent calculates the occupied bandwidth based on points a specified percentage of the carrier power below the carrier. Issue command [:SENSE]:OBWidth:PERCent to set the percentage to be used.

Parameter: XDB|PERCent

Parameter Type: <char>

Default Value: PERCent

Related Command: [:SENSE]:OBWidth:XDB [:SENSE]:OBWidth:PERCent

Front Panel Access: Shift-4 (Measure), OCC BW, Method, % Int Pwr |> dBc

[:SENSe]:OBWidth:PERCent <percentage>

[:SENSe]:OBWidth:PERCent?

Title: Occupied Bandwidth Percent of Power

Description: This command sets the percentage of carrier power used to measure the occupied bandwidth. This value is used in the measurement if :SENSe:OBWidth:METHOD is set to PERCent.

Parameter: <percentage>

Default Value: 99

Default Unit: %

Range: 0% to 100%

Related Command: [:SENSe]:OBWidth:METHOD

Front Panel Access: Shift-4 (Measure), OCC BW, %

[:SENSe]:OBWidth:STATe OFF|ON|0|1

[:SENSe]:OBWidth:STATe?

Title: Occupied Bandwidth Measurement State

Description: Sets the state of the occupied bandwidth measurement, ON or OFF. When using :CONFigure:OBWidth, the state is automatically set to ON.

Parameter: OFF|ON|0|1

Parameter Type: <boolean>

Default Value: OFF

Related Command: :CONFigure:OBWidth

Front Panel Access: Shift-4 (Measure), OCC BW, On/Off

[:SENSe]:OBWidth:XDB <rel ampl>

[:SENSe]:OBWidth:XDB?

Title: Occupied Bandwidth dB Down

Description: This command sets the number of dB below the carrier used to measure the occupied bandwidth. This value is used in the measurement if :SENSe:OBWidth:METHOD is set to XDB.

Parameter: <rel ampl>

Default Value: 3 dBc

Default Unit: dBc

Range: 0 to 100 dBc

Related Command: [:SENSe]:OBWidth:METHOD

Front Panel Access: Shift-4 (Measure), OCC BW, dBc

[:SENSe]:OPTion:IF:BWState 1|2|3|4|5

[:SENSe]:OPTion:IF:BWState?

Title: IF Bandwidth State

Description: Sets the IF Bandwidth. Setting a value of 1 is equivalent of setting the IF Bandwidth to Normal on the front panel. Setting a value of 3 is equivalent of setting the IF Bandwidth to 10 MHz BW on the front panel. Setting the value of 4 is equivalent of setting the IF Bandwidth to 16 MHz BW on the front panel. Note that option 89 must be available and in Zero span for the command to be valid. The query version of this command will return a 0 if not in zero span.

Parameter: 1|2|3|4|5

Range: 1|2|3|4|5

Front Panel Access: Span, Zero Span

[:SENSe]:POWer[:RF]:ATTenuation <rel ampl>

[:SENSe]:POWer[:RF]:ATTenuation?

Title: Input Attenuation

Description: Sets the input attenuation. Note that issuing this command will set the automatic input attenuation OFF.

Parameter: <rel ampl>

Default Value: 30 dB

Default Unit: dB

Range: 0 dB to 65 dB

Related Command: [:SENSe]:POWer[:RF]:ATTenuation:AUTO

Front Panel Access: Amplitude, Atten Lvl

[:SENSe]:POWer[:RF]:ATTenuation:AUTO OFF|ON|0|1

[:SENSe]:POWer[:RF]:ATTenuation:AUTO?

Title: Input Attenuation Coupling

Description: Sets the input attenuation coupling. Setting the value to ON or 1 will result in the input attenuation being coupled to the reference level. Setting the value to OFF or 0 will result in the input attenuation being un-coupled from the reference level. That is, changing the reference level will not change the input attenuation. When this command is issued, the input attenuator setting itself will not change. The default value is ON. That is, sending :SENS:POW:ATT:AUTO is equivalent to sending :SENS:POW:ATT:AUTO ON.

Parameter: OFF|ON|0|1

Parameter Type: <boolean>

Default Value: ON

Related Command: [:SENSe]:POWer[:RF]:ATTenuation

Front Panel Access: Amplitude, Auto Atten

[:SENSe]:POWer[:RF]:GAIN[:STATe] OFF|ON|0|1

[:SENSe]:POWer[:RF]:GAIN[:STATe]?

Title: Preamp State

Description: Sets the state of the preamp. Note that this may cause a change in the reference level and/or attenuation.

Parameter: OFF|ON|0|1

Parameter Type: <boolean>

Default Value: OFF

Front Panel Access: Amplitude, Pre Amp

[:SENSe]:SWEep:TIME[:LLIMit]

[:SENSe]:SWEep:TIME[:LLIMit]?

Title: Minimum Sweep Time

Description: Sets the value of the minimum sweep time parameter. The sweep will complete in the shortest time possible greater than the specified time. To sweep as fast as possible, enter the minimum value allowed for the sweep time.

Default Value: 0.001

Default Unit: Seconds

Range: 10 μ s to 600000000 μ s

Front Panel Access: Shift-3 (Sweep), Sweep Time

[:SENSe]:SWEep:TIME:ACTual?

Title: Actual sweep time.

Description: Returns the actual sweep time in seconds as opposed to the specified sweep time.

[:SENSe]:SWEep:TIME:AUTO ON|OFF

[:SENSe]:SWEep:TIME:AUTO?

Title: Auto Sweep Time

Description: Toggles Auto Sweep Time.

Front Panel Access: Shift-3 (Sweep), Auto Sweep Time

Chapter 6 — VSG Commands

6-1 [:SENSe] Subsystem

The commands in this subsystem relate to device-specific parameters, not signal-oriented parameters.

:INITiate:IMMediate

Title: Manual Trigger

Description: When this command is received, the instrument will begin to play the modulated signal pattern(s) that have been selected. Prior to issuing this command the user must select the proper signals, set up the trigger delay, and select the desired trigger type. After these parameters are set, the user must turn modulation ON for the desired output (signal and/or interferer).

Related Command: [:SENSe][:SIGNal]:MODulation
[:SENSe][:SIGNal]:USER:PATTern
[:SENSe]:TRIGger
[:SENSe]:TRIGger:DELay

[:SENSe]:FREQuency:CENTer[:SIGNal] <freq>
[:SENSe]:FREQuency:CENTer[:SIGNal]?

Title: Center Frequency

Description: Edits the center frequency of the main signal. The query reports the center frequency of the main signal.

Default Unit: Hz

[:SENSe]:FREQuency:OFFSet[:INTerferer] <freq>
[:SENSe]:FREQuency:OFFSet[:INTerferer]?

Title: Offset Frequency

Description: Edits the center frequency of the interferer. The query reports the center frequency of the interferer.

Range: -5 MHz to 5 MHz

Default Unit: Hz

[:SENSe]:INTerferer:MODE OFF|CW|MOD
[:SENSe]:INTerferer:MODE?

Title: Main Signal Mode

Description: Sets the mode of the interferer. The query reports the mode of the interferer.

Range: OFF|CW|MOD

[:SENSE]:INTERferer:POWER <power level>

[:SENSE]:INTERferer:POWER?

Title: Interferer Power Level

Description: Changes the interferer power level. The query reports the interferer power level.

Range: -124 dBm to 0 dBm

Default Unit: dBm

[:SENSE]:INTERferer:USER:PATTERN

[:SENSE]:INTERferer:USER:PATTERN?

Title: Interferer User Pattern

Description: Select a user pattern from the pattern index to apply to the interferer. The query returns the user pattern index number for the interferer (-1 if no current pattern).

[:SENSE]:NOISE:POWER <power level>

[:SENSE]:NOISE:POWER?

Title: Relative Noise Power Level

Description: Edits the relative noise power level. The query reports the relative noise power level.

Range: -124 dBm to 0 dBm

Default Unit: dBm

[:SENSE]:RF OFF|ON|0|1

[:SENSE]:RF?

Title: RF Power

Description: Toggles the RF power state (on/off). The query reports the RF power state.

Range: OFF|ON|0|1

[:SENSE]:TRIGger <NONE|POS|NEG>

[:SENSE]:TRIGger?

Title: Trigger Type

Description: Selects the type of external trigger for modulation. The query reports the trigger type. Return values for this command are 0 for NONE, 1 for POS, and 2 for NEG.

Range: NONE|POS|NEG

[:SENSE]:TRIGger:DElay <seconds>

[:SENSE]:TRIGger?

Title: Trigger Delay

Description: Sets the trigger delay time. The query reports the trigger delay.

Default Unit: Seconds

[:SENSE][:SIGNal]:MODE OFF|CW|MOD

[:SENSE][:SIGNal]:MODE?

Title: Main Signal Mode

Description: Sets the mode of the main signal. The query reports the mode of the main signal.

Range: OFF|CW|MOD

[:SENSe][:SIGNal]:POWer <power level>

[:SENSe][:SIGNal]:POWer?

Title: Main Power Level

Description: Changes the main signal power level. The query reports the main signal power level.

Default Unit: dBm

[:SENSe][:SIGNal]:USER:PATtern

[:SENSe][:SIGNal]:USER:PATtern?

Title: Interferer User Pattern

Description: Select a user pattern from the pattern index to apply to the main signal. The query returns the user pattern index number for main signal (-1 if no current pattern).

Chapter 7 — GSM Commands

7-1 :ABORt Subsystem

The abort subsystem includes commands that allow the user to stop current measurement activities on the instrument.

:ABORt

Title: Abort

Description: Restarts the current sweep and/or measurement. Resets the trigger system. If :INITiate:CONTinuous is OFF (i.e. the instrument is in single sweep mode), send the command :INITiate[:IMMediate] to trigger the next sweep. If :INITiate:CONTinuous is ON (i.e. the instrument is in continuous sweep mode) a new sweep will start immediately.

Parameter: NA

Related Command: :INITiate:CONTinuous
:INITiate[:IMMediate]

Front Panel Access: Shift-3 (Sweep), Trigger Sweep

7-2 :CONFigure Subsystem

This set of commands prepares the instrument for the selected measurement. It disables any currently-enabled measurements and activates the specified measurement. It sets the instrument to single sweep mode, waiting for an :INITiate command. It will not initiate the taking of a measurement.

Current instrument settings may be changed to default values. These changes are identified with their respective measurement commands.

:CONFigure:SUMMary

Title: Configure Summary Measurement

Description: This command configures the summary of all the related numerical measurement results. It disables any other active measurements. None of the instrument parameters are changed by the execution of this command. Sets the instrument to single sweep mode (:INITiate:CONTInuous OFF). Measurement settings can be modified by using the [:SENSe] commands before initiating a measurement.

Front Panel Access: Shift-4 (Measurement) , GSM/EDGE Summary

:CONFigure:DEMod

Title: Configure Demodulation Measurement

Description: This command configures the Demodulator measurement. It disables any other active measurements. None of the instrument parameters are changed by the execution of this command. Sets the instrument to single sweep mode (:INITiate:CONTInuous OFF). Measurement settings can be modified by using the [:SENSe] commands before initiating a measurement.

Front Panel Access: Shift-4 (Measurement), Demodulator

:CONFigure:PFail

Title: Configure PASS/FAIL Measurement

Description: This command configures the PASS/FAIL measurement. It disables any other active measurements. None of the instrument parameters are changed by the execution of this command. Sets the instrument to single sweep mode (:INITiate:CONTInuous OFF). Measurement settings can be modified by using the [:SENSe] commands before initiating a measurement. The measurement results are equivalent to the results that are displayed by choosing Measurements, then Pass/Fail mode from the front panel.

Related Command: :FETCh:PFail?
MEASure:PFail?
READ:PFail?

Front Panel Access: Shift-4 (Measurement), Pass/Fail Mode

:CONFigure:PVTFrame

Title: Configure Power vs. Time (Frame) Measurement

Description: This command configures the Power vs. Time (Frame) measurement. It disables any other active measurements. None of the instrument parameters are changed by the execution of this command. Sets the instrument to single sweep mode (:INITiate:CONTinuous OFF). Measurement settings can be modified by using the [:SENSe] commands before initiating a measurement.

Related Command: MEASure:PVTFrame?
READ:PVTFrame?
FETCh:PVTFrame?

Front Panel Access: Shift-4(Measurement), Power vs. Time (Frame)

:CONFigure:PVTSlot

Title: Configure Power vs. Time (Slot) Measurement

Description: This command configures the Power vs. Time (Slot) measurement. It disables any other active measurements. None of the instrument parameters are changed by the execution of this command. Sets the instrument to single sweep mode (:INITiate:CONTinuous OFF). Measurement settings can be modified by using the [:SENSe] commands before initiating a measurement.

Related Command: MEASure:PVTSlot?
READ:PVTSlot?
FETCh:PVTSlot?

Front Panel Access: Shift-4 (Measurement), Power vs. Time (Slot)

:CONFigure:SPECTrum:MULTi

Title: Configure Multi-Channel Spectrum Measurement

Description: This command configures the Multi-Channel Spectrum measurement. It disables any other active measurements. None of the instrument parameters are changed by the execution of this command. Sets the instrument to single sweep mode (:INITiate:CONTinuous OFF). Measurement settings can be modified by using the [:SENSe]:RF commands before initiating a measurement.

Front Panel Access: Shift-4 (Measurement), Spectrum, Multi-Channel Spectrum

:CONFigure:SPECTrum:SINGLE

Title: Configure Single Channel Spectrum Measurement

Description: This command configures the Single Channel Spectrum measurement. It disables any other active measurements. None of the instrument parameters are changed by the execution of this command. Sets the instrument to single sweep mode (:INITiate:CONTinuous OFF). Measurement settings can be modified by using the [:SENSe]:RF commands before initiating a measurement.

Related Command: MEASure:SPECTrum:SINGLE?
READ:SPECTrum:SINGLE?
FETCh:SPECTrum:SINGLE?

Front Panel Access: Shift-4 (Measurement), Spectrum, Channel Spectrum

:CONFigure?

Title: Configure Query

Description: :CONFigure? query returns the name of the measurement previously set up using a CONFigure command or a MEASure? query. The list below shows the possible return values and the actual names of each configuration.

Returns Value	Actual Name
SPEC, SING	Single Channel Spectrum
SPEC, MULT	Multi-Channel Spectrum
PVTF	Power vs. Time (Frame)
PVTS	Power vs. Time (Slot)
DEM	Demodulator
PF	Pass/Fail Mode
SUMM	Summary

7-3 :DISPlay Subsystem

This subsystem provides commands that modify the display of data for the user. They do not modify the way in which data are returned to the controller.

:DISPlay:WINDow:TRACe:Y[:SCALE]:OFFSet <rel ampl>

:DISPlay:WINDow:TRACe:Y[:SCALE]:OFFSet?

Title: Power Offset

Description: Sets the power offset value for the y-axis.

Parameter: <rel ampl>

Default Value: 0 dB

Default Unit: dB

Range: -100 dB to 100 dB

Front Panel Access: Amplitude, Power Offset

7-4 :FETCh Subsystem

This set of commands returns the most recent measurement data of the active measurement. They will not switch to another measurement.

To make a new measurement, use the INITiate command. To get new measurement data, use the READ or MEASure query commands.

:FETCh:DEMod?

Title: Fetch Demodulator

Description: Returns the most recent Demodulator measurement results. The Demodulator measurement must be the active measurement. The current measurement can be queried using CONFigure?. Use the CONFigure:DEMod command to set Demodulator as the active measurement.

Data is returned as 9 comma-delimited values: Phase Error (rms), Phase Error (peak), EVM (rms) in %, EVM (peak) in %, Origin Offset in dB, C/I in dB, Magnitude Error (rms) in %, Modulation Type, and TSC. "--" is returned for data that is not valid at that instance.

Related Command: MEASure:DEMod?
CONFigure:DEMod
READ:DEMod?

:FETCh:PFail?

Title: Fetch PASS/FAIL

Description: Returns the most recent PASS/FAIL measurement results. Measurement results are returned in a block of ASCII text in the format of <header><block>. The ASCII header specifies the number of data bytes. It looks like #AX, where A is the number of digits in X and X is the number of bytes in the <block>. The block consists of a set of records which indicate individual test results. Records are comma-separated. Each record follows the format <test ID>: <input1> <input2> <min> <max> <value1> <value2> <PASS/FAIL/OPTION NOT INSTALLED>. The <test ID> field indicates which test was performed to retrieve these results. The <input1> and <input2> fields indicate the test setup. The <min> and <max> fields indicate the minimum and maximum values against which <value1> and <value2> were compared to arrive at the final PASS/FAIL result. If the specified test is not available in the instrument, the <PASS/FAIL> field will indicate "option not available" instead of "pass" or "fail". All unused fields for a given test are represented by a double dash ("--"). To receive valid measurements, the Pass/Fail measurement must be the active. The current measurement can be queried using CONFigure?. Use the :CONFigure:PFail to set Pass/Fail as the active measurement.

Related Command: MEASure:PFail?
:CONFigure:PFail
READ:PFail?

:FETCh:PVTFrame?

Title: Fetch Power vs. Time (Frame)

Description: Returns the most recent Power vs. Time (Frame) measurement results. The Power vs. Time (Frame) measurement must be the active measurement. The current measurement can be queried using CONFigure?. Use the CONFigure:PVTFrame command to set Power vs. Time (Frame) as the active measurement.

Data is returned as 9 comma-delimited values: Channel Power in dBm, Burst Power in dBm, Average Burst Power in dBm, Span in MHz, Occupied Bandwidth in MHz, Frequency Error in MHz, Frequency Error (ppm), Modulation Type, and TSC. "--" is returned for each data that is not valid at that instance.

Related Command: MEASure:PVTFrame?
CONFigure:PVTFrame
READ:PVTFrame?

:FETCh:PVTSlot?

Title: Fetch Power vs. Time (Slot)

Description: Returns the most recent Power vs. Time (Slot) measurement results. The Power vs. Time (Slot) measurement must be the active measurement. The current measurement can be queried using CONFigure?. Use the CONFigure:PVTSlot command to set Power vs. Time (Slot) as the active measurement.

Data is returned as 9 comma-delimited values: Channel Power in dBm, Burst Power in dBm, Average Burst Power in dBm, Span in MHz, Occupied Bandwidth in MHz, Frequency Error in MHz, Frequency Error (ppm), Modulation Type, and TSC. "--" is returned for each data that is not valid at that instance.

:FETCh:SPECTrum:MULTi?

Title: Fetch Multi-Channel Spectrum

Description: Returns the most recent Multi-Channel Spectrum measurement results. The Multi-Channel Spectrum measurement must be the active measurement. The current measurement can be queried using CONFigure?. Use the CONFigure:SPECTrum:MULTi command to set Multi-Channel Spectrum as the active measurement.

Data is returned as 1 value: Span in MHz.

Related Command: MEASure:SPECTrum:MULTi?
:CONFigure:SPECTrum:MULTi
READ:SPECTrum:MULTi?

:FETCh:SPECTrum:SINGLE?

Title: Fetch Single Channel Spectrum

Description: Returns the most recent Single Channel Spectrum measurement results. The Single Channel Spectrum measurement must be the active measurement. The current measurement can be queried using CONFigure?. Use the CONFigure:SPECTrum:SINGLE command to set Single Channel Spectrum as the active measurement.

Data is returned as 9 comma-delimited values.

Related Command: MEASure:PVTSlot?
:CONFigure:PVTSlot
READ:PVTSlot?

7-5 :FORMat Subsystem

This subsystem contains commands that determine the formatting of numeric data when it is transferred.

The format setting affects data in specific commands only. If a command is affected, it is noted in the command description.

:FORMat[:READings][:DATA] ASCii|INTeger,32|REAL,32

:FORMat[:READings][:DATA]?

Title: Numeric Data Format

Description: This command specifies the format in which data is returned in certain commands.

ASCii format returns the data in comma-separated ASCII format. The units are the current instrument units. This format requires many more bytes so it is the slowest format. INTeger,32 values are signed 32-bit integers in little-endian byte order. This format returns the data in 4-byte blocks. (WCDMA and Cable & Antenna only: The units are always mdBm. For example, if the measured result was -12.345 dBm, that value would be sent as -12345.) REAL,32 values are 32-bit floating point numbers conforming to the IEEE 754 standard in little-endian byte order. This format returns the data in 4-byte binary format. The units are the current instrument units.

Both INTeger,32 and REAL,32 formats return a definite block length. Each transfer begins with an ASCII header such as #42204. The first digit represents the number of following digits in the header (in this example, 4). The remainder of the header indicates the number of bytes that follow the header (in this example, 2204). You then divide the number of following bytes by the number of bytes in the data format you've chosen (4 for both INTeger,32 and REAL,32) so 2204/4 to get the number of data points (in this example, 551).

Parameter: ASCii|INTeger,32|REAL,32

Parameter Type: <char>

Default Value: ASCii

Related Command: :TRACe[:DATA]

7-6 :INITiate Subsystem

This subsystem controls the triggering of measurements.

:INITiate:CONTInuous OFF|ON|0|1

:INITiate:CONTInuous?

Title: Continuous/Single Sweep

Description: Specifies whether the sweep/measurement is triggered continuously. If the value is set to ON or 1, another sweep/measurement is triggered as soon as the current one completes. If continuous is set to OFF or 0, the instrument enters the “idle” state and waits for the :INITiate[:IMMEDIATE] command or for :INITiate:CONTInuous ON. The default value is ON. That is, sending :INIT:CONT is equivalent to sending :INIT:CONT ON. The query version of the command returns a 1 if the instrument is continuously sweeping/measuring and returns a 0 if the instrument is in single sweep/measurement mode. Note that rapid toggling between ON and OFF is not allowed. The instrument must be allowed to make a full sweep before toggling can be done. Note that the set command is available only if the instrument is in Cable & Antenna mode.

Parameter: OFF|ON|0|1

Parameter Type: <boolean>

Default Value: ON

Related Command: :INITiate[:IMMEDIATE]
:INITiate:HOLD

Front Panel Access: Shift-3 (Sweep), Sweep (Single/Continuous)

:INITiate[:IMMEDIATE]

Title: Trigger Sweep/Measurement

Description: Initiates a sweep/measurement. If :INITiate:CONTInuous is set to ON, this command is ignored. Use this command in combination with :STATus:OPERation? to synchronize the capture of one complete set of data. When this command is sent, the “sweep complete” bit of :STATus:OPERation? is set to 0, indicating that the measurement has not completed. The data collection is then triggered. The controlling program can poll :STATus:OPERation? to determine the status. When the “sweep complete” bit is set to 1, data is ready to be retrieved.

Related Command: :INITiate:CONTInuous
:STATus:OPERation?

Front Panel Access: Shift-3 (Sweep), Trigger Sweep

7-7 :MEASure Subsystem

These commands take the instrument from its current state, enable the specified measurement and put the instrument into single sweep mode. They correct any parameters that are invalid given the new measurement state such that a valid measurement can take place. Other settings may be changed; see the documentation of CONFigure for each measurement. They then initiate the measurement. When the measurement is complete, they return the result.

To make a measurement with settings other than the “default” measurement settings applied by CONFigure, do the following:

- Send the appropriate CONFigure command to set the desired measurement.
- Modify the settings as required.
- Send the appropriate READ command to measure and return the result.

To get the current measurement data, use the appropriate FETCh command.

:MEASure:DEMod?

Title: Measure Demodulator

Description: Sets the active measurement to Demodulator, sets the default measurement parameters, triggers a new measurement and returns the Phase Error (rms), Phase Error (peak), EVM (rms), EVM (peak), Origin Offset, C/I, Magnitude Error (rms), Modulation Type, and TSC measurement. It is a combination of the following commands CONFigure:DEMod; READ:DEMod? To make a Demodulator measurement with settings other than the default values send:

CONFigure:DEMod
Commands to set desired settings
READ:DEMod?

Data is returned as 9 comma-delimited values: Phase Error (rms), Phase Error (peak), EVM (rms) in %, EVM (peak) in %, Origin Offset in dB, C/I in dB, Magnitude Error (rms) in %, Modulation Type, and TSC.

“-” is returned for each data that is not valid at that instance.

Related Command: CONFigure:DEMod
READ:DEMod?
FETCh:DEMod?

Front Panel Access: Shift-4(Measurement), Demodulator

:MEASure:PFail?

Title: Measure PASS/FAIL

Description: Sets the active measurement to PASS/FAIL, sets the default measurement parameters, triggers a new measurement and returns the PASS/FAIL results. It is a combination of the commands :CONFigure:PFail; :READ:PFail? To make a channel power measurement with settings other than the default values send:

:CONFigure PFail
Commands to set desired settings
:READ:PFail?

Related Command: :CONFigure:PFail
READ:PFail?
FETCh:PFail?

Front Panel Access: Shift-4 (Measurement), PASS/FAIL mode

:MEASure:PVTFrame?

Title: Measure Power vs. Time (Frame)

Description: Sets the active measurement to Power vs. Time (Frame), sets the default measurement parameters, triggers a new measurement and returns the Channel Power, Burst Power, Average Burst Power, Span, Occupied Bandwidth, Frequency Error, Frequency Error (ppm), Modulation Type, and TSC measurement. It is a combination of the following commands `CONFigure:PVTFrame`; `READ:PVTFrame?` To make a Power vs. Time (Frame) measurement with settings other than the default values send:

`:CONFigure:PVTFrame`

Commands to set desired settings

`READ:PVTFrame?`

Data is returned as 9 comma-delimited values: Channel Power in dBm, Burst Power in dBm, Average Burst Power in dBm, Span in MHz, Occupied Bandwidth in MHz, Frequency Error in MHz, Frequency Error (ppm), Modulation Type, and TSC. "--" is returned for each data that is not valid at that instance.

:MEASure:PVTSlot?

Title: Measure Power vs. Time (Slot)

Description: Sets the active measurement to Power vs. Time (Slot), sets the default measurement parameters, triggers a new measurement and returns the Channel Power, Burst Power, Average Burst Power, Span, Occupied Bandwidth, Frequency Error, Frequency Error (ppm), Modulation Type, and TSC measurement. It is a combination of the following commands `CONFigure:PVTSlot`; `READ:PVTSlot?` To make a Power vs. Time (Slot) measurement with settings other than the default values send:

`CONFigure:PVTSlot`

Commands to set desired settings

`READ:PVTSlot?`

Data is returned as 9 comma-delimited values: Channel Power in dBm, Burst Power in dBm, Average Burst Power in dBm, Span in MHz, Occupied Bandwidth in MHz, Frequency Error in MHz, Frequency Error (ppm), Modulation Type, and TSC. "--" is returned for each data that is not valid at that instance.

Related Command: `CONFigure:PVTSlot`
`:READ:PVTSlot?`
`:FETCh:PVTSlot?`

Front Panel Access: Shift-4(Measurement), Power vs. Time (Slot)

:MEASure:SPECTrum:MULTi?

Title: Measure Multi-Channel Spectrum

Description: Sets the active measurement to Multi-Channel Spectrum, sets the default measurement parameters, triggers a new measurement and returns the Span. It is a combination of the following commands :CONFigure:SPECTrum:MULTi; :READ:SPECTrum:MULTi? To make a Multi-Channel Spectrum measurement with settings other than the default values send:

CONFigure:SPECTrum:MULTi
Commands to set desired settings
READ:SPECTrum:MULTi?

Data is returned as 1 value: Span in MHz.

Related Command: CONFigure:SPECTrum:MULTi
:READ:SPECTrum:MULTi?
FETCh:SPECTrum:MULTi?

Front Panel Access: Shift-4 (Measurement), Spectrum, Multi-Channel Spectrum

:MEASure:SPECTrum:SINGLE?

Title: Measure Single Channel Spectrum

Description: Sets the active measurement to Single Channel Spectrum, sets the default measurement parameters, triggers a new measurement and returns the Channel Power, Burst Power, Average Burst Power, Span, Occupied Bandwidth, Frequency Error, Frequency Error (ppm), Modulation Type, and TSC measurement. It is a combination of the following commands CONFigure:SPECTrum:SINGLE; READ:SPECTrum:SINGLE? To make a Single Channel Spectrum measurement with settings other than the default values send:

CONFigure:SPECTrum:SINGLE
Commands to set desired settings
READ:SPECTrum:SINGLE?

Data is returned as 9 comma-delimited values: Channel Power in dBm, Burst Power in dBm, Average Burst Power in dBm, Span in MHz, Occupied Bandwidth in MHz, Frequency Error in MHz, Frequency Error (ppm), Modulation Type, and TSC. "--" is returned for each data that is not valid at that instance.

Related Command: CONFigure:SPECTrum:SINGLE
:READ:SPECTrum:SINGLE?
:FETCh:SPECTrum:SINGLE?

Front Panel Access: Shift-4 (Measurement), Spectrum, Channel Spectrum

7-8 :READ Subsystem

This set of commands combines the ABORT, INITiate and FETCh commands. It aborts any current triggering sequence and sets the trigger state to idle. It then initiates a new active measurement (i.e. begins the collection of new data). When the measurement is complete, it returns the result. These commands will not switch to another measurement.

To get the current measurement data, use the FETCh command.

:READ:DEMod?

Title: Read Demodulator

Description: Triggers a new Demodulator measurement and returns the results: Phase Error (rms), Phase Error (peak), EVM (rms), EVM (peak), Origin Offset, C/I, Magnitude Error (rms), Modulation Type, and TSC measurement. It is a combination of the commands :ABORT; :INITiate; FETCh:DEMod? The Demodulator measurement must be the active measurement (specified by CONFigure:DEMod. The current measurement can be queried using CONFigure?

Data is returned as 9 comma-delimited values: Phase Error (rms), Phase Error (peak), EVM (rms) in %, EVM (peak) in %, Origin Offset in dB, C/I in dB, Magnitude Error (rms) in %, Modulation Type, and TSC. "--" is returned for each data that is not valid at that instance.

Related Command: MEASure:DEMod?
:CONFigure:DEMod
:FETCh:DEMod?

Front Panel Access: Shift-4(Measurement), Demodulator

:READ:PFail?

Title: Read PASS/FAIL

Description: Triggers a new PASS/FAIL measurement and returns the results. It is a combination of the commands :ABORT; :INITiate; FETCh:PFail? The PASS/FAIL measurement must be active. The current measurement can be queried using :CONFigure?

Related Command: MEASure:PFail?
:CONFigure:PFail
FETCh:PFail?
:CONFigure:PFail

Front Panel Access: Shift-4 (Measurement), PASS/FAIL Mode

:READ:PVTFrame?

Title: Read Power vs. Time (Frame)

Description: Triggers a new Power vs. Time (Frame) measurement and returns the results: Channel Power, Burst Power, Average Burst Power, Span, Occupied Bandwidth, Frequency Error, Frequency Error (ppm), Modulation Type, and TSC measurement. It is a combination of the commands :ABORT; :INITiate; FETCh:PVTFrame? The Power vs. Time (Frame) measurement must be the active measurement (specified by CONFigure:PVTFrame. The current measurement can be queried using CONFigure?

Data is returned as 9 comma-delimited values: Channel Power in dBm, Burst Power in dBm, Average Burst Power in dBm, Span in MHz, Occupied Bandwidth in MHz, Frequency Error in MHz, Frequency Error (ppm), Modulation Type, and TSC. "--" is returned for each data that is not valid at that instance.

Related Command: MEASure:PVTFrame?
:CONFigure:PVTFrame
:FETCh:PVTFrame?

Front Panel Access: Shift-4 (Measurement), Power vs. Time (Frame)

:READ:PVTSlot?

Title: Read Power vs. Time (Slot)

Description: Triggers a new Power vs. Time (Slot) measurement and returns the results: Channel Power, Burst Power, Average Burst Power, Span, Occupied Bandwidth, Frequency Error, Frequency Error (ppm), Modulation Type, and TSC measurement. Result Format See FETCh:PFail? It is a combination of the commands :ABORT; :INITiate; FETCh:PVTSlot? The Power vs. Time (Slot) measurement must be the active measurement (specified by CONFigure:PVTSlot. The current measurement can be queried using CONFigure?

Data is returned as 9 comma-delimited values: Channel Power in dBm, Burst Power in dBm, Average Burst Power in dBm, Span in MHz, Occupied Bandwidth in MHz, Frequency Error in MHz, Frequency Error (ppm), Modulation Type, and TSC. "--" is returned for each data that is not valid at that instance.

Related Command: MEASure:PVTSlot? CONFigure:PVTSlot FETCh:PVTSlot?

Front Panel Access: Shift-4 (Measurement), Power vs. Time (Slot)

:READ:SPECTrum:MULTi?

Title: Read Multi-Channel Spectrum

Description: Triggers a new Multi-Channel Spectrum measurement and returns the results: Span. It is a combination of the commands :ABORT; :INITiate; FETCh:SPECTrum:MULTi? The Multi-Channel Spectrum measurement must be the active measurement (specified by CONFigure:SPECTrum:MULTi. The current measurement can be queried using CONFigure?

Data is returned as 1 value: Span in MHz.

Default Unit: MHz

Front Panel Access: Shift-4(Measurement), Spectrum, Multi-Channel Spectrum

:READ:SPECTrum:SINGle?

Title: Read Single Channel Spectrum

Description: Triggers a new Single Channel Spectrum measurement and returns the results: Channel Power, Burst Power, Average Burst Power, Span, Occupied Bandwidth, Frequency Error, Frequency Error (ppm), Modulation Type, and TSC measurement. It is a combination of the commands :ABORT; :INITiate; FETCh:SPECTrum:SINGle? The Single Channel Spectrum measurement must be the active measurement (specified by CONFigure:SPECTrum:SINGle. The current measurement can be queried using :CONFigure?

Data is returned as 9 comma-delimited values: Channel Power in dBm, Burst Power in dBm, Average Burst Power in dBm, Span in MHz, Occupied Bandwidth in MHz, Frequency Error in MHz, Frequency Error (ppm), Modulation Type, and TSC. "--" is returned for each data that is not valid at that instance.

Related Command: MEASure:SPECTrum:SINGle?
:CONFigure:SPECTrum:SINGle FETCh:SPECTrum:SINGle?

Front Panel Access: Shift-4 (Measurement), Spectrum, Channel Spectrum

7-9 :TRACe Subsystem

This subsystem contains commands related to the transfer of trace data to and from the instrument.

:TRACe:PREamble? <trace type>

Title: Trace Header Transfer

Description: Returns trace header information for the specified trace. The <trace type> must be one of the following: SINGLE | MULTi | PVTFrAmE | PVTSlot | DEMod

Data can be transferred to and from the 5 available display trace types. Use the commands in the MMEMory subsystem to store and recall traces from the instrument memory. The response begins with an ASCII header. The header specifies the number of following bytes. It looks like #AX, where A is the number of digits in X and X is the number of bytes that follow the header. Note that the instrument must be set in the selected view. Use the CONFIgure commands to set the unit to the selected view. Parameters are returned in comma-delimited ASCII format. Each parameter is returned as "NAME=VALUE[UNITS]," Valid parameters are shown in "GSM Parameter Names" on page 2-21.

Parameter: <trace type>

Related Command: :TRACe:DATA?

:TRACe[:DATA]? <trace type>

Title: Trace Data Transfer

Description: This command transfers trace data from the instrument to the controller. The <trace type> must be one of the following:
SINGLE | MULTi | PVTFrAmE | PVTSlot | DEMod.

The format of the block data in the query form is specified by :FORMat:DATA. The block data in the command form is always sent in ASCII format. The response begins with an ASCII header that specifies the number of data bytes. It looks like #AX, where A is the number of digits in X and X is the number of bytes that follow the header. Each data point is separated by a comma delimiter. Trace setup information can be acquired using :TRACe[:DATA]:PREamble?.

Use the commands in the MMEMory subsystem to store and recall traces from the instrument memory. Except for DEMod, there is only one value per data point. For DEMod, each data point is represented by 2 values, 4 bytes each: IData (no units), and QData (no units). For SINGLE, MULTi, PVTFrAmE, and PVTSlot, the unit is in dBm. Note that the instrument must be set in the selected view. Use the CONFIgure commands to set the unit to the selected view.

Parameter: <trace type>

Related Command: :FORMat[:DATA]
:TRACe[:DATA]:PREamble?

7-10 [:SENSe] Subsystem

The commands in this subsystem relate to device-specific parameters, not signal-oriented parameters.

[:SENSe] :FREQuency :BAND AUTO | GSM | EDGE

[:SENSe] :FREQuency :BAND?

Title: GSM/EDGE Measurement Selection

Description: This command toggles the type of signal that is measured. AUTO allows the instrument to search for a GSM or EDGE signal automatically. GSM sets the instrument to measure only GSM signals. EDGE sets the instrument to measure only EDGE signals.

The query form of the command returns the measurement mode that the instrument is currently in.

Parameter: AUTO | GSM | EDGE

Parameter Type: <char>

Default Value: AUTO

Front Panel Access: Setup, GSM/EDGE Select

[:SENSe] :FREQuency :CENTer <freq>

[:SENSe] :FREQuency :CENTer?

Title: Center Frequency

Description: Sets the center frequency. Note that changing the value of the center frequency will change the value of the coupled parameters Start Frequency and Stop Frequency. It may also change the value of the span.

Parameter: <freq>

Default Value: 1 GHz

Default Unit: Hz

Range: 0 Hz to 7.1 GHz

Front Panel Access: Freq, Center Freq

[:SENSe] :FREQuency :SIGStandard <index>

[:SENSe] :FREQuency :SIGStandard?

Title: Signal Standard

Description: Selects the desired signal standard from the list. The <index> argument is a 1-based index of the position of the desired signal standard in the instrument's current signal standard list. The list can be seen on the instrument by choosing the "Signal Standard" soft-key button in the "Frequency" menu. The list can also be downloaded remotely and viewed using Anritsu Master Software Tools. For example, if the desired Signal Standard is the 3rd item on the list then the value of the <index> argument would be 3.

The query form of this command will return the index of the currently-selected Signal Standard on the list.

Parameter: <index>

Front Panel Access: Frequency, Signal Standard

[:SENSe]:FREQuency:SIGStandard:CHANnel <number>

[:SENSe]:FREQuency:SIGStandard:CHANnel?

Title: Channel Selection

Description: Sets the channel number for the selected signal standard.

Parameter: <number>

Front Panel Access: Frequency, Channel

[:SENSe]:FREQuency:START?

Title: Start Frequency

Description: Queries the start frequency of the Multi-Channel Spectrum. Note that this command is valid only if the current view is set to Multi-Channel Spectrum.

Parameter: <freq>

Default Unit: Hz

Related Command: [:SENSe]:FREQuency:STOP?

[:SENSe]:FREQuency:STOP?

Title: Stop Frequency

Description: Queries the stop frequency of the Multi-Channel Spectrum. Note that this command is valid only if the current view is set to Multi-Channel Spectrum.

Parameter: <freq>

Default Unit: Hz

[:SENSe]:PFail <test set>

[:SENSe]:PFail?

Title: PASS/FAIL Test Selection

Description: Selects the active test set to be used in subsequent PASS/FAIL measurements. The <test set> value must correspond to a test set that is defined in the test set list. To view the list on the instrument, go into the "Measurement" menu, press the "Pass/Fail Mode" key, and then press the "Select Pass/Fail Test" soft key. Alternatively, the list can be retrieved remotely and viewed using the Anritsu Master Software Tools. The <test set> argument is a 1-based index of the position of the desired Pass/Fail test set in the instrument's current Pass/Fail test set list. For example, if the desired Pass/Fail test is the 3rd item on the list then the value of the <test set> argument would be 3.

When using the query form of the command, the return value is the currently selected test set number. If there is not a valid test set selected, the return value is "-1" (negative 1).

Parameter: <test set>

Related Command: :CONFIgure:PFail

Front Panel Access: Measurement, Pass/Fail Mode, Select Pass/Fail Test

[:SENSe]:POWER[:RF]:RANGe:AUTO OFF|ON|0|1

[:SENSe]:POWER[:RF]:RANGe:AUTO?

Title: Automatic Amplitude Range

Description: Sets the automatic amplitude range. Setting the value to ON or 1 will result in the amplitude range being coupled to the detected input signal level. Setting the value to OFF or 0 will result in the input attenuation being un-coupled from the input signal level. That is, changing the input signal level will not change the amplitude range. When this command is issued, the amplitude range itself will not change. The default value is ON. That is, sending :SENS:POW:RANG:AUTO is equivalent to sending :SENS:POW:RANG:AUTO ON.

Parameter: OFF|ON|0|1

Parameter Type: <boolean>

Default Value: ON

Related Command: [:SENSe]:POWER[:RF]:RANGe

Front Panel Access: Amplitude, Auto Range

[:SENSe]:POWER[:RF]:RANGe[:IMMediate]

Title: Amplitude Range

Description: Re-calculates amplitude range. Note that issuing this command will set the automatic dynamic range OFF.

Related Command: [:SENSe]:POWER[:RF]:RANGe:AUTO

Front Panel Access: Amplitude, Adjust Range

[:SENSe]:PVTFrame:START?

Title: Power vs. Time (Frame) Start Time

Description: Queries the Power vs. Time (Frame) start time. Only valid in the Power vs. Time (Frame) measurement.

Default Unit: seconds

Related Command: [:SENSe]:PVTFrame:STOP?

[:SENSe]:PVTFrame:STOP?

Title: Power vs. Time (Frame) Stop Time

Description: Queries the Power vs. Time (Frame) stop time. Only valid in the Power vs. Time (Frame) measurement.

Default Unit: seconds

Related Command: [:SENSe]:PVTFrame:START?

[:SENSe]:PVTSlot:START?

Title: Power vs. Time (Slot) Start Time

Description: Queries the Power vs. Time (Slot) start time. Only valid in the Power vs. Time (Slot) measurement.

Default Unit: seconds

Related Command: [:SENSe]:PVTSlot:STOP?

[:SENSe]:PVTSlot:STOP?

Title: Power vs. Time (Slot) Stop Time

Description: Queries the Power vs. Time (Slot) stop time. Only valid in the Power vs. Time (Slot) measurement.

Default Unit: seconds

Related Command: [:SENSe]:PVTSlot:START?

Chapter 8 — WCDMA Commands

8-1 :ABORt Subsystem

The abort subsystem includes commands that allow the user to stop current measurement activities on the instrument.

:ABORt

Title: Abort

Description: Restarts the current sweep and/or measurement. Resets the trigger system. If :INITiate:CONTinuous is OFF (i.e. the instrument is in single sweep mode), send the command :INITiate[:IMMediate] to trigger the next sweep. If :INITiate:CONTinuous is ON (i.e. the instrument is in continuous sweep mode) a new sweep will start immediately.

Parameter: NA

Related Command: :INITiate:CONTinuous
:INITiate[:IMMediate]

Front Panel Access: Shift-3 (Sweep), Reset Sweep

8-2 :CALCulate Subsystem

The commands in this subsystem process data that has been collected via the SENSE subsystem.

:CALCulate:MARKer:AOff

Title: Turn All Markers Off

Description: Turns off all markers.

Front Panel Access: Marker, All Markers Off

:CALCulate:MARKer{1|2|3|4|5|6}:X <x-parameter>

:CALCulate:MARKer{1|2|3|4|5|6}:X?

Title: Marker X Value

Description: Sets the location of the marker on the x-axis at the specified location. <x-parameter> is defined in the current x-axis units. The query version of the command returns the location of the marker on the x-axis. Note that the marker is snapped to the data point closest to the specified value. If the specified marker is not on it is set to on.

Parameter: <x-parameter>

Default Unit: Current x-axis unit

Example: To set reference marker #2 to 5 hertz on the x-axis:

```
:CALCulate:MARKer2:X 5
:CALCulate:MARKer2:X 5Hz
```

To set reference marker #1 to 1.5 GHz on the x-axis:

```
:CALCulate:MARKer:X 1.5GHz
:CALCulate:MARKer1:X 1.5GHz
```

Front Panel Access: Marker, [Marker 1/2/3/4/5/6]

:CALCulate:MARKer{1|2|3|4|5|6}:Y?

Title: Marker Read Y Value

Description: Reads the current Y value for the specified marker. The units are the units of the y-axis.

Default Unit: Current y-axis unit

:CALCulate:MARKer{1|2|3|4|5|6}[:STATe] OFF|ON|0|1

:CALCulate:MARKer{1|2|3|4|5|6}[:STATe]?

Title: Marker State

Description: Sets the specified marker on/off.

Parameter: OFF|ON|0|1

Parameter Type: <boolean>

Default Value: OFF

Example: To turn off reference marker #1:

```
:CALCulate:MARKer1:STATe OFF
```

Front Panel Access: Marker, On/Off

8-3 :CONFigure Subsystem

This set of commands prepares the instrument for the selected measurement. It disables any currently-enabled measurements and activates the specified measurement. It sets the instrument to single sweep mode, waiting for an :INITiate command. It will not initiate the taking of a measurement.

Current instrument settings may be changed to default values. These changes are identified with their respective measurement commands.

:CONFigure SUMMary|PFail

Title: Configure Summary Measurement

Description: This command configures the UMTS Summary or PASS/FAIL measurement. It disables any other active measurements. None of the instrument parameters are changed by the execution of this command. Sets the instrument to single sweep mode (:INITiate:CONTinuous OFF). Measurement settings can be modified by using the [:SENSe] commands before initiating a measurement. In SUMMARY mode, the measurement results are equivalent to the results that are displayed by choosing Measurements, then WCDMA Summary from the front panel. In PFail mode, the results are equivalent to those that are displayed by choosing Measurements, then Pass Fail Mode from the front panel. This set of commands returns the most recent measurement data of the active measurement. They will not switch to another measurement. To get new measurement data, use the READ command.

Parameter: SUMMARY|PFail

Parameter Type: <char>

:CONFigure:DEMod <char>

Title: Configure Demodulation Measurement

Description: Valid <char> parameter options: SUMMary|CDPower|CODogram|HSDPa

The HSDPA measurement is only available if option 65 is installed. This command configures the selected demodulation measurement. It disables any other active measurements. None of the instrument parameters are changed by the execution of this command. Sets the instrument to single sweep mode (:INITiate:CONTinuous OFF). Measurement settings can be modified by using the [:SENSe]:DEMod commands before initiating a measurement.

When the SUMMARY option is selected, the measurement results are equivalent to the results that are displayed by choosing Measurements, then Demod, then Summary from the front panel. When the CDP option is selected, the measurement results are equivalent to the results that are displayed by choosing Measurements, then Demod, then CDP from the front panel. When the CODOGRAM option is selected, the measurement results are equivalent to the results that are displayed by choosing Measurements, then Demod, then Codogram from the front panel. When the HSDPa option is selected, the measurement results are equivalent to the results that are displayed by choosing Measurements, then Demod, then HSDPA from the front panel.

Parameter: <char>

Related Command: [:SENSe]:DEMod:SCODE
 [:SENSe]:DEMod:SFACTOR
 [:SENSe]:DEMod:THRSHOLD
 [:SENSe]:DEMod:PICH:CODE
 [:SENSe]:DEMod:SCCPch:CODE

Front Panel Access: Shift-4 (Measurement), Demodulator

:CONFigure:OTA

Title: Configure Over-The-Air Measurement

Description: This command configures the over-the-air measurement. It disables any other active measurements. None of the instrument parameters are changed by the execution of this command. Sets the instrument to single sweep mode (:INITiate:CONTinuous OFF). Measurement settings can be modified by using the [:SENSe]:OTA commands before initiating a measurement. The measurement results are equivalent to the results that are displayed by choosing Measurements, then OTA from the front panel.

Related Command: [:SENSe]:OTA:RESet
[:SENSe]:OTA:SCODE
[:SENSe]:OTA:SORT

:CONFigure:RF <char>

Title: Configure RF Measurement

Description: Valid parameter options: SUMMary | SPECTrum | ACLR | EMISsion | BANDSpectrum

This command configures the selected RF measurement. It disables any other active measurements. None of the instrument parameters are changed by the execution of this command. Sets the instrument to single sweep mode (:INITiate:CONTinuous OFF). Measurement settings can be modified by using the [:SENSe]:RF commands before initiating a measurement.

When the SUMMary option is selected, the measurement results are equivalent to the results that are displayed by choosing Measurements, then RF, then Summary from the front panel. When the SPECTrum option is selected, the measurement results are equivalent to the results that are displayed by choosing Measurements, then RF, then Channel Spectrum from the front panel. When the ACLR option is selected, the measurement results are equivalent to the results that are displayed by choosing Measurements, then RF, then ACLR from the front panel. When the EMISsion option is selected, the measurement results are equivalent to the results that are displayed by choosing Measurements, then RF, then Spectral Emission Mask from the front panel. When the BANDSpectrum option is selected, the measurement results are equivalent to the results that are displayed by choosing Measurements, then RF, then Band Spectrum from the front panel.

Parameter: <char>

Related Command: [:SENSe]:FREQuency
[:SENSe]:RF:ACLR:MAINchannelcount
[:SENSe]:RF:ACLR:ADJCchannelcount

8-4 :DISPlay Subsystem

This subsystem provides commands that modify the display of data for the user. They do not modify the way in which data are returned to the controller.

:DISPlay:WINDow:TRACe:Y[:SCALE]:OFFSet <rel ampl>
:DISPlay:WINDow:TRACe:Y[:SCALE]:OFFSet?

Title: Power Offset

Description: Sets the power offset value for the y-axis.

Parameter: <rel ampl>

Default Value: 0 dB

Default Unit: dB

Range: 0 dB to 100 dB

Front Panel Access: Amplitude, Power Offset

:DISPlay:WINDow:TRACe:Y[:SCALE]:PDIVision <rel ampl>
:DISPlay:WINDow:TRACe:Y[:SCALE]:PDIVision?

Title: Scale

Description: Sets the scale (dB/division) for the y-axis.

Parameter: <rel ampl>

Default Value: 10 dB/div

Default Unit: dB

Range: 1 dB to 15 dB

Front Panel Access: Amplitude, Scale

8-5 :FETCh Subsystem

This set of commands returns the most recent measurement data of the active measurement. They will not switch to another measurement.

To make a new measurement, use the INITiate command. To get new measurement data, use the READ or MEASure query commands.

:FETCh:ACLR?

Title: Fetch Adjacent Channel Leakage Ratio

Description: Returns the most recent adjacent channel leakage ratio measurement results. If the instrument is sweeping, it will not return until the sweep is complete. If the instrument is not sweeping and the current data is not valid it will return error -230. This could occur if there was a *RST immediately before the :FETCh? or if a measurement parameter was changed without an :INITiate.

Data is returned as 12 comma-separated values: -20 MHz channel power, -15 MHz channel power, -10 MHz channel power, -5 MHz channel power, Main channel power 1, Main channel power 2, Main channel power 3, Main channel power 4, +5 MHz channel power, +10 MHz channel power, +15 MHz channel power, +20 MHz channel power.

Default Unit: dBm

:FETCh:CHPower?

Title: Fetch Channel Power/Density

Description: Returns the most recent channel power measurement results. If the instrument is sweeping, it will not return until the sweep is complete. If the instrument is not sweeping and the current data is not valid it will return error -230. This could occur if there was a *RST immediately before the :FETCh? or if a measurement parameter was changed without an :INITiate.

Default Unit: dBm

Related Command: :FETCh:CHPower:CHPower?
:FETCh:CHPower:DENSity?

:FETCh:DEMod:ACTChannels?

Title: Fetch Active Channel Count

Description: Returns the active channel count from the most recent measurement results. If the instrument is sweeping, it will not return until the sweep is complete. If the instrument is not sweeping and the current data is not valid it will return error -230. This could occur if there was a *RST immediately before the :FETCh? or if a measurement parameter was changed without an :INITiate.

Data is returned as a single value representing the total number of active channels.

Default Unit: No Units

:FETCh:DEMod:CDPower?

Title: Fetch Demodulated Channel Power

Description: Returns the most recent absolute power measurement results for the requested logical channel. If the instrument is sweeping, it will not return until the sweep is complete. If the instrument is not sweeping and the current data is not valid it will return error -230. This could occur if there was a *RST immediately before the :FETCh? or if a measurement parameter was changed without an :INITiate.

Data is returned as 4 comma-delimited values: CPICH power, PCCPCH power, PICH power, SCCPCH power.

Default Unit: dBm

Related Command: :CONFigure:DEMod CDPower
:MEASure:DEMod:CDPower?
:READ:DEMod:CDPower?

Front Panel Access: Measurement, Demodulator, CDP

:FETCh:DEMod:CFTHrough?

Title: Fetch Carrier Feed Through

Description: Returns the most recent carrier feed through measurement results. If the instrument is sweeping, it will not return until the sweep is complete. If the instrument is not sweeping and the current data is not valid it will return error -230. This could occur if there was a *RST immediately before the :FETCh? or if a measurement parameter was changed without an :INITiate.

Data is returned as a single value representing the carrier feed through.

Default Unit: dB

:FETCh:DEMod:EVM?

Title: Fetch Error Vector Magnitude (EVM)

Description: Returns the most recent EVM measurement result. If the instrument is sweeping, it will not return until the sweep is complete. If the instrument is not sweeping and the current data is not valid it will return error -230. This could occur if there was a *RST immediately before the :FETCh? or if a measurement parameter was changed without an :INITiate.

Data is returned as a single value representing the RMS error vector magnitude

Default Unit: %

:FETCh:DEMod:FERRor:PPM?

Title: Fetch Frequency Error PPM

Description: Returns the most recent frequency error PPM measurement result. If the instrument is sweeping, it will not return until the sweep is complete. If the instrument is not sweeping and the current data is not valid it will return error -230. This could occur if there was a *RST immediately before the :FETCh? or if a measurement parameter was changed without an :INITiate.

Data is returned as a single value representing the frequency error PPM.

Default Unit: No units

Related Command: MEASure:DEMod:FERRor:PPM?
READ:DEMod:FERRor:PPM?

:FETCh:DEMod:FERRor:PRECise?

Title: Fetch Frequency Error

Description: Returns the most recent frequency error measurement result. If the instrument is sweeping, it will not return until the sweep is complete. If the instrument is not sweeping and the current data is not valid it will return error -230. This could occur if there was a *RST immediately before the :FETCh? or if a measurement parameter was changed without an :INITiate.

Data is returned as a single value representing the frequency error. Note that this command is the same as :FETCh:DEMod:FERRor?, but returns the result with a precision of one-tenth Hertz.

Default Unit: Hertz

:FETCh:DEMod:FERRor?

Title: Fetch Frequency Error

Description: Returns the most recent frequency error measurement result. If the instrument is sweeping, it will not return until the sweep is complete. If the instrument is not sweeping and the current data is not valid it will return error -230. This could occur if there was a *RST immediately before the :FETCh? or if a measurement parameter was changed without an :INITiate.

Data is returned as a single value representing the frequency error.

Default Unit: Hertz

:FETCh:DEMod:HSDPa:FERRor:PPM?

Title: Fetch HSDPA Frequency Error PPM

Description: Returns the most recent HSDPA frequency error PPM measurement result. If the instrument is sweeping, it will not return until the sweep is complete. If the instrument is not sweeping and the current data is not valid it will return error -230. This could occur if there was a *RST immediately before the :FETCh? or if a measurement parameter was changed without an :INITiate.

Data is returned as a single value representing the HSDPA frequency error PPM.

Default Unit: No units

Related Command: MEASure:DEMod:HSDPa:FERRor:PPM?
READ:DEMod:HSDPa:FERRor:PPM?

:FETCh:DEMod:HSDPa:FERRor?

Title: Fetch HSDPA Frequency Error

Description: Returns the most recent HSDPA frequency error measurement result. If the instrument is sweeping, it will not return until the sweep is complete. If the instrument is not sweeping and the current data is not valid it will return error -230. This could occur if there was a *RST immediately before the :FETCh? or if a measurement parameter was changed without an :INITiate.

Data is returned as a single value representing the HSDPA frequency error.

Default Unit: Hertz

:FETCh:DEMod:HSDPa:TXFrequency?

Title: Fetch HSDPA Transmitter Frequency

Description: Returns the most recent HSDPA transmitter frequency measurement results. If the instrument is sweeping, it will not return until the sweep is complete. If the instrument is not sweeping and the current data is not valid it will return error -230. This could occur if there was a *RST immediately before the :FETCh? or if a measurement parameter was changed without an :INITiate.

Data is returned as a single value representing the HSDPA carrier frequency.

Default Unit: Hertz

Related Command: :MEASure:DEMod:HSDPa:TXFrequency?
:READ:DEMod:HSDPa:TXFrequency?

:FETCh:DEMod:NFLoor?

Title: Fetch Code Domain Noise Floor

Description: Returns the most recent code domain noise floor measurement result. If the instrument is sweeping, it will not return until the sweep is complete. If the instrument is not sweeping and the current data is not valid it will return error -230. This could occur if there was a *RST immediately before the :FETCh? or if a measurement parameter was changed without an :INITiate.

Data is returned as a single value representing the noise floor power level.

Default Unit: dB

:FETCh:DEMod:NUMChannels?

Title: Fetch Total Channel Count

Description: Returns the total channel count from the most recent measurement results. If the instrument is sweeping, it will not return until the sweep is complete. If the instrument is not sweeping and the current data is not valid it will return error -230. This could occur if there was a *RST immediately before the :FETCh? or if a measurement parameter was changed without an :INITiate.

Data is returned as a single value representing the total number of channels.

Default Unit: No units

:FETCh:DEMod:SPOWer?

Title: Fetch Synch Channel Power

Description: Returns the most recent absolute power measurement results for the requested synch channel. If the instrument is sweeping, it will not return until the sweep is complete. If the instrument is not sweeping and the current data is not valid it will return error -230. This could occur if there was a *RST immediately before the :FETCh? or if a measurement parameter was changed without an :INITiate.

Data is returned as 3 comma-delimited values: SCH power, PSCH power, SSCH power.

Default Unit: dBm

:FETCh:DEMod:SUMMARY?

Title: Fetch Modulation Summary

Description: Returns the most recent Modulation Summary measurement results. Data is returned as 13 comma-delimited values: Carrier Frequency, Frequency Error, channel Power, P-CPICH Power, Carrier Feed Through, Peak CDE, EVM, P-CCPCH Power, S-CCPCH Power, PICH Power, PSCH Power, SSCH Power, RMS Phase Er (deg). All invalid values are replaced with "--". Power units are in watt or dBm as per what is set by the user. Frequency is always in Hz.

Related Command: :CONFigure:DEMod SUMMARY
:MEASure:DEMod:SUMMARY?
:READ:DEMod:SUMMARY?

Front Panel Access: Measurements, Demodulator, Modulation Summary

:FETCh:DEMod:TXFrequency:PRECise?

Title: Fetch Transmitter Frequency

Description: Returns the most recent transmitter frequency measurement results. If the instrument is sweeping, it will not return until the sweep is complete. If the instrument is not sweeping and the current data is not valid it will return error -230. This could occur if there was a *RST immediately before the :FETCh? or if a measurement parameter was changed without an :INITiate.

Data is returned as a single value representing the carrier frequency. Note that this command is the same as :FETCh:DEMod:TXFrequency?, but returns the result with a precision of one-tenth Hertz.

Default Unit: Hertz

:FETCh:DEMod:TXFrequency?

Title: Fetch Transmitter Frequency

Description: Returns the most recent transmitter frequency measurement results. If the instrument is sweeping, it will not return until the sweep is complete. If the instrument is not sweeping and the current data is not valid it will return error -230. This could occur if there was a *RST immediately before the :FETCh? or if a measurement parameter was changed without an :INITiate.

Data is returned as a single value representing the carrier frequency.

Default Unit: Hertz

:FETCh:EMISsion:FAIL?

Title: Fetch Spectral Emission Mask Pass/Fail

Description: Returns the most recent spectral emission mask pass/fail measurement result. Any violation of the spectral emission mask template will cause a FAIL result. If the instrument is sweeping, it will not return until the sweep is complete. If the instrument is not sweeping and the current data is not valid it will return error -230. This could occur if there was a *RST immediately before the :FETCh? or if a measurement parameter was changed without an :INITiate.

Data is returned as a single value indicating the PASS/FAIL status of the spectral emission mask measurement (PASS = 0, FAIL = 1).

Default Unit: No units

:FETCh:EMISsion:TEMPlate:DATA?

Title: Fetch Spectral Emission Mask Template Data

Description: Returns the spectral emission mask template power level, frequency, and PASS/FAIL data for all ten frequency ranges shown in the Spectral Emission Summary. If the instrument is sweeping, it will not return until the sweep is complete. If the instrument is not sweeping and the current data is not valid it will return error -230. This could occur if there was a *RST immediately before the :FETCh? or if a measurement parameter was changed without an :INITiate. Any violation of the spectral emission mask template will cause a FAIL result.

For each frequency range, the data is returned as 3 comma delimited values: Power Level in dBm, Frequency in Hz, and PASS/FAIL. The order in which the data is returned is shown below (from top to bottom).

Range: -12.5 MHz to -8 MHz
 -8 MHz to -4 MHz
 -4 MHz to -3.515 MHz
 -3.515 MHz to -2.715 MHz
 -2.715 MHz to -2.515 MHz
 2.515 MHz to 2.715 MHz
 2.715 MHz to 3.515 MHz
 3.515 MHz to 4 MHz
 4 MHz to 8 MHz
 8 MHz to 12.5 MHz

Related Command: MEASure:EMISsion:TEMPlate:DATA?
 READ:EMISsion:TEMPlate:DATA?

:FETCh:EMISsion:TEMPlate?

Title: Fetch Spectral Emission Mask Template

Description: Returns the spectral emission mask template used for the most recent spectral emission mask measurement. Any violation of the spectral emission mask template will cause a FAIL result. If the instrument is sweeping, it will not return until the sweep is complete. If the instrument is not sweeping and the current data is not valid it will return error -230. This could occur if there was a *RST immediately before the :FETCh? or if a measurement parameter was changed without an :INITiate.

Data is returned as a single value representing the template used for the current spectral emission mask measurement results.

Templates:

Template 0: Power \geq 43 dBm
 Template 1: 43 dBm > Power \geq 39 dBm
 Template 2: 39 dBm > Power \geq 31 dBm
 Template 3: Power < 31 dBm

Default Unit: No units

:FETCh:EMISsion?

Title: Fetch Spectral Emission Mask Results

Description: Returns the most recent spectral emission mask pass/fail and template measurement results. Any violation of the spectral emission mask template will cause a FAIL result. If the instrument is sweeping, it will not return until the sweep is complete. If the instrument is not sweeping and the current data is not valid it will return error -230. This could occur if there was a *RST immediately before the :FETCh? or if a measurement parameter was changed without an :INITiate.

Data is returned as 2 comma-delimited values: PASS/FAIL status (PASS = 0, FAIL = 1), template number. See :FETCh:EMISsion:TEMPlate command for valid template numbers.

Default Unit: No units

Related Command: :FETCh:EMISsion:FAIL?
:FETCh:EMISsion:TEMPlate?

:FETCh:OBWidth?

Title: Fetch Occupied Bandwidth

Description: Returns the most recent occupied bandwidth measurement results. If the instrument is sweeping, it will not return until the sweep is complete. If the instrument is not sweeping and the current data is not valid it will return error -230. This could occur if there was a *RST immediately before the :FETCh? or if a measurement parameter was changed without an :INITiate.

Default Unit: Hz

:FETCh:OTA{1|2|3|4|5|6}?

Title: Fetch Over The Air

Description: Returns the most recent over-the-air measurement results. If the instrument is sweeping, it will not return until the sweep is complete. If the instrument is not sweeping and the current data is not valid it will return error -230. This could occur if there was a *RST immediately before the :FETCh? or if a measurement parameter was changed without an :INITiate.

The measurement results are returned as 5 comma delimited values: scrambling code, CPICH power, chip energy, Ec/I0 ratio, pilot dominance. If valid results are not available in the requested position (1-6), the returned string will contain a series of 3 dashes "--" instead of the numeric results.

Default Unit: Scrambling Code: No units
CPICH power: dBm
EC/I0: dB
Chip Energy: dBm
Pilot dominance: No units

:FETCh:PFail?

Title: Fetch PASS/FAIL

Description: Returns the most recent PASS/FAIL measurement results. If the instrument is actively measuring, it will not return until the measurement is complete. If the instrument is not actively measuring and the current data is not valid it will return error -230. This could occur if there was a *RST immediately before the :FETCh? or if a measurement parameter was changed without an :INITiate. Measurement results are returned in a block of ASCII text in the format of <header><block>. The ASCII header specifies the number of data bytes. It looks like #AX, where A is the number of digits in X and X is the number of bytes in the <block>. The block consists of a set of records which indicate individual test results. Records are comma-separated. Each record follows the format <test ID>: <input1> <input2> <min> <max> <value1> <value2> <PASS/FAIL/OPTION NOT INSTALLED>. The <test ID> field indicates which test was performed to retrieve these results. The <input1> and <input2> fields indicate the test setup. The <min> and <max> fields indicate the minimum and maximum values against which <value1> and <value2> were compared to arrive at the final PASS/FAIL result. If the specified test is not available in the instrument, the <PASS/FAIL> field will indicate "option not available" instead of "pass" or "fail". All unused fields for a given test are represented by a double dash ("-").

Related Command: MEASure:PFail?
:CONFigure:PFail
READ:PFail?

:FETCh:PTAPower?

Title: Fetch Peak to Average Power Ratio

Description: Returns the most recent peak to average power ratio measurement result. If the instrument is sweeping, it will not return until the sweep is complete. If the instrument is not sweeping and the current data is not valid it will return error -230. This could occur if there was a *RST immediately before the :FETCh? or if a measurement parameter was changed without an :INITiate.

Default Unit: dB

:FETCh:RF:SUMMARY?

Title: Fetch RF Summary

Description: Returns the most recent RF Summary measurement results.

Data is returned as 10 comma-delimited values: Channel Power, Carrier Frequency, Frequency Error, Spectral Emission, Occupied Bandwidth, Peak to Avg Power, Filtered -10MHz, Filtered -5 MHz, Filtered 5MHz, Filtered 10 MHz . All invalid values are replaced with "--". Power units are in watt or dBm as per what is set by the user. Frequency is always in Hz.

Related Command: :CONFigure:RF SUMMARY
:MEASure:RF:SUMMARY?
:READ:RF:SUMMARY?

Front Panel Access: Measurements, RF, RF Summary

8-6 :FORMat Subsystem

This subsystem contains commands that determine the formatting of numeric data when it is transferred.

The format setting affects data in specific commands only. If a command is affected, it is noted in the command description.

:FORMat[:READings][:DATA] ASCii|INTeger,32|REAL,32

:FORMat[:READings][:DATA]?

Title: Numeric Data Format

Description: This command specifies the format in which data is returned in certain commands.

ASCii format returns the data in comma-separated ASCII format. The units are the current instrument units. This format requires many more bytes so it is the slowest format. INTeger,32 values are signed 32-bit integers in little-endian byte order. This format returns the data in 4-byte blocks.

The units are always mdBm. For example, if the measured result was -12.345 dBm, that value would be sent as -12345.) REAL,32 values are 32-bit floating point numbers conforming to the IEEE 754 standard in little-endian byte order. This format returns the data in 4-byte binary format. The units are the current instrument units.

Both INTeger,32 and REAL,32 formats return a definite block length. Each transfer begins with an ASCII header such as #42204. The first digit represents the number of following digits in the header (in this example, 4). The remainder of the header indicates the number of bytes that follow the header (in this example, 2204). You then divide the number of following bytes by the number of bytes in the data format you've chosen (4 for both INTeger,32 and REAL,32 so 2204/4) to get the number of data points (in this example, 551).

Parameter: ASCii|INTeger,32|REAL,32

Parameter Type: <char>

Default Value: ASCii

Related Command: :TRACe[:DATA]

8-7 :INITiate Subsystem

This subsystem controls the triggering of measurements.

:INITiate:CONTInuous OFF|ON|0|1

:INITiate:CONTInuous?

Title: Continuous/Single Sweep

Description: Specifies whether the sweep/measurement is triggered continuously. If the value is set to ON or 1, another sweep/measurement is triggered as soon as the current one completes. If continuous is set to OFF or 0, the instrument enters the “idle” state and waits for the :INITiate[:IMMEDIATE] command or for :INITiate:CONTInuous ON. The default value is ON. That is, sending :INIT:CONT is equivalent to sending :INIT:CONT ON. The query version of the command returns a 1 if the instrument is continuously sweeping/measuring and returns a 0 if the instrument is in single sweep/measurement mode. Note that rapid toggling between ON and OFF is not allowed. The instrument must be allowed to make a full sweep before toggling can be done. Note that the set command is available only if the instrument is in Cable & Antenna mode.

Parameter: OFF|ON|0|1

Parameter Type: <boolean>

Default Value: ON

Related Command: :INITiate[:IMMEDIATE]
:INITiate:HOLD

Front Panel Access: Shift-3 (Sweep), Sweep (Single/Continuous)

:INITiate[:IMMEDIATE]

Title: Trigger Sweep/Measurement

Description: Initiates a sweep/measurement. If :INITiate:CONTInuous is set to ON, this command is ignored. Use this command in combination with :STATus:OPERation? to synchronize the capture of one complete set of data. When this command is sent, the “sweep complete” bit of :STATus:OPERation? is set to 0, indicating that the measurement has not completed. The data collection is then triggered. The controlling program can poll :STATus:OPERation? to determine the status. When the “sweep complete” bit is set to 1, data is ready to be retrieved.

Related Command: :INITiate:CONTInuous
:STATus:OPERation?

Front Panel Access: Shift-3 (Sweep), Trigger Sweep

8-8 :MEASure Subsystem

These commands take the instrument from its current state, enable the specified measurement and put the instrument into single sweep mode. They correct any parameters that are invalid given the new measurement state such that a valid measurement can take place. Other settings may be changed; see the documentation of CONFigure for each measurement. They then initiate the measurement. When the measurement is complete, they return the result.

To make a measurement with settings other than the “default” measurement settings applied by CONFigure, do the following:

- Send the appropriate CONFigure command to set the desired measurement.
- Modify the settings as required.
- Send the appropriate READ command to measure and return the result.

To get the current measurement data, use the appropriate FETCh command.

:MEASure:ACLR?

Title: Measure Adjacent Channel Leakage Ratio

Description: Sets the active measurement to adjacent channel power ratio, sets the default measurement parameters, triggers a new measurement and returns the main channel(s) power, and adjacent channel(s) power. It is a combination of the commands :CONFigure:RF ACLR; :READ:ACLR? For a description of the default adjacent channel power ratio measurement parameters see :CONFigure:RF ACLR. To make an adjacent channel power ratio measurement with settings other than the default values send:

```
:CONFigure:RF ACLR
Commands to set desired settings
:READ:ACLR?
```

Data is returned as 12 comma-separated values: -20 MHz channel power, -15 MHz channel power, -10 MHz channel power, -5 MHz channel power, Main channel power 1, Main channel power 2, Main channel power 3, Main channel power 4, +5 MHz channel power, +10 MHz channel power, +15 MHz channel power, +20 MHz channel power.

Default Unit: dBm

:MEASure:CHPower?

Title: Measure Channel Power

Description: Sets the active measurement to Code Domain Power (CDP), sets the default measurement parameters, triggers a new measurement and returns the channel power results. It is a combination of the commands :CONFigure:DEMod CDPower; :READ:CHPower? For a description of the default channel power measurement parameters see :CONFigure:DEMod CDPower. To make a channel power measurement with settings other than the default values send:

```
:CONFigure:DEMod CDPower
Commands to set desired settings
:READ:CHPower?
```

Default Unit: dBm

Related Command: :CONFigure:DEMod CDPower

:MEASure:DEMod:ACTChannels?

Title: Measure Active Code Domain Channels

Description: Sets the active measurement to code domain power, sets the default measurement parameters, triggers a new measurement and returns the number of active traffic channels. It is a combination of the commands :CONFigure:DEMod CDP; :READ:DEMod:ACTChannels? For a description of the default code domain power measurement parameters see :CONFigure:DEMod CDP.

Related Command: :CONFigure:RF ACLR
:CONFigure:DEMod:CDP

:MEASure:DEMod:CDPower?

Title: Measure Code Domain Power

Description: Sets the active measurement to code domain power, sets the default measurement parameters, triggers a new measurement and returns the channel power results. It is a combination of the commands :CONFigure:DEMod CDPower; :READ:DEMod:CDPower? For a description of the default channel power measurement parameters see :CONFigure:DEMod CDPower. To make a code domain power measurement with settings other than the default values send:

:CONFigure:DEMod CDP
Commands to set desired settings
:READ:DEMod:CDPower?

Results are returned as 4 comma-delimited values: CPICH power, PCCPCH power, PICH power, SCCPCH power.

Default Unit: dBm

Related Command: :CONFigure:DEMod CDPower
:READ:DEMod:CDPower?
FETCh:DEMod:CDPower?

:MEASure:DEMod:CFTHrough?

Title: Measure Carrier Feed Through

Description: Sets the active measurement to code domain power, sets the default measurement parameters, triggers a new measurement and returns the carrier feed through results. It is a combination of the commands :CONFigure:DEMod CDP; :READ:DEMod:CFTHrough? For a description of the default code domain power measurement parameters see :CONFigure:DEMod CDP. To make a carrier feed through measurement with settings other than the default values send:

:CONFigure:DEMod
CDP Commands to set desired settings
:READ:DEMod:CFTHrough?

Default Unit: dB

Related Command: :CONFigure:DEMod CDP

:MEASure:DEMod:EVM?

Title: Measure Error Vector Magnitude

Description: Sets the active measurement to code domain power, sets the default measurement parameters, triggers a new measurement and returns the EVM results. It is a combination of the commands :CONFigure:DEMod CDP; :READ:DEMod:EVM? For a description of the default code domain power measurement parameters see :CONFigure:DEMod CDP. To make a carrier feed through measurement with settings other than the default values send:

```
:CONFigure:DEMod CDP
Commands to set desired settings
:READ:DEMod:EVM?
```

Default Unit: %

Related Command: :CONFigure:DEMod CDP

:MEASure:DEMod:FERRor:PPM?

Title: Measure Frequency Error PPM

Description: Sets the active measurement to code domain power, sets the default measurement parameters, triggers a new measurement and returns the frequency error PPM results. It is a combination of the commands :CONFigure:DEMod CDP; :READ:DEMod:FERRor:PPM? For a description of the default code domain power measurement parameters, see :CONFigure:DEMod CDP. To make a frequency error measurement with settings other than the default values send:

```
:CONFigure:DEMod CDP
Commands to set desired settings
:READ:DEMod:FERRor:PPM?
```

Related Command: :READ:DEMod:FERRor:PPM?
:FETCh:DEMod:FERRor:PPM?
:CONFigure:DEMod:CDP

:MEASure:DEMod:FERRor:PRECise?

Title: Measure Frequency Error

Description: Sets the active measurement to code domain power, sets the default measurement parameters, triggers a new measurement and returns the frequency error results. It is a combination of the commands :CONFigure:DEMod CDP; :READ:DEMod:FERRor:PRECise? For a description of the default code domain power measurement parameters see :CONFigure:DEMod CDP. To make a frequency error measurement with settings other than the default values send:

```
:CONFigure:DEMod CDP
Commands to set desired settings
:READ:DEMod:FERRor:PRECise?
```

Note that this command is the same as :MEASure:DEMod:FERRor?, but returns the result with a precision of one-tenth Hertz.

Default Unit: Hz

Related Command: :CONFigure:DEMod CDP
:MEASure:DEMod:FERRor?

:MEASure:DEMod:FERRor?

Title: Measure Frequency Error

Description: Sets the active measurement to code domain power, sets the default measurement parameters, triggers a new measurement and returns the frequency error results. It is a combination of the commands :CONFigure:DEMod CDP; :READ:DEMod:FERRor? For a description of the default code domain power measurement parameters see :CONFigure:DEMod CDP. To make a frequency error measurement with settings other than the default values send:

```
:CONFigure:DEMod CDP
Commands to set desired settings
:READ:DEMod:FERRor?
```

Default Unit: Hz

Related Command: :CONFigure:DEMod CDP

:MEASure:DEMod:HSDPa:FERRor:PPM?

Title: Measure HSDPA Frequency Error PPM

Description: Sets the active measurement to HSDPA sets the default measurement parameters, triggers a new measurement and returns the HSDPA frequency error PPM results. It is a combination of the commands :CONFigure:DEMod HSDPa; :READ:DEMod:HSDPa:FERRor:PPM? For a description of the default HSDPA measurement parameters, see :CONFigure:DEMod HSDPa. To make a frequency error measurement with settings other than the default values send:

```
:CONFigure:DEMod HSDPa
Commands to set desired settings
:READ:DEMod:HSDPa:FERRor:PPM?
```

Related Command: :READ:DEMod:HSDPa:FERRor:PPM?
:FETCh:DEMod:HSDPa:FERRor:PPM?
:CONFigure:DEMod HSDPa

:MEASure:DEMod:HSDPa:FERRor?

Title: Measure HSDPA Frequency Error

Description: Sets the active measurement to HSDPA, sets the default measurement parameters, triggers a new measurement and returns the HSDPA frequency error results. It is a combination of the commands :CONFigure:DEMod HSDPa; :READ:DEMod:HSDPa:FERRor? For a description of the default HSDPA measurement parameters, see :CONFigure:DEMod HSDPa. To make a frequency error measurement with settings other than the default values send:

```
:CONFigure:DEMod HSDPa
Commands to set desired settings
:READ:DEMod:HSDPa:FERRor?
```

Default Unit: Hz

Related Command: :READ:DEMod:HSDPa:FERRor?
:FETCh:DEMod:HSDPa:FERRor?
:CONFigure:DEMod HSDPa

:MEASure :DEMod :HSDPa :TXFRequency?

Title: Measure HSDPA Transmitter Frequency

Description: Sets the active measurement to HSDPA, sets the default measurement parameters, triggers a new measurement and returns the HSDPA transmitter frequency results. It is a combination of the commands :CONFigure:DEMod HSDPa; :READ:DEMod:HSDPa:TXFRequency? For a description of the default HSDPA measurement parameters, see :CONFigure:DEMod HSDPa. To make a transmitter frequency measurement with settings other than the default values send:

```
:CONFigure:DEMod HSDPa
Commands to set desired settings
:READ:DEMod:HSDPa:TXFRequency?
```

Default Unit: Hz

Related Command: :READ:DEMod:HSDPa:TXFRequency?
:FETCh:DEMod:HSDPa:TXFRequency?
:CONFigure:DEMod:HSDPa

:MEASure :DEMod :NFLoor?

Title: Measure Code Domain Noise Floor

Description: Sets the active measurement to code domain power, sets the default measurement parameters, triggers a new measurement and returns the noise floor results. It is a combination of the commands :CONFigure:DEMod CDP; :READ:DEMod:NFLoor? For a description of the default code domain power measurement parameters see :CONFigure:DEMod CDP. To make a noise floor measurement with settings other than the default values send:

```
:CONFigure:DEMod HSDPa
Commands to set desired settings
:READ:DEMod:NFLoor?
```

Default Unit: dB

Related Command: :CONFigure:DEMod CDP

:MEASure :DEMod :NUMChannels?

Title: Measure Code Domain Channel Count

Description: Sets the active measurement to code domain power, sets the default measurement parameters, triggers a new measurement and returns the number of channels. It is a combination of the commands :CONFigure:DEMod CDP; :READ:DEMod:NUMChannels? For a description of the default code domain power measurement parameters see :CONFigure:DEMod CDP. To make an channel count measurement with settings other than the default values send:

```
:CONFigure:DEMod HSDPa
Commands to set desired settings
:READ:DEMod:NUMChannels?
```

Default Unit: dB

Related Command: :CONFigure:DEMod CDP

:MEASure:DEMod:SPOWer?

Title: Measure Synch Channel Power

Description: Sets the active measurement to code domain power, sets the default measurement parameters, triggers a new measurement and returns the synch channel power results. It is a combination of the commands :CONFigure:DEMod CDP; :READ:DEMod:SPOWer? For a description of the default code domain power measurement parameters see :CONFigure:DEMod CDP. To make a synch channel power measurement with settings other than the default values send:

:CONFigure:DEMod CDP

Commands to set desired settings

:READ:DEMod:SPOWer?

Results are returned as 3 comma-delimited values: SCH power, PSCH power, SSCH power.

Default Unit: dBm

Related Command: :CONFigure:DEMod CDP

:MEASure:DEMod:SUMMary?

Title: Measure Modulation Summary

Description: Sets the active measurement to Modulation Summary, sets the default measurement parameters, triggers a new measurement and returns Carrier Frequency, Frequency Error, channel Power, P-CPICH Power, Carrier Feed Through, Peak CDE, EVM, P-CCPCH Power, S-CCPCH Power, PICH Power, PSCH Power, SSCH Power, RMS Phase Er (deg). It is a combination of the following commands :CONFigure:DEMod SUMMary; :READ:DEMod:SUMMary? To make a Demodulator Summary measurement with settings other than the default values send:
:CONFigure:DEMod SUMMary Commands to set desired settings
:READ:DEMod:SUMMary?

Data is returned as 13 comma-delimited values: Carrier Frequency, Frequency Error, channel Power, P-CPICH Power, Carrier Feed Through, Peak CDE, EVM, P-CCPCH Power, S-CCPCH Power, PICH Power, PSCH Power, SSCH Power, RMS Phase Er (deg). All invalid values are replaced with "--". Power units are in watt or dBm as per what is set by the user. Frequency is always in Hz.

Related Command: :CONFigure:DEMod SUMMary
:READ:DEMod:SUMMary?
:FETCh:DEMod:SUMMary?

Front Panel Access: Measurements, Demodulator, Modulation Summary

:MEASure:DEMod:TXFRequency:PRECise?

Title: Measure Transmitter Frequency

Description: Sets the active measurement to code domain power, sets the default measurement parameters, triggers a new measurement and returns the transmitter frequency results. It is a combination of the commands :CONFigure:DEMod CDP; :READ:DEMod:TXFRequency:PRECise? For a description of the default code domain power measurement parameters see :CONFigure:DEMod CDP. To make a transmitter frequency measurement with settings other than the default values send:

```
:CONFigure:DEMod
CDP Commands to set desired settings
:READ:DEMod:TXFRequency:PRECise?
```

Note that this command is the same as :MEASure:DEMod:TXFRequency?, but returns the result with a precision of one-tenth Hertz.

Default Unit: Hertz

Related Command: :CONFigure:DEMod CDP
:MEASure:DEMod:TXFRequency?

:MEASure:DEMod:TXFRequency?

Title: Measure Transmitter Frequency

Description: Sets the active measurement to code domain power, sets the default measurement parameters, triggers a new measurement and returns the transmitter frequency results. It is a combination of the commands :CONFigure:DEMod CDP; :READ:DEMod:TXFRequency? For a description of the default code domain power measurement parameters see :CONFigure:DEMod CDP. To make a transmitter frequency measurement with settings other than the default values send:

```
:CONFigure:DEMod
CDP Commands to set desired settings
:READ:DEMod:TXFRequency?
```

Default Unit: Hertz

Related Command: :CONFigure:DEMod CDP

:MEASure:EMISsion:FAIL?

Title: Measure Spectral Emission Mask Pass/Fail status

Description: Sets the active measurement to spectral emission mask, sets the default measurement parameters, triggers a new measurement and returns the spectral emission mask pass/fail results. It is a combination of the commands CONFigure:RF EMISsion; :READ:EMISsion:FAIL? For a description of the default spectral emission mask measurement parameters see :CONFigure:RF EMISsion. To make a spectral emission mask pass/fail status measurement with settings other than the default values send:

```
:CONFigure:RF EMISsion
Commands to set desired settings
:READ:EMISsion:FAIL?
```

Related Command: :MEASure:EMISsion
:MEASure:EMISsion:TEMPlate?
:CONFigure:RF EMISsion

:MEASure:EMISsion:TEMPLate:DATA?

Title: Measure Spectral Emission Mask Template Data

Description: Sets the active measurement to spectral emission mask, sets the default measurement parameters, triggers a new measurement and returns the spectral emission mask template power level, frequency, and PASS/FAIL data for all ten frequency ranges shown in the Spectral Emission Summary. It is a combination of the commands :CONFigure:RF EMISsion; :READ:EMISsion:TEMPLate:DATA? For a description of the default spectral emission mask measurement parameters, see :CONFigure:RF EMISsion. To make a spectral emission mask template measurement with settings other than the default values send:

```
:CONFigure:RF EMISsion
Commands to set desired settings
:READ:EMISsion:TEMPLate:DATA?
```

For each frequency range, the data is returned as 3 comma delimited values: Power Level in dBm, Frequency in Hz, and PASS/FAIL.

Related Command: :READ:EMISsion:TEMPLate:DATA?
:FETCh:EMISsion:TEMPLate:DATA?
:CONFigure:RF EMISsion

:MEASure:EMISsion:TEMPLate?

Title: Measure Spectral Emission Mask Template

Description: Sets the active measurement to spectral emission mask, sets the default measurement parameters, triggers a new measurement and returns the spectral emission mask template results. It is a combination of the commands :CONFigure:RF EMISsion; :READ:EMISsion:TEMPLate? For a description of the default spectral emission mask measurement parameters see :CONFigure:RF EMISsion. To make a spectral emission mask template measurement with settings other than the default values send:

```
:CONFigure:RF EMISsion
Commands to set desired settings
:READ:EMISsion:TEMPLate?
```

Related Command: :MEASure:EMISsion?
:MEASure:EMISsion:FAIL?
:CONFigure:RF EMISsion

:MEASure:EMISsion?

Title: Measure Spectral Emission Mask

Description: Sets the active measurement to spectral emission mask, sets the default measurement parameters, triggers a new measurement and returns the spectral emission mask measurement results. It is a combination of the commands :CONFigure:RF EMISsion; :READ:EMISsion? For a description of the default spectral emission mask measurement parameters see :CONFigure:RF EMISsion. To make a spectral emission mask measurement with settings other than the default values send:

```
:CONFigure:RF EMISsion
Commands to set desired settings
:READ:EMISsion?
```

Results are returned as 2 comma-delimited values: pass/fail status, and template number.

Related Command: :MEASure:EMISsion:FAIL?
:MEASure:EMISsion:TEMPLate?

:MEASure:OBWidth?

Title: Measure Occupied Bandwidth

Description: Sets the active measurement to RF spectrum, sets the default measurement parameters, triggers a new measurement and returns the occupied bandwidth results. It is a combination of the commands :CONFigure:RF SPECTrum; :READ:OBWidth? For a description of the default occupied bandwidth measurement parameters see :CONFigure:RF SPECTrum. To make an occupied bandwidth measurement with settings other than the default values send:

```
:CONFigure:RF SPECTrum
Commands to set desired settings
:READ:OBWidth?
```

Default Unit: Hz

Related Command: :CONFigure:OBWidth
:CONFigure:RF SPECTrum

:MEASure:OTA{1|2|3|4|5|6}?

Title: Measure Over The Air

Description: Sets the active measurement to over-the-air, sets the default measurement parameters, triggers a new measurement and returns the OTA measurement results. It is a combination of the commands :CONFigure:OTA; :READ:OBWidth? For a description of the default occupied bandwidth measurement parameters see :CONFigure:RF SPECTRUM. To make an OTA measurement with settings other than the default values send:

```
:CONFigure:OTA
Commands to set desired settings
:READ:OTA?
```

The measurement results are returned as 5 comma delimited values: scrambling code, CPICH power, chip energy, Ec/I0 ratio, pilot dominance.

Default Unit: Scrambling Code: No units
CPICH power: dBm
Chip Energy: dBm
EC/I0: dB
Pilot dominance: No units

Related Command: :CONFigure:OTA

:MEASure:PFail?

Title: Measure PASS/FAIL

Description: Sets the active measurement to PASS/FAIL, sets the default measurement parameters, triggers a new measurement and returns the PASS/FAIL results. It is a combination of the commands :CONFigure:PFail; :READ:PFail? To make a channel power measurement with settings other than the default values send:

```
:CONFigure PFail
Commands to set desired settings
:READ:PFail?
```

Related Command: :CONFigure:PFail
READ:PFail?
FETCh:PFail?

Front Panel Access: Shift-4 (Measurement), PASS/FAIL

:MEASure:PTAPower?

Title: Measure Peak to Average Power

Description: Sets the active measurement to RF spectrum, sets the default measurement parameters, triggers a new measurement and returns the PTAP measurement results. It is a combination of the commands :CONFigure:RF SPECTrum; :READ:PTAPower? For a description of the default occupied bandwidth measurement parameters see :CONFigure:RF SPECTrum. To make a peak to average power measurement with settings other than the default values send:

```
:CONFigure:RF SPECTrum  
Commands to set desired settings  
:READ:PTAPower?
```

Default Unit: dB

Related Command: :CONFigure:RF SPECTrum

:MEASure:RF:SUMMARY?

Title: Measure RF Summary

Description: Sets the active measurement to RF Summary, sets the default measurement parameters, triggers a new measurement and returns Carrier Frequency, Frequency Error, channel Power, P-CPICH Power, Carrier Feed Through, Peak CDE, EVM, P-CCPCH Power, S-CCPCH Power, PICH Power, PSCH Power, SSCH Power, RMS Phase Er (deg). It is a combination of the following commands :CONFigure:RF SUMMARY; :READ:RF:SUMMARY? To make a RF Summary measurement with settings other than the default values send: :CONFigure:RF SUMMARY Commands to set desired settings :READ:RF:SUMMARY?

Data is returned as 10 comma-delimited values: Channel Power, Carried Frequency, Frequency Error, Spectral Emission, Occupied Bandwidth, Peak to Avg Power, Filtered -10MHz, Filtered -5 MHz, Filtered 5MHz, Filtered 10 MHz . All invalid values are replaced with "--". Power units are in watt or dBm as per what is set by the user. Frequency is always in Hz.

```
Related Command: :CONFigure:RF SUMMARY  
:READ:RF:SUMMARY?  
:FETCh:RF:SUMMARY?
```

Front Panel Access: Measurements, RF, RF Summary

8-9 :READ Subsystem

This set of commands combines the ABORT, INITiate and FETCh commands. It aborts any current triggering sequence and sets the trigger state to idle. It then initiates a new active measurement (i.e. begins the collection of new data). When the measurement is complete, it returns the result. These commands will not switch to another measurement.

To get the current measurement data, use the FETCh command.

:READ:ACLR?

Title: Read Adjacent Channel Leakage Ratio (ACLR)

Description: Triggers a new adjacent channel power ratio measurement and returns the results: main channel power, lower adjacent and upper adjacent channel power, and lower alternate and upper alternate channel power. It is a combination of the commands :ABORT; :INITiate; :FETCh:ACLR? The ACLR measurement must be the active measurement (specified by :CONFigure:RF ACLR). The current measurement can be queried using :CONFigure?

Data is returned as 12 comma-separated values: -20 MHz channel power, -15 MHz channel power, -10 MHz channel power, -5 MHz channel power, Main channel power 1, Main channel power 2, Main channel power 3, Main channel power 4, +5 MHz channel power, +10 MHz channel power, +15 MHz channel power, +20 MHz channel power.

Related Command: :CONFigure:RF ACLR

:READ:CHPower?

Title: Read Channel Power

Description: Triggers a new channel power measurement and returns the channel power result. It is a combination of the commands :ABORT; :INITiate; :FETCh:CHPower:CHPower? It returns only the channel power, not the channel power density. Use the command :READ:CHPower? to get both channel power and channel power density. The channel power measurement must be the active measurement (specified by :CONFigure:CHPower). The current measurement can be queried using the :CONFigure? command.

Default Unit: Current amplitude units

Related Command: :READ:CHPower?
:READ:CHPower:DENSity?
:CONFigure

:READ:DEMod:ACTChannels?

Title: Read Active Code Domain Channel Count

Description: Triggers a new measurement and returns the active channel count. It is a combination of the commands :ABORT; :INITiate; :FETCh:DEMod:ACTChannels? A demodulation measurement must be active. The current measurement can be queried using :CONFigure?

Default Unit: dB

Related Command: :CONFigure:DEMod

:READ:DEMod:CDPower?

Title: Read Code Domain Power

Description: Triggers a new measurement and returns the Pilot Power, Channel Power, Noise Floor, Rho, Carrier Feed Through, Tau, RMS Phase Error, Frequency Error, Frequency Error PPM, Page, Sync, and Q Page measurement results. It is a combination of the following commands :ABORT; :INITiate; :FETCh:DEMod:CDPower? In order for the data to be accurate, the Code Domain Power measurement must be the active measurement (specified by :CONFigure:DEMod CDPower. The current measurement can be queried using :CONFigure?

Data is returned as 12 comma-delimited values: Pilot Power in the current user set unit (dBm/W/mW), Channel Power in the current user set unit (dBm/W/mW), Noise Floor in dB, Rho, Carrier Feed Through in dB, Tau in ps, RMS Phase Error in deg, Frequency Error in Hz, Frequency Error PPM, Page in dBm, Sync in dBm, and Q Page. All invalid values are replaced with "--".

Default Unit: dBm

Related Command: CONFigure:DEMod CDPower
:MEASure:DEMod:CDPower?
:FETCh:DEMod:CDPower?

Front Panel Access: Measurement, Demodulator, CDP

:READ:DEMod:CFTHrough?

Title: Read Carrier Feed Through

Description: Triggers a new measurement and returns the carrier feed through results. It is a combination of the commands :ABORT; :INITiate; :FETCh:DEMod:CFTHrough? The carrier feed through measurement must be active. The current measurement can be queried using :CONFigure?

Default Unit: dB

:READ:DEMod:EVM?

Title: Read Error Vector Magnitude (EVM)

Description: Triggers a new measurement and returns the EVM results. It is a combination of the commands :ABORT; :INITiate; :FETCh:DEMod:EVM? The EVM measurement must be active. The current measurement can be queried using :CONFigure?

Default Unit: %

Related Command: :CONFigure:DEMod

:READ:DEMod:FERRor:PPM?

Title: Read Frequency Error PPM

Description: See Also: :CONFigure:DEMod Triggers a new measurement and returns the frequency error results. It is a combination of the commands :ABORT; :INITiate; :FETCh:DEMod:FERRor:PPM? The frequency error PPM measurement must be active. The current measurement can be queried using :CONFigure?

Related Command: :MEASure:DEMod:FERRor:PPM?
:FETCh:DEMod:FERRor:PPM?
:CONFigure:DEMod CDP

:READ:DEMod:FERRor:PRECise?

Title: Read Frequency Error

Description: Triggers a new measurement and returns the frequency error results. It is a combination of the commands :ABORT; :INITiate; :FETCh:DEMod:FERRor:PRECise? The frequency error measurement must be active. The current measurement can be queried using :CONFigure? Note that this command is the same as :READ:DEMod:FERRor?, but returns the result with a precision of one-tenth Hertz.

Default Unit: Hertz

Related Command: :CONFigure:DEMod
:READ:DEMod:FERRor?

:READ:DEMod:FERRor?

Title: Read Frequency Error

Description: Triggers a new measurement and returns the frequency error results. It is a combination of the commands :ABORT; :INITiate; :FETCh:DEMod:FERRor? The frequency error measurement must be active. The current measurement can be queried using :CONFigure?

Default Unit: Hertz

Related Command: :CONFigure:DEMod

:READ:DEMod:HSDPa:FERRor:PPM?

Title: Read HSDPA Frequency Error PPM

Description: Triggers a new measurement and returns the frequency error results. It is a combination of the commands :ABORT; :INITiate; :FETCh:DEMod:HSDPa:FERRor:PPM? The HSDPA frequency error PPM measurement must be active. The current measurement can be queried using :CONFigure?

Related Command: :MEASure:DEMod:HSDPa:FERRor:PPM?
:FETCh:DEMod:HSDPa:FERRor:PPM?
:CONFigure:DEMod HSDPa

:READ:DEMod:HSDPa:FERRor?

Title: Read HSDPA Frequency Error

Description: Triggers a new measurement and returns the frequency error results. It is a combination of the commands :ABORT; :INITiate; :FETCh:DEMod:HSDPa:FERRor? The HSDPA frequency error measurement must be active. The current measurement can be queried using :CONFigure?

Default Unit: Hertz

Related Command: :MEASure:DEMod:HSDPa:FERRor?
:FETCh:DEMod:HSDPa:FERRor?
:CONFigure:DEMod HSDPa

:READ:DEMod:HSDPa:TXFrequency?

Title: Read HSDPA Transmitter Frequency

Description: Triggers a new measurement and returns the HSDPA transmitter frequency results. It is a combination of the commands :ABORT; :INITiate; :FETCh:DEMod:HSDPa:TXFrequency? The HSDPA transmitter frequency measurement must be active. The current measurement can be queried using :CONFigure?

Default Unit: Hz

Related Command: :MEASure:DEMod:HSDPa:TXFrequency?
:FETCh:DEMod:HSDPa:TXFREquency?
:CONFigure:DEMod HSDPa

:READ:DEMod:NFLoor?

Title: Read Noise Floor

Description: Triggers a new measurement and returns the noise floor results. It is a combination of the commands :ABORT; :INITiate; :FETCh:DEMod:NFLoor? The noise floor measurement must be active. The current measurement can be queried using :CONFigure?

Default Unit: dB

Related Command: :CONFigure:DEMod

:READ:DEMod:NUMChannels?

Title: Read Code Domain Channel Count

Description: Triggers a new measurement and returns the channel count. It is a combination of the commands :ABORT; :INITiate; :FETCh:DEMod:NUMChannels? A demodulation measurement must be active. The current measurement can be queried using :CONFigure?

Default Unit: dB

Related Command: :CONFigure:DEMod

:READ:DEMod:SPOWer?

Title: Read Synch Channel Power

Description: Triggers a new measurement and returns the synch channel power results. It is a combination of the commands :ABORT; :INITiate; :FETCh:DEMod:SPOWer? The synch channel power measurement must be active. The current measurement can be queried using :CONFigure?

Results are returned as 3 comma-delimited values: SCH power, PSCH power, SSCH power.

Default Unit: dBm

Related Command: :CONFigure:DEMod

:READ:DEMod:SUMMARY?

Title: Read Modulation Summary

Description: Triggers a new Modulation Summary measurement and returns the results. It is a combination of the commands :ABORT; :INITiate; FETCh:DEMod:SUMMARY? The current measurement can be queried using :CONFigure?

Data is returned as 13 comma-delimited values: : Carrier Frequency, Frequency Error, channel Power, P-CPICH Power, Carrier Feed Through, Peak CDE, EVM, P-CCPCH Power, S-CCPCH Power, PICH Power, PSCH Power, SSCH Power, RMS Phase Er (deg). All invalid values are replaced with "--". Power units are in watt or dBm as per what is set by the user. Frequency is always in Hz.

Related Command: :CONFigure:DEMod SUMMARY
:READ:DEMod:SUMMARY?
:FETCh:DEMod:SUMMARY?

Front Panel Access: Measurements, Demodulator, Modulation Summary

:READ:DEMod:TXFrequency:PRECise?

Title: Read Transmitter Frequency

Description: Triggers a new measurement and returns transmitter frequency results. It is a combination of the commands :ABORT; :INITiate; :FETCh:DEMod:TXFrequency:PRECise? The carrier frequency measurement must be active. The current measurement can be queried using :CONFigure? Note that this command is the same as :READ:DEMod:TXFrequency?, but returns the result with a precision of one-tenth Hertz.

Default Unit: Hz

Related Command: :CONFigure:DEMod
:READ:DEMod:TXFrequency?

:READ:DEMod:TXFrequency?

Title: Read Transmitter Frequency

Description: Triggers a new measurement and returns transmitter frequency results. It is a combination of the commands :ABORT; :INITiate; :FETCh:DEMod:TXFrequency? The carrier frequency measurement must be active. The current measurement can be queried using :CONFigure?

Default Unit: Hz

Related Command: :CONFigure:DEMod

:READ:EMISsion:FAIL?

Title: Read Spectral Emission Mask Pass/Fail Status

Description: Triggers a new spectral emission mask measurement and returns the pass/fail results. It is a combination of the commands :ABORT; :INITiate; :FETCh:EMISsion:FAIL? The spectral emission mask measurement must be active. The current measurement can be queried using :CONFigure?

Related Command: :CONFigure:RF EMISsion

:READ:EMISsion:TEMPlate:DATA?

Title: Read Spectral Emission Mask Template Data

Description: Triggers a new spectral emission mask measurement and returns the spectral emission mask template power level, frequency, and PASS/FAIL data for all ten frequency ranges shown in the Spectral Emission Summary. It is a combination of the commands :ABORT; :INITiate; :FETCh:EMISsion:TEMPlate:DATA? The spectral emission mask measurement must be active. The current measurement can be queried using :CONFigure?

For each frequency range, the data is returned as 3 comma delimited values: Power Level in dBm, Frequency in Hz, and PASS/FAIL.

Related Command: :MEASure:EMISsion:TEMPlate:DATA?
:FETCh:EMISsion:TEMPlate:DATA?
:CONFigure:RF EMISsion

:READ:EMISsion:TEMPlate?

Title: Read Spectral Emission Mask Template

Description: Triggers a new spectral emission mask measurement and returns the template number result. It is a combination of the commands :ABORT; :INITiate; :FETCh:EMISsion:TEMPlate? The spectral emission mask measurement must be active. The current measurement can be queried using :CONFigure?

Related Command: :CONFigure:RF EMISsion

:READ:EMISsion?

Title: Read Spectral Emission Mask

Description: Triggers a new spectral emission mask measurement and returns the results: pass/fail status and template number. It is a combination of the commands :ABORT; :INITiate; :FETCh:EMISsion? The spectral emission mask measurement must be active. The current measurement can be queried using :CONFigure?

Results are returned as 2 comma-delimited values: pass/fail status, and template number.

Related Command: :CONFigure:RF EMISsion

:READ:OBWidth?

Title: Read Occupied Bandwidth

Description: Triggers a new occupied bandwidth measurement and returns the results: occupied bandwidth, percent of power and dB down. It is a combination of the commands :ABORT; :INITiate; :FETCh:OBWidth? The occupied bandwidth measurement must be the active measurement (specified by :CONFigure:OBWidth). The current measurement can be queried using the :CONFigure?

Default Unit: Hz

Related Command: :CONFigure

:READ:OTA{1|2|3|4|5|6}?

Title: Read Over The Air

Description: Triggers a new over-the-air measurement and returns the result. It is a combination of the commands :ABORT; :INITiate; :FETCh:OTA? The over-the-air measurement must be active. The current measurement can be queried using :CONFigure?

The measurement results are returned as 5 comma delimited values: scrambling code, CPICH power, chip energy, Ec/I0 ratio, pilot dominance.

Default Unit: Scrambling Code: No units
 CPICH power: dBm
 Chip Energy: dBm
 EC/I0: dB
 Pilot dominance: No units

Related Command: :CONFigure:OTA

:READ:PFail?

Title: Read PASS/FAIL

Description: Triggers a new PASS/FAIL measurement and returns the results. It is a combination of the commands :ABORT; :INITiate; FETCh:PFail? The PASS/FAIL measurement must be active. The current measurement can be queried using :CONFigure?

Related Command: MEASure:PFail?
 :CONFigure:PFail
 FETCh:PFail?
 :CONFigure:PFail

Front Panel Access: Shift-4 (Measurement), PASS/FAIL

:READ:PTAPower?

Title: Read Peak to Average Power Ratio

Description: Triggers a new measurement and returns the peak to average power ratio result. It is a combination of the commands :ABORT; :INITiate; :FETCh:PTAPower? The peak to average power measurement must be active. The current measurement can be queried using :CONFigure?

Default Unit: dB

Related Command: :CONFigure:RF

:READ:RF:SUMMARY?

Title: Read RF Summary

Description: Triggers a new RF Summary measurement and returns the results. It is a combination of the commands :ABORT; :INITiate; FETCh:RF:SUMMARY? The current measurement can be queried using :CONFigure?

Data is returned as 10 comma-delimited values: Channel Power, Carrier Frequency, Frequency Error, Spectral Emission, Occupied Bandwidth, Peak to Avg Power, Filtered -10MHz, Filtered -5 MHz, Filtered 5MHz, Filtered 10 MHz . All invalid values are replaced with "--". Power units are in watt or dBm as per what is set by the user. Frequency is always in Hz

Related Command: :CONFigure:RF SUMMARY
:READ:RF:SUMMARY?
:FETCh:RF:SUMMARY?

Front Panel Access: Measurements, RF, RF Summary

8-10 :TRACe Subsystem

This subsystem contains commands related to the transfer of trace data to and from the instrument.

:TRACe:PREamble? <trace type>

Title: Trace Header Transfer

Description: The <trace type> must be one of the following: ACLR | SPECTrum | EMISsion | DEMod. Returns trace header information for the specified trace. Data can be transferred to and from the 4 available display trace types.

Use the commands in the MMEMory subsystem to store and recall traces from the instrument memory. The response begins with an ASCII header. The header specifies the number of following bytes. It looks like #AX, where A is the number of digits in X and X is the number of bytes that follow the header. Parameters are returned in comma-delimited ASCII format. Each parameter is returned as "NAME=VALUE[UNITS]," Valid parameter names are shown in "[WCDMA Parameter Names](#)" on page 2-24.

Parameter: <trace type>

Related Command: :TRACe:DATA?

:TRACe[:DATA] ACLR|SPECTrum|EMISsion|DEMod, (<header><block>)

:TRACe[:DATA]? ACLR|SPECTrum|EMISsion|DEMod

Title: Trace Data Transfer

Description: This command transfers data from the controlling program to the instrument. The query form transfers trace data from the instrument to the controller. Before executing this command the instrument must be set to the desired measurement.

The ASCII header specifies the number of data bytes. It looks like #AX, where A is the number of digits in X and X is the number of bytes in the <block>. The number of bytes in the block is calculated by multiplying the number of data points by the number of bytes used to transfer each data point. Also note that the second argument must be enclosed in parentheses.

The format of the block data in the query form is specified by :FORMat:DATA. The block data in the command form is always sent in ASCII format. Trace setup information can be acquired using :TRACe[:DATA]:PREamble?. Data can be transferred to and from the 4 available display types. Use the commands in the MMEMory subsystem to store and recall traces from the instrument memory. This command does not support setting all trace points to a single value. To do this, send the same value to each point. For RF traces (ACLR, Spectrum and EMISsion), there is only one value per data point.

For example, to transfer a 501 point trace from the controlling program to the ACLR trace in the instrument the command :TRACe:DATA ACLR,(#42004<block>) would be sent. <block> data could be in either INTeger,32 or REAL,32 format. In both cases, there would be 4 bytes per data point. So, 4 bytes per point * 501 data points gives 2004 bytes in <block> data. For the demodulated code domain power trace, each data point is represented by 6 values of 4 bytes each: code number (no units), absolute power (dBm), relative power (dB), spreading factor (no units), symbol EVM (%), code state(0 = Inactive, 1 = Active). If Option 65 is installed code state will indicate the modulation type (0 = Noise, 1 = QPSK, 2 = 16_QAM).

Note that the instrument must be set in the selected view. Use the CONFIgure command to set the unit to the selected view.

Parameter: ACLR | SPECTrum | EMISsion | DEMod, (<header><block>)

Parameter Type: <char>

Related Command: :FORMat:DATA
:TRACe[:DATA]:PREamble?

8-11 [:SENSE] Subsystem

The commands in this subsystem relate to device-specific parameters, not signal-oriented parameters.

[:SENSE] :AVERAge:FERRor OFF|ON|0|1

[:SENSE] :AVERAge:FERRor?

Title: Frequency Error Averaging State

Description: Turns averaging for Frequency Error ON or OFF. Setting the value to ON or 1 will result in turning frequency error averaging ON.

The Query form of this command returns either "1" or "0". "1" corresponds to frequency error averaging being ON and "0" corresponds to frequency error averaging being OFF.

Parameter: OFF|ON|0|1

Parameter Type: <boolean>

Default Value: OFF

Related Command: [:SENSE] :AVERAge:FERRor:COUNT
[:SENSE] :AVERAge:FERRor:COUNT?
:MMEMory:LOAD:TRACe

Front Panel Access: Setup, More, Freq Err Avg

[:SENSE] :AVERAge:FERRor:COUNT <integer>

[:SENSE] :AVERAge:FERRor:COUNT?

Title: Average Frequency Error Count

Description: Sets the number that is used for averaging the frequency error.

Parameter: <integer>

Parameter Type: <integer>

Default Value: 2

Range: 2 to 15

Related Command: [:SENSE] :AVERAge:FERRor
[:SENSE] :AVERAge:FERRor?

Front Panel Access: Setup, More, Freq Err Avg Cnt

[:SENSE] :DEMod:CODogram:TIME <seconds>

[:SENSE] :DEMod:CODogram:TIME?

Title: Codogram Measurement Time

Description: This command refers to the minimum elapsed time between successive codogram measurements.

Parameter: <seconds>

Default Value: 5 seconds

Range: 5 seconds to 6000 seconds

[:SENSe]:DEMod:CPICH:ABSolute?

Title: Absolute Common Pilot Channel (CPICH) Level

Description: Queries the absolute Common Pilot Channel level.

Default Unit: dB

Related Command: MEASure:DEMod:CDPower?
 READ:DEMod:CDPower?
 FETCh:DEMod:CDPower?

[:SENSe]:DEMod:CPICH:RELative?

Title: Relative Common Pilot Channel (CPICH) Level

Description: Queries the relative Common Pilot Channel level.

Default Unit: dB

Related Command: MEASure:DEMod:CDPower?
 :READ:DEMod:CDPower?
 :FETCh:DEMod:CDPower?

[:SENSe]:DEMod:CTRLchannels:UNIT RELative|ABSolute|DELTA**[:SENSe]:DEMod:CTRLchannels:UNIT?**

Title: Control Channels Display Units

Description: This command refers to the display units for the control channels in the HSDPA and CDP view. Setting the value to RELative will result in displaying P-CCPCH, S-CCPCH, PICH, P-SCH and S-SCH in relative powers. Setting the value to ABSolute will result in displaying P-CCPCH, S-CCPCH, PICH, P-SCH and S-SCH in absolute powers.

Parameter: RELative|ABSolute|DELTA

Parameter Type: <char>

Default Value: RELative

Range: RELative|ABSolute|DELTA

Front Panel Access: Shift-4 (Measure), Demodulator, HSDPA, Control Channels; Shift-4 (Measure), Demodulator, CDP, Control Channels

[:SENSe]:DEMod:HSDPa:IQPersistence <integer>**[:SENSe]:DEMod:HSDPa:IQPersistence?**

Title: HSDPA IQ Persistence

Description: Sets the number of samples before displaying the screen.

Parameter: <integer>

Parameter Type: <integer>

Default Value: 1

Range: 1 to 48

Front Panel Access: Measurements, Demodulator, HSDPA, IQ Persistence

[:SENSe]:DEMod:HSDPa:TIME <seconds>

[:SENSe]:DEMod:HSDPa:TIME?

Title: HSDPA Measurement Time

Description: This command refers to the minimum elapsed time between successive codogram measurements.

Parameter: <seconds>

Default Value: 5 seconds

Range: 5 to 6000 seconds

Front Panel Access: Measurements, Demodulator, HSDPA, Single Sweep Time

[:SENSe]:DEMod:PCCPch:RELative?

Title: Relative Primary Common Control Physical Channel (P-CCPCH) Level

Description: Queries the relative Primary Common Control Physical Channel level.

Default Unit: dB

Related Command: MEASure:DEMod:CDPower?
:READ:DEMod:CDPower?
:FETCh:DEMod:CDPower?

[:SENSe]:DEMod:PCDerror?

Title: Peak Code Domain Error

Description: Queries the Peak Code Domain Error.

Default Unit: dB

[:SENSe]:DEMod:PICH:CODE <code number>

[:SENSe]:DEMod:PICH:CODE?

Title: PICH Code Number

Description: This command refers to the channelization code number of the PICH channel for W-CDMA code domain demodulation measurements.

Parameter: <code number>

Default Value: 16

Range: 0 to 255

Front Panel Access: Setup, PICH Code

[:SENSe]:DEMod:SCCPch:CODE <code number>

[:SENSe]:DEMod:SCCPch:CODE?

Title: S-CCPCH Code Number

Description: This command refers to the channelization code number of the S-CCPCH channel for W-CDMA code domain demodulation measurements.

Parameter: <code number>

Default Value: 3

[:SENSe]:DEMod:SCCPch:SFACTOR 4|8|16|32|64|128|256

[:SENSe]:DEMod:SCCPch:SFACTOR?

Title: S-CCPCH Spreading Factor

Description: This command refers to the spreading factor of the S-CCPCH channel for W-CDMA code domain demodulation measurements.

Parameter: 4|8|16|32|64|128|256

Default Value: 256

Front Panel Access: Setup, S-CCPCH Spread

[:SENSe]:DEMod:SCODE <scrambling code>

[:SENSe]:DEMod:SCODE?

Title: Scrambling Code

Description: This command refers to the primary scrambling code used for W-CDMA code domain demodulation measurements. When the auto scrambling code feature is turned on, this setting will be overwritten by the automatically detected value.

Parameter: <scrambling code>

Default Value: 0

Range: 0 to 255

Front Panel Access: Setup, Scrambling Code Setup, S-CCPCH Code

[:SENSe]:DEMod:SCODE:AUTO OFF|ON|0|1

[:SENSe]:DEMod:SCODE:AUTO?

Title: Automatic Scrambling Code Detection

Description: Sets the state of the automatic scrambling code detection feature. Setting the value to ON or 1 will result in the scrambling code being set to the code of the strongest detected signal. That is, the instrument will detect the strongest signal present and use the scrambling code of that signal for demodulation. Setting the value to OFF or 0 will force the instrument to base all demodulation on the user-selected scrambling code value. The default value is ON. That is, sending :SENS:DEM:SCOD:AUTO is equivalent to sending :SENS:DEM:SCOD:AUTO ON.

Parameter: OFF|ON|0|1

Parameter Type: <boolean>

Default Value: ON

Related Command: [:SENSe]:DEMod:SCODE

Front Panel Access: Setup, Scrambling Code

[:SENSe]:DEMod:SFACTOR 256|512

[:SENSe]:DEMod:SFACTOR?

Title: Maximum Spreading Factor

Description: This command refers to the maximum spreading factor used when demodulating a UMTS/W-CDMA signal.

Parameter: 256|512

Default Value: 512

Front Panel Access: Setup, Max Spreading

[:SENSe]:DEMod:THRShold <rel ampl>

[:SENSe]:DEMod:THRShold?

Title: Active Code Threshold

Description: This command refers to the threshold used for detecting active vs. inactive traffic channels in W-CDMA code domain demodulation measurements. If the automatic threshold feature is used, this setting will be overwritten by the automatically detected threshold.

Parameter: <rel ampl>

Default Value: -30 dB

Range: -50 dB to -10 dB

[:SENSe]:DEMod:THRShold:AUTO OFF|ON|0|1

[:SENSe]:DEMod:THRShold:AUTO?

Title: Automatic Threshold

Description: Sets the state of the automatic threshold feature. Setting the value to ON or 1 will enable the automatic threshold feature. Setting the value to OFF or 0 will disable the automatic threshold feature. The default value is ON. That is, sending :SENS:DEM:THRS:AUTO is equivalent to sending :SENS:DEM:THRS:AUTO ON.

Parameter: OFF|ON|0|1

Parameter Type: <boolean>

Default Value: ON

Related Command: [:SENSe]:DEMod:THRShold

Front Panel Access: Setup, Threshold

[:SENSe]:FREQuency:CENTer <freq>

[:SENSe]:FREQuency:CENTer?

Title: Center Frequency

Description: Sets the center frequency. Note that changing the value of the center frequency will change the value of the coupled parameters Start Frequency and Stop Frequency. It may also change the value of the span. Note that the set command is available only if the instrument is in Cable & Antenna mode.

Parameter: <freq>

Default Value: 1 GHz

Default Unit: Hz

Range: 824 MHz to 2.7 GHz

Front Panel Access: Freq, Center Freq

[:SENSe]:FREQuency:START?

Title: Start Frequency

Description: Queries the start frequency of the RF Band Spectrum. Note that this command is valid only if the current view is set to RF Band Spectrum.

Parameter: <freq>

Default Unit: Hz

Related Command: [:SENSe]:FREQuency:STOP?

Front Panel Access: Freq, Start Freq

[:SENSe]:FREQuency:STOP?

Title: Stop Frequency

Description: Queries the stop frequency of the RF Band Spectrum. Note that this command is valid only if the current view is set to RF Band Spectrum.

Parameter: <freq>

Default Unit: Hz

[:SENSe]:OTA:RESet

Title: OTA Reset

Description: This command forces the instrument to reset the over-the-air measurement and start fresh without any history. When the auto scrambling code feature is ON the RESet command will clear the list of scrambling codes and attempt to detect new codes. When the auto scrambling code feature is OFF the RESet command will force the instrument to take new measurements for all of the user-selected scrambling codes.

Front Panel Access: Measurements, Over-the-Air, Reset

[:SENSe]:OTA:SCODE:AUTO OFF|ON|0|1**[:SENSe]:OTA:SCODE:AUTO?**

Title: Automatic OTA Scrambling Code Detection

Description: Sets the state of the automatic scrambling code detection feature. Setting the value to ON or 1 will result in the scrambling codes being set to the codes of the strongest detected signals. That is, the instrument will detect the strongest signals present. Setting the value to OFF or 0 will force the instrument to base all over-the-air measurements on the user-selected scrambling code values. The default value is ON. That is, sending :SENS:DEM:OTA:SCOD:AUTO is equivalent to sending :SENS:DEM:OTA:SCOD:AUTO ON.

Parameter: OFF|ON|0|1

Parameter Type: <boolean>

Default Value: ON

Related Command: [:SENSE]:DEMod:OTA:SCODE

Front Panel Access: Measurements, Over-the-Air, Auto Scrambling

[:SENSe]:OTA:SCODE:LOCK OFF|ON|0|1

[:SENSe]:OTA:SCODE:LOCK?

Title: OTA Scrambling Code Lock

Description: This command refers to the primary scrambling codes used for W-CDMA over-the-air measurements. When scrambling code lock is ON, the instrument will not search for any new scrambling codes and will only measure the codes that have already been detected. When scrambling code lock is OFF, the instrument will dynamically update the list of scrambling codes that are to be included in the current measurements. This feature has no effect when scrambling code auto detection is OFF for over-the-air measurements. The default value for this command is ON. That is, sending SENS:DEM:OTA:LOCK is equivalent to SENS:DEM:OTA:LOCK ON.

Parameter: OFF|ON|0|1

Parameter Type: <boolean>

Default Value: OFF

Front Panel Access: Measurements, Over-the-Air, Code Lock

[:SENSe]:OTA:SCODE{1|2|3|4|5|6}<scrambling code>

[:SENSe]:OTA:SCODE{1|2|3|4|5|6}?

Title: OTA Scrambling Code

Description: This command refers to the primary scrambling codes used for W-CDMA over-the-air measurements. To disable the specified code use a scrambling code value of '-1'. When the auto scrambling code feature is turned on, setting this value has no direct effect on measurement results.

Parameter: <scrambling code>

Default Value: -1

Range: -1 to 511

Front Panel Access: Measurements, Over-the-Air, Manual Scrambling Code

[:SENSe]:OTA:SORT CODE|POWER

[:SENSe]:OTA:SORT?

Title: OTA Sort Parameter

Description: This command refers to the parameter that is used to sort the over-the-air measurement results.

Parameter: CODE|POWER

Parameter Type: <char>

Default Value: CODE

Front Panel Access: Measurements, Over-the-Air, Sort By

[:SENSe]:PFail <test set>

[:SENSe]:PFail?

Title: PASS/FAIL Test Selection

Description: Selects the active test set to be used in subsequent PASS/FAIL measurements. The <test set> value must correspond to a test set that is defined in the test set list. For more information on loading test sets to the instrument, see the :MMEMory:STORe:PFail command. NOTE: The first test set in the list would be test set 0, the next test set would be 1, etc.

When using the query form of the command, the return value is the currently selected test set number. If there is not a valid test set selected, the return value is "-1" (negative 1).

Parameter: <test set>

Related Command: :CONFigure:PFail

Front Panel Access: Measurement, Pass Fail Mode, Select Pass/Fail Test

[:SENSe]:POWer[:RF]:RANGe:AUTO OFF|ON|0|1

[:SENSe]:POWer[:RF]:RANGe:AUTO?

Title: Automatic Amplitude Range

Description: Sets the automatic amplitude range. Setting the value to ON or 1 will result in the amplitude range being coupled to the detected input signal level. Setting the value to OFF or 0 will result in the input attenuation being un-coupled from the input signal level. That is, changing the input signal level will not change the amplitude range. When this command is issued, the amplitude range itself will not change. The default value is ON. That is, sending :SENS:POW:RANG:AUTO is equivalent to sending :SENS:POW:RANG:AUTO ON.

Parameter: OFF|ON|0|1

Parameter Type: <boolean>

Default Value: ON

Related Command: [:SENSe]:POWer[:RF]:RANGe

Front Panel Access: Amplitude, Auto Range

[:SENSe]:POWer[:RF]:RANGe[:IMMediate]

Title: Amplitude Range

Description: Re-calculates amplitude range. Note that issuing this command will set the automatic dynamic range OFF.

Related Command: [:SENSe]:POWer[:RF]:RANGe:AUTO

Front Panel Access: Amplitude, Adjust Range

[:SENSe] :RF:ACLR:ADJCchannelcount <num of channels>

[:SENSe] :RF:ACLR:ADJCchannelcount?

Title: ACLR ADJC Channel Count

Description: This command refers to the number of Adjacent channels in the ACLR view.

Parameter: <num of channels>

Default Value: 2

Range: 1 to 4

Front Panel Access: Measurements, RF Measurement, ACLR, Select # of Adjacent Channels

[:SENSe] :RF:ACLR:MAINchannelcount <num of main channels>

[:SENSe] :RF:ACLR:MAINchannelcount?

Title: ACLR MAIN Channel Count

Description: This command refers to the number of main channels in the ACLR view.

Parameter: <num of main channels>

Default Value: 1 Main Channel

Range: 1 to 4

Front Panel Access: Measurements, RF Measurement, ACLR, Select # of Main Channels

Chapter 9 — TDSCDMA Commands

9-1 :ABORt Subsystem

The abort subsystem includes commands that allow the user to stop current measurement activities on the instrument.

:ABORt

Title: Abort

Description: Restarts the current sweep and/or measurement. Resets the trigger system. If :INITiate:CONTinuous is OFF (i.e. the instrument is in single sweep mode), send the command :INITiate[:IMMediate] to trigger the next sweep. If :INITiate:CONTinuous is ON (i.e. the instrument is in continuous sweep mode) a new sweep will start immediately.

Parameter: NA

Related Command: :INITiate:CONTinuous
:INITiate[:IMMediate]

Front Panel Access: Shift-3 (Sweep), Reset Sweep

9-2 :CONFigure Subsystem

This set of commands prepares the instrument for the selected measurement. It disables any currently-enabled measurements and activates the specified measurement. It sets the instrument to single sweep mode, waiting for an :INITiate command. It will not initiate the taking of a measurement.

Current instrument settings may be changed to default values. These changes are identified with their respective measurement commands.

:CONFigure:DEMod <char>

Title: Configure Demodulation Measurement

Description: Valid <char> parameter options: DEMod SUMMary | CDPData

This command configures the selected demodulation measurement. It disables any other active measurements. Sets the instrument to single sweep mode (:INITiate:CONTinuous OFF). Measurement settings can be modified by using the [:SENSE]:DEMod commands before initiating a measurement. When the SUMMARY option is selected, the measurement results are equivalent to the results that are displayed by choosing Measurements, then Demodulator, then Modulation Summary from the front panel. When the CDPData option is selected, the measurement results are equivalent to the results that are displayed by choosing Measurements, then Demodulator, then CDP from the front panel.

Parameter: <char>

Front Panel Access: Shift-4 (Measurement), Demodulator

:CONFigure:OTA

Title: Configure Over-The-Air Measurement

Description: Valid parameter options: CSCan | TSCan

This command configures the selected Over The Air measurement. It disables any other active measurements. Sets the instrument to single sweep mode (:INITiate:CONTinuous OFF). Measurement settings can be modified before initiating a measurement. When the CSCan option is selected, the measurement results are equivalent to the results that are displayed by choosing Measurements, then OTA, then Code Scan from the front panel. When the TSCan option is selected, the measurement results are equivalent to the results that are displayed by choosing Measurements, then OTA, then Tau Scan from the front panel.

:CONFigure:RF <char>

Title: Configure RF Measurement

Description: Valid parameter options: RF SUMMArY | SPECTrum | PVTSlot | EMISsion

This command configures the selected RF measurement. It disables any other active measurements. Sets the instrument to single sweep mode (:INITiate:CONTinuous OFF). Measurement settings can be modified by using the [:SENSe]:RF commands before initiating a measurement.

When the SUMMArY option is selected, the measurement results are equivalent to the results that are displayed by choosing Measurements, then RF, then RF Summary from the front panel. When the SPECTrum option is selected, the measurement results are equivalent to the results that are displayed by choosing Measurements, then RF, then Channel Spectrum from the front panel. When the PVTSlot option is selected, the measurement results are equivalent to the results that are displayed by choosing Measurements, then RF, then Power vs. Time from the front panel. When the EMISsion option is selected, the measurement results are equivalent to the results that are displayed by choosing Measurements, then RF, then Spurious Emission from the front panel.

Parameter: <char>

Related Command: [:SENSe]:FREQuency
[:SENSe]:RF:ACLR:MAINchannelcount
[:SENSe]:RF:ACLR:ADJCchannelcount

9-3 :DISPlay Subsystem

This subsystem provides commands that modify the display of data for the user. They do not modify the way in which data are returned to the controller.

:DISPlay:WINDow:TRACe:Y[:SCALE]:OFFSet <rel ampl>

:DISPlay:WINDow:TRACe:Y[:SCALE]:OFFSet?

Title: Power Offset

Description: Sets the power offset value for the y-axis.

Parameter: <rel ampl>

Default Value: 0 dB

Default Unit: dB

Range: -100 dB to 100 dB

Front Panel Access: Amplitude, Power Offset

:DISPlay:WINDow:TRACe:Y[:SCALE]:PDIVision <rel ampl>

:DISPlay:WINDow:TRACe:Y[:SCALE]:PDIVision?

Title: Scale

Description: Sets the scale (dB/division) for the y-axis.

Parameter: <rel ampl>

Default Value: 10 dB/div

Default Unit: dB

Range: 1 dB to 15 dB

Front Panel Access: Amplitude, Scale

9-4 :FETCh Subsystem

This set of commands returns the most recent measurement data of the active measurement. They will not switch to another measurement.

To make a new measurement, use the INITiate command. To get new measurement data, use the READ or MEASure query commands.

:FETCh:DEMod:CDPData?

Title: Fetch Demodulator Code Domain Power Data

Description: Returns the most recent Code Domain Data measurement results.

Data is returned as 24 comma-delimited values: Slot Power in dBm, DwPTS Power in dBm, Channel Power RRC in dBm, Freq Error in Hz, Freq Error in PPM, EVM RMS percentage, EVM Peak in percentage, RMS Phase Error in percentage, Carrier Feed Through in dB, DwPTS EVM in percentage, DwPTS PCDE in dB, CDP Noise Floor in dB, CDP Threshold hold in dB, Tau in nanoseconds, Sync DL Code in unitless number, Scrambling Code in unitless number, Max User in unitless number, Spread Factor in dB, Data Modulation Type (0 = Noise, 1 = QPSK, 2 = 8PSK, 3 = 16QAM), Scrambling Code 1 in dB, Scrambling Code 2 in dB, Scrambling Code 3 in dB, and Scrambling Code 4 in dB.

Related Command: :CONFigure:DEMod CDPData
:MEASure:DEMod:CDPData?
:READ:DEMod:CDPData?

Front Panel Access: Measurement, Demodulator, CDP Data

:FETCh:DEMod:SUMMary?

Title: Fetch Modulation Summary

Description: Returns the most recent Modulation Summary measurement results.

Data is returned as 9 comma-delimited values: Slot Power, EVM, Peak EVM, Frequency error, Frequency Error PPM, Tau, Noise Floor, Carrier Feed Through, Peak CDE. All invalid values are replaced with "--". Power units are in watt or dBm as per what is set by the user. Frequency is always in Hz.

Related Command: :CONFigure:DEMod SUMMary
:MEASure:DEMod:SUMMary?
:READ:DEMod:SUMMary?

Front Panel Access: Measurements, Demodulator, Modulation Summary

:FETCh:OTA?

Title: Fetch OTA Pilot Scan

Description: Returns the most recent Pilot Scan measurement results.

Data is returned as 2 comma-delimited values: DwPTS Power in dBm, and Pilot Dominance in dBm. All invalid values are replaced with "--".

Related Command: :CONFigure:OTA
:MEASure:OTA?
:READ:OTA?

Front Panel Access: Measurement, OTA, Pilot Scan

:FETCh:RF:EMISsion?

Title: Fetch RF Spurious Emission

Description: Returns the most recent Spurious Emission measurement result.

Data is returned as 3 comma-delimited values for Left Power, Center Power, and Right Power in dBm. They are followed by 8 comma-delimited values for each marker/boundary: Marker number, Marker Start Frequency in MHz, Marker Stop Frequency in MHz, Marker Peak Power Frequency in MHz, Marker Peak Power in dBm, Marker Power Margin in dB, RBW in MHz, and Pass/Fail.

Related Command: :CONFIgure:RF EMISsion
:MEASure:RF:EMISsion?
:READ:RF:EMISsion?

Front Panel Access: Measurement, RF, Spurious Emission

:FETCh:RF:SPECTrum?

Title: Fetch RF Spectrum

Description: Returns the most recent RF Channel Spectrum measurement results.

Data is returned as 6 comma-delimited values: Channel Power in dBm, Occupied Bandwidth in Hz, Left Channel Power in dBm, Left Channel Occupied Bandwidth in Hz, Right Channel Power in dBm and Right Channel Occupied Bandwidth in Hz.

Related Command: :CONFIgure:RF SPECTrum
:MEASure:RF:SPECTrum?
:READ:RF:SPECTrum?

Front Panel Access: Measurement, RF, Channel Spectrum

:FETCh:RF:SUMMary?

Title: Fetch RF Summary

Description: Returns the most recent RF Summary measurement results.

Data is returned as 11 comma-delimited values: Channel Power, Channel Power RRC, Occupied Bandwidth, DwPTS Power, UpPTS Power, ON/OFF Ratio, Slot PAR, Left Channel Power, Right Channel Power, Left Channel Occupied Bandwidth, Right Channel Occupied Bandwidth. All invalid values are replaced with "--". Power units are in watt or dBm as per what is set by the user. Frequency is always in Hz.

Related Command: :CONFIgure:RF SUMMary
:MEASure:RF:SUMMary?
:READ:RF:SUMMary?

Front Panel Access: Measurements, RF, RF Summary

9-5 :FORMat Subsystem

This subsystem contains commands that determine the formatting of numeric data when it is transferred.

The format setting affects data in specific commands only. If a command is affected, it is noted in the command description.

:FORMat[:READings][:DATA] ASCii|INTeger,32|REAL,32
:FORMat[:READings][:DATA]?

Title: Numeric Data Format

Description: This command specifies the format in which data is returned in certain commands.

ASCii format returns the data in comma-separated ASCII format. The units are the current instrument units. This format requires many more bytes so it is the slowest format. INTeger,32 values are signed 32-bit integers in little-endian byte order. This format returns the data in 4-byte blocks. (WCDMA and Cable & Antenna only: The units are always mdBm. For example, if the measured result was -12.345 dBm, that value would be sent as -12345.) REAL,32 values are 32-bit floating point numbers conforming to the IEEE 754 standard in little-endian byte order. This format returns the data in 4-byte binary format. The units are the current instrument units.

Both INTeger,32 and REAL,32 formats return a definite block length. Each transfer begins with an ASCII header such as #42204. The first digit represents the number of following digits in the header (in this example, 4). The remainder of the header indicates the number of bytes that follow the header (in this example, 2204). You then divide the number of following bytes by the number of bytes in the data format you've chosen (4 for both INTeger,32 and REAL,32) so 2204/4) to get the number of data points (in this example, 551).

Parameter: ASCii|INTeger,32|REAL,32

Parameter Type: <char>

Default Value: ASCii

Related Command: :TRACe[:DATA]

9-6 :INITiate Subsystem

This subsystem controls the triggering of measurements.

:INITiate:CONTinuous OFF|ON|0|1

:INITiate:CONTinuous?

Title: Continuous/Single Sweep

Description: Specifies whether the sweep/measurement is triggered continuously. If the value is set to ON or 1, another sweep/measurement is triggered as soon as the current one completes. If continuous is set to OFF or 0, the instrument enters the “idle” state and waits for the :INITiate[:IMMediate] command or for :INITiate:CONTinuous ON. The default value is ON. That is, sending :INIT:CONT is equivalent to sending :INIT:CONT ON. The query version of the command returns a 1 if the instrument is continuously sweeping/measuring and returns a 0 if the instrument is in single sweep/measurement mode. Note that rapid toggling between ON and OFF is not allowed. The instrument must be allowed to make a full sweep before toggling can be done. Note that the set command is available only if the instrument is in Cable & Antenna mode.

Parameter: OFF|ON|0|1

Parameter Type: <boolean>

Default Value: ON

Related Command: :INITiate[:IMMediate]
:INITiate:HOLD

Front Panel Access: Shift-3 (Sweep), Sweep (Single/Continuous)

:INITiate[:IMMediate]

Title: Trigger Sweep/Measurement

Description: Initiates a sweep/measurement. If :INITiate:CONTinuous is set to ON, this command is ignored. Use this command in combination with :STATus:OPERation? to synchronize the capture of one complete set of data. When this command is sent, the “sweep complete” bit of :STATus:OPERation? is set to 0, indicating that the measurement has not completed. The data collection is then triggered. The controlling program can poll :STATus:OPERation? to determine the status. When the “sweep complete” bit is set to 1, data is ready to be retrieved.

Related Command: :INITiate:CONTinuous
:STATus:OPERation?

Front Panel Access: Shift-3 (Sweep), Trigger Sweep

9-7 :MEASure Subsystem

These commands take the instrument from its current state, enable the specified measurement and put the instrument into single sweep mode. They correct any parameters that are invalid given the new measurement state such that a valid measurement can take place. Other settings may be changed; see the documentation of CONFigure for each measurement. They then initiate the measurement. When the measurement is complete, they return the result.

To make a measurement with settings other than the “default” measurement settings applied by CONFigure, do the following:

- Send the appropriate CONFigure command to set the desired measurement.
- Modify the settings as required.
- Send the appropriate READ command to measure and return the result.

To get the current measurement data, use the appropriate FETCh command.

:MEASure:DEMod:CDPData?

Title: Measure Demodulator Code Domain Power Data

Description: Sets the active measurement to Code Domain Data, sets the default measurement parameters, triggers a new measurement and returns the Slot Power, DwPTS Power, Channel Power RRC, Frequency Error in Hz, Frequency Error in PPM, EVM RMS, EVM Peak, RMS Phase Error, Carrier Feed Through, DwPTS EVM, DwPTS PCDE, CDP Noise Floor, CDP Threshold, Tau, Selected Slot, Sync DL Code, Scrambling Code, Max Users, Spread Factor, Data Modulation Type, Scrambling Code 1, Scrambling Code 2, Scrambling Code 3, and Scrambling Code 4 measurement results. It is a combination of the following commands :CONFigure:DEMod CDPData; :READ:DEMod:CDPData? To make a CDP Data measurement with settings other than the default values send:

```
:CONFigure:DEMod CDPData
```

Commands to set desired settings

```
:READ:DEMod:CDPData?
```

Data is returned as 24 comma-delimited values: Slot Power in dBm, DwPTS Power in dBm, Channel Power RRC in dBm, Freq Error in Hz, Freq Error in PPM, EVM RMS percentage, EVM Peak in percentage, RMS Phase Error in percentage, Carrier Feed Through in dB, DwPTS EVM in percentage, DwPTS PCDE in dB, CDP Noise Floor in dB, CDP Threshold hold in dB, Tau in nanoseconds, Sync DL Code in unitless number, Scrambling Code in unitless number, Max User in unitless number, Spread Factor in dB, Data Modulation Type (0 = Noise, 1 = QPSK, 2 = 8PSK, 3 = 16QAM), Scrambling Code 1 in dB, Scrambling Code 2 in dB, Scrambling Code 3 in dB, and Scrambling Code 4 in dB. All invalid values are replaced with “-”.

Related Command: :CONFigure:DEMod CDPData

```
:READ:DEMod:CDPData?
```

```
:FETCh:DEMod:CDPData?
```

Front Panel Access: Measurement, Demodulator, CDP Data

:MEASure:DEMod:SUMMary?

Title: Measure Modulation Summary

Description: Sets the active measurement to Modulation Summary, sets the default measurement parameters, triggers a new measurement and returns Slot Power, EVM, Peak EVM, Frequency error, Frequency Error PPM, Tau, Noise Floor, Carrier Feed Through, Peak CDE. It is a combination of the following commands :CONFigure:DEMod SUMMary; :READ:DEMod:SUMMary?

To make a Demodulator Summary measurement with settings other than the default values send: :CONFigure:DEMod SUMMary Commands to set desired settings :READ:DEMod:SUMMary?

Data is returned as 9 comma-delimited values: Slot Power, EVM, Peak EVM, Frequency error, Frequency Error PPM, Tau, Noise Floor, Carrier Feed Through, Peak CDE. All invalid values are replaced with "--". Power units are in watt or dBm as per what is set by the user. Frequency is always in Hz.

Related Command: :CONFigure:DEMod SUMMary
:READ:DEMod:SUMMary?
:FETCh:DEMod:SUMMary?

Front Panel Access: Measurements, Demodulator, Modulation Summary

:MEASure:OTA?

Title: Measure OTA Pilot Scan

Description: Sets the active measurement to Pilot Scan, sets the default measurement parameters, triggers a new measurement and returns DwPTS Power and Pilot Dominance. It is a combination of the following commands :CONFigure:OTA PSCAn; :READ:OTA? To make an OTA Pilot Scan measurement with settings other than the default values send:

:CONFigure:OTA
Commands to set desired settings
:READ:OTA?

Data is returned as 2 comma-delimited values: DwPTS Power in dBm, and Pilot Dominance in dBm. All invalid values are replaced with "--".

Related Command: :CONFigure:OTA
:READ:OTA?
:FETCh:OTA?

Front Panel Access: Measurement, OTA, Pilot Scan

:MEASure:RF:EMISsion?

Title: Measure RF Spurious Emission

Description: Sets the active measurement to Spurious Emission, sets the default measurement parameters, triggers a new measurement and returns the Left Power, Center Power, Right Power, followed by Marker Number, Marker Start Frequency, Marker Stop Frequency, Marker Peak Power Frequency, Marker Peak Power, Marker Power Margin, Marker RBW, Marker's Pass/Fail Status for all markers/boundaries. It is a combination of the following commands :CONFigure:RF EMISsion; :READ:RF:EMISsion? To make an RF Spurious Emission measurement with settings other than the default values send:

:CONFigure:RF EMISsion

Commands to set desired settings

:READ:RF:EMISsion?

Data is returned as 3 comma-delimited values for Left Power, Center Power, and Right Power in dBm. They are followed by 8 comma-delimited values for each marker/boundary: Marker number, Marker Start Frequency in MHz, Marker Stop Frequency in MHz, Marker Peak Power Frequency in MHz, Marker Peak Power in dBm, Marker Power Margin in dB, RBW in MHz, and Pass/Fail.

Related Command: :CONFigure:RF EMISsion
:READ:RF:EMISsion?
:FETCh:RF:EMISsion?

Front Panel Access: Measurement, RF, Spurious Emission

:MEASure:RF:SPECTrum?

Title: Measure RF Spectrum

Description: Sets the active measurement to Channel Spectrum, sets the default measurement parameters, triggers a new measurement and returns the Channel Power, Occupied Bandwidth, Left Channel Power, Left Channel Occupied Bandwidth, Right Channel Power and Right Channel Occupied Bandwidth measurement results. It is a combination of the following commands :CONFigure:RF SPECTrum; :READ:RF:SPECTrum?

To make an RF Spectrum measurement with settings other than the default values send:

:CONFigure:RF SPECTrum

Commands to set desired settings

:READ:RF:SPECTrum?

Data is returned as 2 comma-delimited values: Channel Power in dBm, and Occupied bandwidth in Hz.

Related Command: :CONFigure:RF SPECTrum
:READ:RF:SPECTrum?
:FETCh:RF:SPECTrum?

Front Panel Access: Measurement, RF, Channel Spectrum

:MEASure:RF:SUMMary?

Title: Measure RF Summary

Description: Sets the active measurement to RF Summary, sets the default measurement parameters, triggers a new measurement and returns Channel Power, Channel Power RRC, Occupied Bandwidth, DwPTS Power, UpPTS Power, ON/OFF Ratio, Slot PAR, Left Channel Power, Right Channel Power, Left Channel Occupied Bandwidth, Right Channel Occupied Bandwidth. It is a combination of the following commands :CONFigure:RF SUMMary; :READ:RF:SUMMary?

To make a RF Summary measurement with settings other than the default values send: :CONFigure:RF SUMMary Commands to set desired settings :READ:RF:SUMMary?

Data is returned as 11 comma-delimited values: Channel Power, Channel Power RRC, Occupied Bandwidth, DwPTS Power, UpPTS Power, ON/OFF Ratio, Slot PAR, Left Channel Power, Right Channel Power, Left Channel Occupied Bandwidth, Right Channel Occupied Bandwidth. All invalid values are replaced with "--". Power units are in watt or dBm as per what is set by the user. Frequency is always in Hz.

Related Command: :CONFigure:RF SUMMary
:READ:RF:SUMMary?
:FETCh:RF:SUMMary?

Front Panel Access: Measurements, RF, RF Summary

9-8 :READ Subsystem

This set of commands combines the ABORT, INITiate and FETCh commands. It aborts any current triggering sequence and sets the trigger state to idle. It then initiates a new active measurement (i.e. begins the collection of new data). When the measurement is complete, it returns the result. These commands will not switch to another measurement.

To get the current measurement data, use the FETCh command.

:READ:DEMod:CDPData?

Title: Read Demodulator Code Domain Data

Description: Triggers a new measurement and returns the Slot Power, DwPTS Power, Channel Power RRC, Frequency Error in Hz, Frequency Error in PPM, EVM RMS, EVM Peak, RMS Phase Error, Carrier Feed Through, DwPTS EVM, DwPTS PCDE, CDP Noise Floor, CDP Threshold, Tau, Selected Slot, Sync DL Code, Scrambling Code, Max Users, Spread Factor, Data Modulation Type, Scrambling Code 1, Scrambling Code 2, Scrambling Code 3, and Scrambling Code 4 measurement results. It is a combination of the following commands :ABORT; :INITiate; :FETCh:DEMod:CDPData?

In order for the data to be accurate, the Code Domain Power measurement must be the active measurement (specified by :CONFigure:DEMod CDPData. The current measurement can be queried using :CONFigure?

Data is returned as 24 comma-delimited values: Slot Power in dBm, DwPTS Power in dBm, Channel Power RRC in dBm, Freq Error in Hz, Freq Error in PPM, EVM RMS percentage, EVM Peak in percentage, RMS Phase Error in percentage, Carrier Feed Through in dB, DwPTS EVM in percentage, DwPTS PCDE in dB, CDP Noise Floor in dB, CDP Threshold hold in dB, Tau in nanoseconds, Sync DL Code in unitless number, Scrambling Code in unitless number, Max User in unitless number, Spread Factor in dB, Data Modulation Type (0 = Noise, 1 = QPSK, 2 = 8PSK, 3 = 16QAM), Scrambling Code 1 in dB, Scrambling Code 2 in dB, Scrambling Code 3 in dB, and Scrambling Code 4 in dB. All invalid values are replaced with "--".

Related Command: :CONFigure:DEMod CDPData
:MEASure:DEMod:CDPData?
:FETCh:DEMod:CDPData?

Front Panel Access: Measurement, Demodulator, CDP Data

:READ:DEMod:SUMMary?

Title: Read Modulation Summary

Description: Triggers a new RF Summary measurement and returns the results. It is combination of the commands :ABORT; :INITiate; FETCh:DEMod:SUMMary? The current measurement can be queried using :CONFigure?

Data is returned as 9 comma-delimited values: Slot Power, EVM, Peak EVM, Frequency error, Frequency Error PPM, Tau, Noise Floor, Carrier Feed Through, Peak CDE. All invalid values are replaced with "--". Power units are in watt or dBm as per what is set by the user. Frequency is always in Hz.

Related Command: :CONFigure:DEMod SUMMary
:READ:DEMod:SUMMary?
:FETCh:DEMod:SUMMary?

Front Panel Access: Measurements, Demodulator, Modulation Summary

:READ:OTA?

Title: Read OTA Pilot Scan

Description: Sets the active measurement to Pilot Scan, sets the default measurement parameters, triggers a new measurement and returns DwPTS Power and Pilot Dominance. It is a combination of the following commands :ABORT; :INITiate; :FETCh:OTA? In order for the data to be accurate, the Pilot Scan must be the active measurement (specified by :CONFigure:OTA. The current measurement can be queried using :CONFigure?

Data is returned as 2 comma-delimited values: DwPTS Power in dBm, and Pilot Dominance in dBm. All invalid values are replaced with "--".

Related Command: :CONFigure:OTA
:MEASure:OTA?
:FETCh:OTA?

Front Panel Access: Measurement, OTA, Pilot Scan

:READ:RF:EMISSion?

Title: Read RF Spurious Emission

Description: Triggers a new measurement and returns the Left Power, Center Power, Right Power, followed by Marker Number, Marker Start Frequency, Marker Stop Frequency, Marker Peak Power Frequency, Marker Peak Power, Marker Power Margin, Marker RBW, Marker's Pass/Fail Status for all markers/boundaries markers/boundaries. It is a combination of the following commands :ABORT; :INITiate; :FETCh:RF:EMISSion? In order for the data to be accurate, the Spurious Emission measurement must be the active measurement (specified by :CONFigure:RF EMISSion. The current measurement can be queried using :CONFigure?

Data is returned as 3 comma-delimited values for Left Power, Center Power, and Right Power in dBm. They are followed by 8 comma-delimited values for each marker/boundary: Marker number, Marker Start Frequency in MHz, Marker Stop Frequency in MHz, Marker Peak Power Frequency in MHz, Marker Peak Power in dBm, Marker Power Margin in dB, RBW in MHz, and Pass/Fail.

Related Command: :CONFigure:RF EMISSion
:MEASure:RF:EMISSion?
:FETCh:RF:EMISSion?

Front Panel Access: Measurement, RF, Spurious Emission

:READ:RF:PVTSlot?

Title: Read Power vs. Time

Description: Triggers a new measurement and returns the Channel Power RRC, Sync Download Power, Sync Upload Power, On Off Ratio, Peak Average Ratio, Dw Up Delta, Slot 1 Power, Slot 2 Power, Slot 3 Power, Slot 4 Power, Slot 5 Power, Slot 6 Power, and Slot 7 Power. It is a combination of the following commands **CONFigure:RF PVTSlot**; **:READ:RF:PVTSlot?** To make an RF ACPR measurement with settings other than the default values send:

:CONFigure:RF PVTSlot

Commands to set desired settings

:READ:RF:PVTSlot?

Data is returned as 13 comma-delimited values: The Channel Power RRC in dBm, Sync Download Power in dBm, Sync Upload Power in dBm, On Off Ratio in dB, Peak Average Ratio in dB, Dw Up Delta in dB, Slot 1 to 7 Power in dBm.

Related Command: **:CONFigure:RF PVTSlot**
:MEASure:RF:PVTSlot?
:FETCh:RF:PVTSlot?

:READ:RF:SPECTrum?

Title: Read RF Spectrum

Description: Triggers a new measurement and returns the Channel Power, Occupied Bandwidth, Left Channel Power, Left Channel Occupied Bandwidth, Right Channel Power and Right Channel Occupied Bandwidth measurement results. It is a combination of the following commands :ABORT; :INITiate; :FETCh:RF:SPECTrum? In order for the data to be accurate, the Channel Spectrum measurement must be the active measurement (specified by :CONFigure:RF SPECTrum). The current measurement can be queried using :CONFigure?

Data is returned as 2 comma-delimited values: Channel Power in dBm, and Occupied bandwidth in Hz.

Default Value: 42

Related Command: :FETCh:RF:SPECTrum?
:CONFigure:RF SPECTrum
:MEASure:RF:SPECTrum?

Front Panel Access: Measurement, RF, Channel Spectrum

:READ:RF:SUMMary?

Title: Read RF Summary

Description: Triggers a new RF Summary measurement and returns the results. It is combination of the commands :ABORT; :INITiate; FETCh:RF:SUMMary? The current measurement can be queried using :CONFigure?

Data is returned as 11 comma-delimited values: Channel Power, Channel Power RRC, Occupied Bandwidth, DwPTS Power, UpPTS Power, ON/OFF Ratio, Slot PAR, Left Channel Power, Right Channel Power, Left Channel Occupied Bandwidth, Right Channel Occupied Bandwidth. All invalid values are replaced with "--". Power units are in watt or dBm as per what is set by the user. Frequency is always in Hz.

Related Command: :CONFigure:RF SUMMary
:READ:RF:SUMMary?
:FETCh:RF:SUMMary?

Front Panel Access: Measurements, RF, RF Summary

9-9 :TRACe Subsystem

This subsystem contains commands related to the transfer of trace data to and from the instrument.

:TRACe:PREamble? <trace type>

Title: Trace Header Transfer

Description: Returns trace header information for the specified trace. The <trace type> must be one of the following: SPECTrum | EMISsion | DEMod | OTA | PVTSlot.

Data can be transferred to and from the 5 available display trace types. Use the commands in the MMEMory subsystem to store and recall traces from the instrument memory. The response begins with an ASCII header. The header specifies the number of following bytes. It looks like #AX, where A is the number of digits in X and X is the number of bytes that follow the header. Parameters are returned in comma-delimited ASCII format. Each parameter is returned as "NAME=VALUE[UNITS]," Valid parameter names are shown in "[TDSCDMA Parameter Names](#)" on page 2-30.

Parameter: <trace type>

Related Command: :TRACe:DATA?

:TRACe[:DATA]? <trace type>

Title: Trace Data Transfer

Description: This command transfers trace data from the instrument to the controller. The trace type must be one of the following: SPECTrum | EMISsion | DEMod | OTA | PVTSlot.

The format of the block data in the query form is specified by :FORMAt:DATA. The block data in the command form is always sent in ASCII format. The response begins with an ASCII header that specifies the number of data bytes. It looks like #AX, where A is the number of digits in X and X is the number of bytes that follow the header. Each data point is separated by a comma delimiter. Trace setup information can be acquired using :TRACe[:DATA]:PREAmble?. Use the commands in the MMEMory subsystem to store and recall traces from the instrument memory.

The RF measurements Power vs. Time and Channel Spectrum both only have one value per data point that is returned in dBm. Each value is 4 bytes.

For the RF Spurious Emission measurement, each data point will have two values. The first value is the wave data, while the second value is the mask data. Both values are four bytes and returned in dBm. Note that the second value, which is the mask, may contain default value 300 dBm. This is to signify the mask for the frequency point isn't valid and out of range.

The Demodulator Code Domain Power measurement has six values per data point. The first value is the point number, which has no unit. The second value is the relative power returned in dB of I data. The third value is the absolute power returned in dBm of I data. The fourth value is the relative power returned in dB of Q data. The fifth value is the absolute power returned in dBm of Q data. The fourth value is the type, which is defined in the following table.

Return Value	Signal Type	Color
0	Inactive	Grey
1	QPSK	Orange
2	8PSK	Purple
3	16QAM	Brown

All values are four bytes each.

Over the Air (OTA) measurements will have three values per data point. The first value is the type, which can be 0 (Noise, Grey), 1 (Primary, Blue), and 2 (Secondary, Red), or. The second value is the Ec/Io returned in dB. The third value is Tau returned in s. All three values are the same and are 4 bytes each.

Note that the instrument must be set in the selected view. Use the CONFigure command to set the unit to the selected view.

Parameter: <trace type>

Related Command: :FORMAt[:DATA]
:TRACe[:DATA]:PREAmble?

9-10 :TRIGger Subsystem

This subsystem contains commands related to the triggering of instrument functions for the purposes of synchronization. Related commands appear in the ABORT and INITiate subsystems.

:TRIGger:SEQuence:SLOPe RISing|FALLing

:TRIGger:SEQuence:SLOPe?

Title: External Trigger Polarity

Description: This command sets the external trigger polarity. Note that this setting can only be changed when the PN Type is set to "EXT".

Parameter: RISing|FALLing

Parameter Type: <char>

Default Value: RISing

Default Unit: NA

Range: RISing, FALLing

Related Command: [:SENSe]:PN:TRIGger
[:SENSe]:PN:TRIGger?

Front Panel Access: Setup, Ext Trigger Polarity

9-11 :UNIT Subsystem

The unit subsystem is used to modify the default units used for related parameters. These changes affect parameters in both commands and responses.

:UNIT:POWER DBM|W

:UNIT:POWER?

Title: Measurement Units

Description: Sets the default amplitude units for input, output and display.

Parameter: DBM|W

Parameter Type: <char>

Default Value: dBm

Front Panel Access: Amplitude, Units, Unit of Measure

9-12 [[:SENSe] Subsystem

The commands in this subsystem relate to device-specific parameters, not signal-oriented parameters.

[[:SENSe]:DEMod:CDPData:UNITs RELative|ABSolute

[[:SENSe]:DEMod:CDPData:UNITs?

Title: Code Domain Data Unit Type

Description: Sets the Code Domain Power unit type. The query form returns either a "REL" for relative units, or an "ABS" for absolute units in Ascii (without the double quotes).

Default Value: RELative

Range: RELative, ABSolute

Front Panel Access: Measurement, Demodulator, CDP Data, CDP Units

[[:SENSe]:DEMod:MODType Auto|QPSK|8PSK|16QAM

[[:SENSe]:DEMod:MODType?

Title: Modulation Type

Description: This command sets the Data Slot Modulation Type. Options are: auto-detection, assumed QPSK, assumed 8PSK, assumed 16QAM. The query version of this command returns the current setting.

Default Value: Auto

Range: Auto|QPSK|8PSK|16QAM

Front Panel Access: Setup, More, Modulation Type

[[:SENSe]:DEMod:MUSer Auto|2-16 (even)

[[:SENSe]:DEMod:MUSer?

Title: Max Users

Description: Sets the Walsh codes.

Default Value: Auto (0)

Range: Auto|2 to 16 (even numbers only)

Front Panel Access: Setup, Max Users

[[:SENSe]:DEMod:SCRamblingcode Auto|0-127

[[:SENSe]:DEMod:SCRamblingcode?

Title: Scrambling Code

Description: This command sets the Scrambling/Midamble Code of downlink data slot to be demodulated.

Default Value: Auto (128)

Range: Auto|0 to 127

Front Panel Access: Setup, Scrambling Midamble Code

[:SENSe]:DEMod:SPRFactor Auto|16|1

[:SENSe]:DEMod:SPRFactor?

Title: Spread Factor

Description: This command sets the spreading factor of the downlink data slot to be demodulated.

Default Value: Auto

Range: Auto|16|1

Front Panel Access: Setup, More, Spreading Factor

[:SENSe]:DWPTs Auto|On|Off

[:SENSe]:DWPTs?

Title: DwPTS

Description: This command sets the Downlink Pilot Time Slot. Options are: auto-detection, assumed ON or assumed OFF.

The query form of this command will returns the current setting.

Default Value: Auto

Range: Auto|On|Off

Front Panel Access: Setup, More, DwPTS

[:SENSe]:FREQUENCY:CENTer <freq>

[:SENSe]:FREQUENCY:CENTer?

Title: Center Frequency

Description: Sets the center frequency. Note that changing the value of the center frequency will change the value of the coupled parameters Start Frequency and Stop Frequency. It may also change the value of the span. Note that the set command is available only if the instrument is in Cable & Antenna mode.

Parameter: <freq>

Default Value: 2.01 GHz

Default Unit: Hz

Range: 1 MHz to 2.7 GHz

Front Panel Access: Freq, Center Freq

[:SENSe]:FREQUENCY:SIGStandard <index>

[:SENSe]:FREQUENCY:SIGStandard?

Title: Signal Standard

Description: Selects the desired signal standard from the list. The <index> argument is a 1-based index of the position of the desired signal standard in the instrument's current signal standard list. The list can be seen on the instrument by choosing the "Signal Standard" soft-key button in the "Frequency" menu. The list can also be downloaded remotely and viewed using Anritsu Master Software Tools. For example, if the desired Signal Standard is the 3rd item on the list then the value of the <index> argument would be 3.

The query form of this command will return the index of the currently-selected Signal Standard on the list.

Parameter: <index>

Front Panel Access: Frequency, Signal Standard

[:SENSe]:FREQuency:SIGStandard:CHANnel <number>

[:SENSe]:FREQuency:SIGStandard:CHANnel?

Title: Channel Selection

Description: Sets the channel number for the selected signal standard.

Parameter: <number>

Front Panel Access: Frequency, Channel

[:SENSe]:NUMCarriers 1|3

[:SENSe]:NUMCarriers?

Title: Number of Carriers

Description: This command sets the number of main/center TD-SCDMA carriers, for multicarrier configuration. The query version returns the current setting.

Default Value: 1

Range: 1|3

Front Panel Access: Setup, More, Number of Carriers

[:SENSe]:PFail <test set>

[:SENSe]:PFail?

Title: PASS/FAIL Test Selection

Description: Selects the active test set to be used in subsequent PASS/FAIL measurements. The <test set> value must correspond to a test set that is defined in the test set list. To view the list on the instrument, go into the "Measurement" menu, press the "Pass/Fail Mode" key, and then press the "Select Pass/Fail Test" soft key. Alternatively, the list can be retrieved remotely and viewed using the Anritsu Master Software Tools. The <test set> argument is a 1-based index of the position of the desired Pass/Fail test set in the instrument's current Pass/Fail test set list. For example, if the desired Pass/Fail test is the 3rd item on the list then the value of the <test set> argument would be 3.

When using the query form of the command, the return value is the currently selected test set number. If there is not a valid test set selected, the return value is "-1" (negative 1).

Parameter: <test set>

Related Command: :CONFigure:PFail

Front Panel Access: Measurement, Pass Fail Mode, Select Pass/Fail Test

[:SENSe]:POWer[:RF]:RANGe:AUTO OFF|ON|0|1

[:SENSe]:POWer[:RF]:RANGe:AUTO?

Title: Automatic Amplitude Range

Description: Sets the automatic amplitude range. Setting the value to ON or 1 will result in the amplitude range being coupled to the detected input signal level. Setting the value to OFF or 0 will result in the input attenuation being un-coupled from the input signal level. That is, changing the input signal level will not change the amplitude range. When this command is issued, the amplitude range itself will not change. The default value is ON. That is, sending :SENS:POW:RANG:AUTO is equivalent to sending :SENS:POW:RANG:AUTO ON.

Parameter: OFF|ON|0|1

Parameter Type: <boolean>

Default Value: ON

Related Command: [:SENSe]:POWer[:RF]:RANGe

Front Panel Access: Amplitude, Auto Range

[:SENSe]:POWer[:RF]:RANGe[:IMMediate]

Title: Amplitude Range

Description: Re-calculates amplitude range. Note that issuing this command will set the automatic dynamic range OFF.

Related Command: [:SENSe]:POWer[:RF]:RANGe:AUTO

Front Panel Access: Amplitude, Adjust Range

[:SENSe]:RF:SPECTrum:SPAN 5|10|20|30

[:SENSe]:RF:SPECTrum:SPAN?

Title: Spectrum View Span

Description: Sets the span for the Spectrum view. Setting the value to 5 will set the span for the Spectrum view to 5 MHz. Setting the value to 10 will set the span for the Spectrum view to 10 MHz. Setting the value to 20 will set the span for the Spectrum view to 20MHz. Setting the value to 30 will set the span for the Spectrum view to 30MHz.

Parameter: 5|10|20|30

Default Value: 5 MHz

Default Unit: MHz

Front Panel Access: Measurement, RF, Spectrum, Span

[:SENSe]:SLOTselection Auto|0-6

[:SENSe]:SLOTselection?

Title: Slot Selection

Description: Sets the Walsh codes.

Default Value: Auto (7)

Range: Auto, 0 to 6

Front Panel Access: Setup, Slot Selection

[:SENSe] :SWEep :SPEed FAST|NORM|SLOW

[:SENSe] :SWEep :SPEed?

Title: Measurement Speed

Description: Sets the measurement speed. The query form returns either "FAST", "NORM", or "SLOW" in Ascii (without the double quotes).

Parameter: FAST|NORM|SLOW

Parameter Type: <char>

Default Value: Norm

Range: FAST, NORM, SLOW

Front Panel Access: Setup, Meas Speed

[:SENSe] :SYDLcode Auto|0-31

[:SENSe] :SYDLcode?

Title: Sync-DL Code

Description: This command sets the Sync-DL code of the Downlink Pilot Time Slot used in subframe sync.

Default Value: Auto (32)

Range: Auto, 0 to 31

Front Panel Access: Setup, SYNC-DL Code

[:SENSe] :TAU:OFFSet <integer>

[:SENSe] :TAU:OFFSet?

Title: Tau Offset

Description: Sets the Tau offset in microsecond.

Default Value: 0

Range: -5000000 to 5000000

Front Panel Access: Setup, Trigger, Tau Offset

[:SENSe] :TRIGger NOTRig|GPS|EXT

[:SENSe] :TRIGger?

Title: External Trigger

Description: Sets the external trigger. The query form returns either "NOTRIG", "GPS", or "EXT" in Ascii (without the double quotes).

Default Value: No Trig

Range: NOTRig, GPS, EXT

Front Panel Access: Setup, Trigger, Trigger Type

[:SENSe]:ULSwitchpoint 0-6

[:SENSe]:ULSwitchpoint?

Title: Uplink Switch Point

Description: Index of the the last downlink slot in the subframe.

Default Value: 3

Range: 0 to 6

Front Panel Access: Setup, Uplink Switch Point

Chapter 10 — CDMA Commands

10-1 :ABORt Subsystem

The abort subsystem includes commands that allow the user to stop current measurement activities on the instrument.

:ABORt

Title: Abort

Description: Restarts the current sweep and/or measurement. Resets the trigger system. If :INITiate:CONTinuous is OFF (i.e. the instrument is in single sweep mode), send the command :INITiate[:IMMediate] to trigger the next sweep. If :INITiate:CONTinuous is ON (i.e. the instrument is in continuous sweep mode) a new sweep will start immediately.

Parameter: NA

Related Command: :INITiate:CONTinuous
:INITiate[:IMMediate]

Front Panel Access: Shift-3 (Sweep), Reset Sweep

10-2 :CALCulate Subsystem

The commands in this subsystem process data that has been collected via the SENSE subsystem.

:CALCulate:MARKer:AOff

Title: Turn All Markers Off

Description: Turns off all markers.

Front Panel Access: Marker, All Markers Off

:CALCulate:MARKer{1|2|3|4|5|6}:Y?

Title: Marker Read Y Value

Description: Reads the current Y value for the specified marker. The units are the units of the y-axis.

Default Unit: Current y-axis unit

:CALCulate:MARKer{1|2|3|4|5|6}[:STATe] OFF|ON|0|1

:CALCulate:MARKer{1|2|3|4|5|6}[:STATe]?

Title: Marker State

Description: Sets the specified marker on/off.

Parameter: OFF|ON|0|1

Parameter Type: <boolean>

Default Value: OFF

Example: To turn off reference marker #1:

```
:CALCulate:MARKer1:STATe OFF
```

Front Panel Access: Marker, On/Off

10-3 :CONFigure Subsystem

This set of commands prepares the instrument for the selected measurement. It disables any currently-enabled measurements and activates the specified measurement. It sets the instrument to single sweep mode, waiting for an :INITiate command. It will not initiate the taking of a measurement.

Current instrument settings may be changed to default values. These changes are identified with their respective measurement commands.

:CONFigure SUMMary|PFail

Title: Configure Summary and Pass/Fail Measurements

Description: This command configures the summary and PASS/FAIL measurements. It disables any other active measurements. None of the instrument parameters are changed by the execution of this command. Sets the instrument to single sweep mode (:INITiate:CONTinuous OFF). Measurement settings can be modified by using the [:SENSe] commands before initiating a measurement.

Parameter: SUMMary|PFail

Parameter Type: <char>

Front Panel Access: Shift-4 (Measurement) , CDMA Summary or Pass/Fail Mode

:CONFigure:DEMod <char>

Title: Configure Demodulation Measurement

Description: Valid <char> parameter options: SUMMary|CDPower|CDPTable

This command configures the selected demodulation measurement. It disables any other active measurements. Sets the instrument to single sweep mode (:INITiate:CONTinuous OFF). Measurement settings can be modified by using the [:SENSe]:DEMod commands before initiating a measurement.

When the SUMMARY option is selected, the measurement results are equivalent to the results that are displayed by choosing Measurements, then Demodulator, then Modulation Summary from the front panel. When the CDPower option is selected, the measurement results are equivalent to the results that are displayed by choosing Measurements, then Demodulator, then CDP from the front panel. When the CDPTable option is selected, the measurement results are equivalent to the results that are displayed by choosing Measurements, then Demodulator, then CDP Table from the front panel.

Parameter: <char>

Front Panel Access: Shift-4 (Measurement), Demodulator

:CONFigure:OTA <char>

Title: Configure Over-The-Air Measurement

Description: Valid parameter options: PSCAn|MPATH. This command configures the selected Over The Air measurement. It disables any other active measurements. Sets the instrument to single sweep mode (:INITiate:CONTinuous OFF). Measurement settings can be modified before initiating a measurement. When the PSCAn option is selected, the measurement results are equivalent to the results that are displayed by choosing Measurements, then OTA, then Pilot Scan from the front panel. When the MPATH option is selected, the measurement results are equivalent to the results that are displayed by choosing Measurements, then OTA, then Multipath from the front panel.

Parameter: <char>

:CONFigure:RF <char>

Title: Configure RF Measurement

Description: Valid parameter options: SUMMary | SPECTrum | ACPR | EMISsion

This command configures the selected RF measurement. It disables any other active measurements. Sets the instrument to single sweep mode (:INITiate:CONTinuous OFF). Measurement settings can be modified by using the [:SENSe]:RF commands before initiating a measurement.

When the SUMMary option is selected, the measurement results are equivalent to the results that are displayed by choosing Measurements, then RF, then RF Summary from the front panel. When the SPECTrum option is selected, the measurement results are equivalent to the results that are displayed by choosing Measurements, then RF, then Channel Spectrum from the front panel. When the ACPR option is selected, the measurement results are equivalent to the results that are displayed by choosing Measurements, then RF, then ACPR from the front panel. When the EMISsion option is selected, the measurement results are equivalent to the results that are displayed by choosing Measurements, then RF, then Spurious Emission from the front panel.

Parameter: <char>

Related Command: [:SENSe]:FREQuency
[:SENSe]:RF:ACLR:MAINchannelcount
[:SENSe]:RF:ACLR:ADJCchannelcount

10-4 :DISPlay Subsystem

This subsystem provides commands that modify the display of data for the user. They do not modify the way in which data are returned to the controller.

:DISPlay:WINDow:TRACe:Y[:SCALe]:OFFSet <rel ampl>
:DISPlay:WINDow:TRACe:Y[:SCALe]:OFFSet?

Title: Power Offset

Description: Sets the power offset value for the y-axis.

Parameter: <rel ampl>

Default Value: 0 dB

Default Unit: dB

Range: -100 dB to 100 dB

Front Panel Access: Amplitude, Power Offset

:DISPlay:WINDow:TRACe:Y[:SCALe]:PDIVision <rel ampl>
:DISPlay:WINDow:TRACe:Y[:SCALe]:PDIVision?

Title: Scale

Description: Sets the scale (dB/division) for the y-axis.

Parameter: <rel ampl>

Default Value: 10 dB/div

Default Unit: dB

Range: 1 dB to 15 dB

Front Panel Access: Amplitude, Scale

10-5 :FETCh Subsystem

This set of commands returns the most recent measurement data of the active measurement. They will not switch to another measurement.

To make a new measurement, use the INITiate command. To get new measurement data, use the READ or MEASure query commands.

:FETCh:DEMod:CDPower?

Title: Fetch Demodulated Channel Power

Description: Returns the most recent Code Domain Power measurement results.

Data is returned as 12 comma-delimited values: Pilot Power in the current user set unit (dBm/W/mW), Channel Power in the current user set unit (dBm/W/mW), Noise Floor in dB, Rho, Carrier Feed Through in dB, Tau in ps, RMS Phase Error in deg, Frequency Error in Hz, Frequency Error PPM, Page in dBm, Sync in dBm, and Q Page. All invalid values are replaced with "--".

Default Unit: dBm

Related Command: :CONFigure:DEMod CDPower
:MEASure:DEMod:CDPower?
:READ:DEMod:CDPower?

Front Panel Access: Measurement, Demodulator, CDP

:FETCh:OTA:MPATH?

Title: Fetch OTA Multipath

Description: Returns the most recent Multipath measurement results.

Data is returned as 14 comma-delimited values: six Ec/Io Values in dB, six Tau values in ps, Channel Power in the current user set unit (dBm/W/mW), and Multipath Power in dB. All invalid values are replaced with "--".

Related Command: :CONFigure:OTA MPATH
:MEASure:OTA:MPATH?
:READ:OTA:MPATH?

Front Panel Access: Measurement, OTA, Multipath

:FETCh:PFail?

Title: Fetch PASS/FAIL

Description: Returns the most recent PASS/FAIL measurement results. Measurement results are returned in a block of ASCII text in the format of <header><block>. The ASCII header specifies the number of data bytes. It looks like #AX, where A is the number of digits in X and X is the number of bytes in the <block>. The block consists of a set of records which indicate individual test results. Records are comma-separated. Each record follows the format <test ID>: <input1> <input2> <min> <max> <value1> <value2> <PASS/FAIL/OPTION NOT INSTALLED>. The <test ID> field indicates which test was performed to retrieve these results. The < input1> and < input2> fields indicate the test setup. The <min> and <max> fields indicate the minimum and maximum values against which <value1> and <value2> were compared to arrive at the final PASS/FAIL result. If the specified test is not available in the instrument, the <PASS/FAIL> field will indicate "option not available" instead of "pass" or "fail". All unused fields for a given test are represented by a double dash ("-"). To receive valid measurements, the Pass/Fail measurement must be the active. The current measurement can be queried using CONFigure?. Use the :CONFigure:PFail to set Pass/Fail as the active measurement.

Related Command: MEASure:PFail?
:CONFigure:PFail
READ:PFail?

:FETCh:RF:ACPR?

Title: Fetch Adjacent Channel Power Ratio

Description: Returns the most recent Adjacent Channel Power Ratio measurement results.

Data is returned as 9 comma-delimited values: The Absolute Adjacent Channel 1 Power, Absolute Adjacent Channel 2 Power, Absolute Main Channel 1 Power, Absolute Main Channel 2 Power, Absolute Main Channel 3 Power, Absolute Main Channel 4 Power, Absolute Main Channel 5 Power, Absolute Adjacent Channel 3 Power, Absolute Adjacent Channel 4 Power. All values are returned in dBm. Note that the values for all five main channel carriers are shown even if the number of carriers set on the instrument is below five.

Related Command: :CONFigure:RF ACPR
:MEASure:RF:ACPR?
:READ:RF:ACPR?

Front Panel Access: Measurement, RF, ACPR

:FETCh:RF:EMISSion?

Title: Fetch RF Spurious Emission

Description: Returns the most recent Spurious Emission measurement result. Data is returned as 5 comma-delimited values for each marker/boundary (40 values total): Marker Amplitude in dB, Marker Frequency in Hz, RBW in Hz, Pass/Fail, and Mask Boundary Frequency in Hz. Markers that are not on will return "-" for Marker Amplitude, Marker Frequency, RBW, and Pass/Fail. All Mask Boundary Frequencies will show normally.

Related Command: :CONFigure:RF EMISSion
:MEASure:RF:EMISSion?
:READ:RF:EMISSion?

Front Panel Access: Measurement, RF, Spurious Emission

:FETCh:RF:SPECTrum?

Title: Fetch RF Spectrum

Description: Returns the most recent RF Channel Spectrum measurement results.

Data is returned as 4 comma-delimited values: Channel Power in the current user set unit (dBm/W/mW), Occupied bandwidth in Hz, Channel Power in fW, and Peak to Average Power in dB.

Related Command: :CONFIgure:RF SPECTrum
:MEASure:RF:SPECTrum?
:READ:RF:SPECTrum?

Front Panel Access: Measurement, RF, Channel Spectrum

10-6 :FORMat Subsystem

This subsystem contains commands that determine the formatting of numeric data when it is transferred.

The format setting affects data in specific commands only. If a command is affected, it is noted in the command description.

:FORMat[:READings][:DATA] ASCii|INTeger,32|REAL,32
:FORMat[:READings][:DATA]?

Title: Numeric Data Format

Description: This command specifies the format in which data is returned in certain commands.

ASCii format returns the data in comma-separated ASCII format. The units are the current instrument units. This format requires many more bytes so it is the slowest format. INTeger 32 values are signed 32-bit integers in little-endian byte order. This format returns the data in 4-byte blocks.

Both INTeger,32 and REAL,32 formats return a definite block length. Each transfer begins with an ASCII header such as #42204. The first digit represents the number of following digits in the header (in this example, 4). The remainder of the header indicates the number of bytes that follow the header (in this example, 2204). You then divide the number of following bytes by the number of bytes in the data format you've chosen (4 for both INTeger,32 and REAL,32) so 2204/4 to get the number of data points (in this example, 551).

Parameter: ASCii|INTeger,32|REAL,32

Parameter Type: <char>

Default Value: ASCii

Related Command: :TRACe[:DATA]

10-7 :INITiate Subsystem

This subsystem controls the triggering of measurements.

:INITiate:CONTInuous OFF|ON|0|1

:INITiate:CONTInuous?

Title: Continuous/Single Sweep

Description: Specifies whether the sweep/measurement is triggered continuously. If the value is set to ON or 1, another sweep/measurement is triggered as soon as the current one completes. If continuous is set to OFF or 0, the instrument enters the “idle” state and waits for the :INITiate[:IMMediate] command or for :INITiate:CONTInuous ON. The default value is ON. That is, sending :INIT:CONT is equivalent to sending :INIT:CONT ON. The query version of the command returns a 1 if the instrument is continuously sweeping/measuring and returns a 0 if the instrument is in single sweep/measurement mode. Note that rapid toggling between ON and OFF is not allowed. The instrument must be allowed to make a full sweep before toggling can be done. Note that the set command is available only if the instrument is in Cable & Antenna mode.

Note: Issue the command :INITiate[:IMMediate] after changing from single sweep mode to continuous sweep mode in order to begin sweeping.

Parameter: OFF|ON|0|1

Parameter Type: <boolean>

Default Value: ON

Related Command: :INITiate[:IMMediate]
:INITiate:HOLD

Front Panel Access: Shift-3 (Sweep), Sweep (Single/Continuous)

:INITiate[:IMMediate]

Title: Trigger Sweep/Measurement

Description: Use this command in combination with :STATus:OPERation? to synchronize the capture of one complete set of data. When this command is sent, the “sweep complete” bit of :STATus:OPERation? is set to 0, indicating that the measurement has not completed. The data collection is then triggered. The controlling program can poll :STATus:OPERation? to determine the status. When the “sweep complete” bit is set to 1, data is ready to be retrieved.

Related Command: :INITiate:CONTInuous
:STATus:OPERation?

Front Panel Access: Shift-3 (Sweep), Trigger Sweep

10-8 :MEASure Subsystem

These commands take the instrument from its current state, enable the specified measurement and put the instrument into single sweep mode. They correct any parameters that are invalid given the new measurement state such that a valid measurement can take place. Other settings may be changed; see the documentation of CONFigure for each measurement. They then initiate the measurement. When the measurement is complete, they return the result.

To make a measurement with settings other than the “default” measurement settings applied by CONFigure, do the following:

- Send the appropriate CONFigure command to set the desired measurement.
- Modify the settings as required.
- Send the appropriate READ command to measure and return the result.

To get the current measurement data, use the appropriate FETCh command.

:MEASure:DEMod:CDPower?

Title: Measure Code Domain Power

Description: Sets the active measurement to Code Domain Power, sets the default measurement parameters, triggers a new measurement and returns the Pilot Power, Channel Power, Noise Floor, Rho, Carrier Feed Through, Tau, RMS Phase Error, Frequency Error, Frequency Error PPM, Page, Sync, and Q Page measurement results. It is a combination of the following commands :CONFigure:DEMod CDPower; :READ:DEMod:CDPower? To make a CDP measurement with settings other than the default values send:

```
:CONFigure:DEMod CDPower
Commands to set desired settings
:READ:DEMod:CDPower?
```

Data is returned as 12 comma-delimited values: Pilot Power in the current user set unit (dBm/W/mW), Channel Power in the current user set unit (dBm/W/mW), Noise Floor in dB, Rho, Carrier Feed Through in dB, Tau in ps, RMS Phase Error in deg, Frequency Error in Hz, Frequency Error PPM, Page in dBm, Sync in dBm, and Q Page. All invalid values are replaced with “-”.

Default Unit: dBm

Related Command: :CONFigure:DEMod CDPower
:READ:DEMod:CDPower?
FETCh:DEMod:CDPower?

:MEASure:OTA:MPATH?

Title: Measure OTA Multipath

Description: Sets the active measurement to Multipath, sets the default measurement parameters, triggers a new measurement and returns six Ec/Io values, six Tau values, Channel Power, and Multipath Power. It is a combination of the following commands :CONFigure:OTA MPATH; :READ:OTA:MPATH? To make an OTA Multipath measurement with settings other than the default values send:

:CONFigure:OTA MPATH

Commands to set desired settings

:READ:OTA:MPATH?

Data is returned as 14 comma-delimited values: six Ec/Io Values in dB, six Tau values in ps, Channel Power in the current user set unit (dBm/W/mW), and Multipath Power in dB. All invalid values are replaced with "--".

Related Command: :CONFigure:OTA MPATH

:READ:OTA:MPATH?

:FETCh:OTA:MPATH?

Front Panel Access: Measurement, OTA, Multipath

:MEASure:PFail?

Title: Measure PASS/FAIL

Description: Sets the active measurement to PASS/FAIL, sets the default measurement parameters, triggers a new measurement and returns the PASS/FAIL results. It is a combination of the commands :CONFigure:PFail; :READ:PFail? To make a channel power measurement with settings other than the default values send:

:CONFigure PFail

Commands to set desired settings

:READ:PFail?

Related Command: :CONFigure PFail

READ:PFail?

FETCh:PFail?

Front Panel Access: Shift-4 (Measurement), PASS/FAIL

:MEASure:RF:ACPR?

Title: Measure Adjacent Channel Power Ratio

Description: Sets the active measurement to ACPR, sets the default measurement parameters, triggers a new measurement, and returns the power levels for each of the adjacent and main channels (9 total). It is a combination of the commands :CONFigure:RF ACPR; :READ:RF:ACPR? To make an RF ACPR measurement with settings other than the default values send:

:CONFigure:RF ACPR

Commands to set desired settings

:READ:RF:ACPR?

Data is returned as 9 comma-delimited values: The Absolute Adjacent Channel 1 Power, Absolute Adjacent Channel 2 Power, Absolute Main Channel 1 Power, Absolute Main Channel 2 Power, Absolute Main Channel 3 Power, Absolute Main Channel 4 Power, Absolute Main Channel 5 Power, Absolute Adjacent Channel 3 Power, Absolute Adjacent Channel 4 Power. All values are returned in dBm.

Note that the values for all five main channel carriers are shown even if the number of carriers set on the instrument is below five.

Related Command: :READ:RF:ACPR?
:CONFigure:RF ACPR
:FETCh:RF:ACPR?

Front Panel Access: Measurement, RF, ACPR

:MEASure:RF:EMISsion?

Title: Measure RF Spurious Emission

Description: Sets the active measurement to Spurious Emission, sets the default measurement parameters, triggers a new measurement and returns the Marker Amplitude, Marker Frequency, RBW, a Pass/Fail assessment, and the Mask Boundary Frequency for all markers/boundaries. It is a combination of the following commands :CONFigure:RF EMISsion; :READ:RF:EMISsion? To make an RF Spurious Emission measurement with settings other than the default values send:

:CONFigure:RF EMISsion

Commands to set desired settings

:READ:RF:EMISsion?

Data is returned as 5 comma-delimited values for each marker/boundary: Marker Amplitude in dB, Marker Frequency in Hz, RBW in Hz, Pass/Fail, and Mask Boundary Frequency in Hz.

Markers that are not on will return "--" for Marker Amplitude, Marker Frequency, RBW, and Pass/Fail. Mask Boundary Frequency will show normally despite the corresponding marker being off.

Related Command: :CONFigure:RF EMISsion
:READ:RF:EMISsion?
:FETCh:RF:EMISsion?

Front Panel Access: Measurement, RF, Spurious Emission

:MEASure:RF:SPECTrum?

Title: Measure RF Spectrum

Description: Sets the active measurement to Channel Spectrum, sets the default measurement parameters, triggers a new measurement and returns the Channel Power (Current User Set Unit), Occupied Bandwidth, Channel Power (Watts) and Peak to Average Power measurement results. It is a combination of the following commands :CONFigure:RF SPECTrum; :READ:RF:SPECTrum? To make an RF Spectrum measurement with settings other than the default values send:

:CONFigure:RF SPECTrum

Commands to set desired settings

:READ:RF:SPECTrum?

Data is returned as 4 comma-delimited values: Channel Power in the current user set unit (dBm/W/mW), Occupied bandwidth in Hz, Channel Power in fW, and Peak to Average Power in dB.

Related Command: :CONFigure:RF SPECTrum

:READ:RF:SPECTrum?

:FETCh:RF:SPECTrum?

Front Panel Access: Measurement, RF, Channel Spectrum

10-9 :READ Subsystem

This set of commands combines the ABORT, INITiate and FETCh commands. It aborts any current triggering sequence and sets the trigger state to idle. It then initiates a new active measurement (i.e. begins the collection of new data). When the measurement is complete, it returns the result. These commands will not switch to another measurement.

To get the current measurement data, use the FETCh command.

:READ:DEMod:CDPower?

Title: Read Code Domain Power

Description: Triggers a new measurement and returns the Pilot Power, Channel Power, Noise Floor, Rho, Carrier Feed Through, Tau, RMS Phase Error, Frequency Error, Frequency Error PPM, Page, Sync, and Q Page measurement results. It is a combination of the following commands :ABORT; :INITiate; :FETCh:DEMod:CDPower? In order for the data to be accurate, the Code Domain Power measurement must be the active measurement (specified by :CONFigure:DEMod CDPower. The current measurement can be queried using :CONFigure?

Data is returned as 12 comma-delimited values: Pilot Power in the current user set unit (dBm/W/mW), Channel Power in the current user set unit (dBm/W/mW), Noise Floor in dB, Rho, Carrier Feed Through in dB, Tau in ps, RMS Phase Error in deg, Frequency Error in Hz, Frequency Error PPM, Page in dBm, Sync in dBm, and Q Page. All invalid values are replaced with "--".

Default Unit: dBm

Related Command: CONFigure:DEMod CDPower
:MEASure:DEMod:CDPower?
:FETCh:DEMod:CDPower?

Front Panel Access: Measurement, Demodulator, CDP

:READ:OTA:MPATH?

Title: Read OTA Multipath

Description: Triggers a new measurement and returns six Ec/Io values, six Tau values, Channel Power, and Multipath Power. It is a combination of the following commands :ABORT; :INITiate; :FETCh:OTA:MPATH? In order for the data to be accurate, the Multipath measurement must be the active measurement (specified by :CONFigure:OTA MPATH. The current measurement can be queried using :CONFigure?

Data is returned as 14 comma-delimited values: six Ec/Io Values in dB, six Tau values in ps, Channel Power in the current user set unit (dBm/W/mW), and Multipath Power in dB. All invalid values are replaced with "--".

Related Command: :CONFigure:OTA MPATH
:MEASure:OTA:MPATH?
:FETCh:OTA:MPATH?

Front Panel Access: Measurement, OTA, Multipath

:READ:PFail?

Title: Read PASS/FAIL

Description: Triggers a new PASS/FAIL measurement and returns the results. It is a combination of the commands :ABORT; :INITiate; FETCh:PFail? The PASS/FAIL measurement must be active. The current measurement can be queried using :CONFigure?

Related Command: MEASure:PFail?
:CONFigure:PFail
FETCh:PFail?
:CONFigure:PFail

Front Panel Access: Shift-4 (Measurement), PASS/FAIL

:READ:RF:ACPR?

Title: Read Adjacent Channel Power Ratio

Description: Triggers a new measurement, and returns the power levels for each of the adjacent and main channels (9 total). It is a combination of the commands :ABORT; :INITiate; :FETCh:RF:ACPR? In order for the data to be accurate, the ACPR measurement must be the active measurement (specified by :CONFigure:RF ACPR. The current measurement can be queried using :CONFigure?

Data is returned as 9 comma-delimited values: The Absolute Adjacent Channel 1 Power, Absolute Adjacent Channel 2 Power, Absolute Main Channel 1 Power, Absolute Main Channel 2 Power, Absolute Main Channel 3 Power, Absolute Main Channel 4 Power, Absolute Main Channel 5 Power, Absolute Adjacent Channel 3 Power, Absolute Adjacent Channel 4 Power. All values are returned in dBm. Note that the values for all five main channel carriers are shown even if the number of carriers set on the instrument is below five.

Related Command: :FETCh:RF:ACPR?
:CONFigure:RF ACPR
:MEASure:RF:ACPR?

Front Panel Access: Measurement, RF, ACPR

:READ:RF:EMISSion?

Title: Read RF Spurious Emission

Description: Triggers a new measurement and returns the Marker Amplitude, Marker Frequency, RBW, a Pass/Fail assessment, and the Mask Boundary Frequency for all markers/boundaries. It is a combination of the following commands :ABORT; :INITiate; :FETCh:RF:EMISSion? In order for the data to be valid, the Spurious Emission measurement must be the active measurement (specified by :CONFigure:RF EMISSion. The current measurement can be queried using :CONFigure?

Data is returned as 5 comma-delimited values for each marker/boundary (40 values total): Marker Amplitude in dB, Marker Frequency in Hz, RBW in Hz, Pass/Fail, and Mask Boundary Frequency in Hz. Markers that are not on will return "--" for Marker Amplitude, Marker Frequency, RBW, and Pass/Fail. All Mask Boundary Frequencies will show normally.

Related Command: :CONFigure:RF EMISSion
:MEASure:RF:EMISSion?
:FETCh:RF:EMISSion?

Front Panel Access: Measurement, RF, Spurious Emission

:READ:RF:SPECTrum?

Title: Read RF Spectrum

Description: Triggers a new measurement and returns the Channel Power (Current User Set Unit), Occupied Bandwidth, Channel Power (Watts) and Peak to Average Power measurement results. It is a combination of the following commands :ABORT; :INITiate; :FETCh:RF:SPECTrum? In order for the data to be accurate, the Channel Spectrum measurement must be the active measurement (specified by :CONFigure:RF SPECTrum). The current measurement can be queried using :CONFigure?

Data is returned as 4 comma-delimited values: Channel Power in the current user set unit (dBm/W/mW), Occupied bandwidth in Hz, Channel Power in fW, and Peak to Average Power in dB.

Related Command: :FETCh:RF:SPECTrum?
:CONFigure:RF SPECTrum
:MEASure:RF:SPECTrum?

Front Panel Access: Measurement, RF, Channel Spectrum

10-10 :TRACe Subsystem

This subsystem contains commands related to the transfer of trace data to and from the instrument.

:TRACe:PREamble? <trace type>

Title: Trace Header Transfer

Description: Returns trace header information for the specified trace. The <trace type> must be one of the following: SPECTrum | EMISsion | DEMod | PSCAn | MPATh.

Data can be transferred to and from the 5 available display trace types. Use the commands in the MMEMory subsystem to store and recall traces from the instrument memory. The response begins with an ASCII header. The header specifies the number of following bytes. It looks like #AX, where A is the number of digits in X and X is the number of bytes that follow the header. Parameters are returned in comma-delimited ASCII format. Each parameter is returned as "NAME=VALUE[UNITS]," Valid parameter names are shown in "[CDMA Parameter Names](#)" on page 2-26.

Parameter: <trace type>

Related Command: :TRACe:DATA?

:TRACe[:DATA]? <trace type>

Title: Trace Data Transfer

Description: This command transfers trace data from the instrument to the controller. The <trace type> must be one of the following:
SPEcTrum | EMISsion | DEMod | PSCAn | MPATh | ACPR.

The format of the block data in the query form is specified by :FORMat:DATA. The block data in the command form is always sent in ASCII format.

The response begins with an ASCII header that specifies the number of data bytes. It looks like #AX, where A is the number of digits in X and X is the number of bytes that follow the header. Each data point is separated by a comma delimiter.

Trace setup information can be acquired using :TRACe[:DATA]:PREamble?. Use the commands in the MMEMory subsystem to store and recall traces from the instrument memory.

The RF measurements ACPR and Channel Spectrum both only have one value per data point that is returned in dBm. Each value is 4 bytes.

For the RF Spurious Emission measurement, each data point will have two values. The first value is the wave data, while the second value is the mask data. Both values are four bytes and returned in dBm.

The Demodulator Code Domain Power measurement has four values per data point. The first value is the point number, which has no unit. The second value is the relative power returned in dB. The third value is the absolute power returned in dBm. The fourth value is the type, which is defined in the following table.

Return Value	Signal Type	Color
0	Noise	Grey
1	IS95 Traffic	Yellow
2	CDMA2000 Traffic	Orange
3	CDMA2000 Traffic	Orange
4	Pilot	Red
5	Sync	Blue
6	Page	Green
7	Q Page	Purple

All values are four bytes each.

Both of the Over the Air (OTA) measurements, Pilot Scan and Multipath, will have three values per data point. The first value is the type, which can be 0 (Noise, Grey), 1 (Primary, Blue), and 2 (Secondary, Red), or. The second value is the Ec/Io returned in dB. The third value is Tau returned in s. All three values are the same and are 4 bytes each.

Note that the instrument must be set in the selected view. Use the CONFIgure command to set the unit to the selected view.

Parameter: <trace type>

Related Command: :FORMat[:DATA]
:TRACe[:DATA]:PREamble?

10-11 :TRIGger Subsystem

This subsystem contains commands related to the triggering of instrument functions for the purposes of synchronization. Related commands appear in the ABORt and INITiate subsystems.

:TRIGger:SEQuence:SLOPe RISing|FALLing

:TRIGger:SEQuence:SLOPe?

Title: External Trigger Polarity

Description: This command sets the external trigger polarity. Note that this setting can only be changed when the PN Type is set to "EXT".

Parameter: RISing|FALLing

Parameter Type: <char>

Default Value: RISing

Default Unit: NA

Range: RISing, FALLing

Related Command: [:SENSe]:PN:TRIGger
[:SENSe]:PN:TRIGger?

Front Panel Access: Setup, Ext Trigger Polarity

10-12 :UNIT Subsystem

The unit subsystem is used to modify the default units used for related parameters. These changes affect parameters in both commands and responses.

:UNIT:POWer DBM|W

:UNIT:POWer?

Description: Sets the default amplitude units for input, output and display.

Parameter: DBM|W

Parameter Type: <char>

Default Value: dBm

Front Panel Access: Amplitude, Unit

10-13 [:SENSE] Subsystem

The commands in this subsystem relate to device-specific parameters, not signal-oriented parameters.

[:SENSE]:ACPower:BANDwidth|:MAIN <freq>

[:SENSe]:ACPower:BANDwidth|:MAIN?

Title: ACPR Main Channel Bandwidth

Description: Sets the main channel carrier bandwidth. The <freq> value must be 1.23|1.24|1.25.

Parameter: <freq>

Default Value: 1.25 MHz

Default Unit: MHz

Range: 1.23 MHz, 1.24 MHz, 1.25 MHz

Front Panel Access: Setup, Carrier BW (MHz)

[:SENSe]:DEMod:CDPower:UNITs RELative|ABSolute

[:SENSe]:DEMod:CDPower:UNITs?

Title: Code Domain Power Unit Type

Description: Sets the Code Domain Power unit type. The query form returns either a "REL" for relative units, or an "ABS" for absolute units in Ascii (without the double quotes).

Parameter: RELative|ABSolute

Parameter Type: <char>

Default Value: RELative

Range: RELative, ABSolute

Front Panel Access: Measurement, Demodulator, CDP, CDP Units

[:SENSE]:DEMod:CDPower:ZOOM 16|32|64

[:SENSe]:DEMod:CDPower:ZOOM?

Title: Code Domain Power Zoom

Description: Sets the zoom for the Code Domain Power measurement. The query form returns either 16, 32, or 64.

Parameter: 16|32|64

Default Value: 16

Range: 16, 32, 64

Related Command: [:SENSe]:DEMod:CDPower:ZOOM:START
[:SENSe]:DEMod:CDPower:ZOOM:START?

Front Panel Access: Measurement, Demodulator, CDP, Zoom

[:SENSe]:DEMod:CDPower:ZOOM:START <integer>

[:SENSe]:DEMod:CDPower:ZOOM:START?

Title: Code Domain Power Zoom Start Index

Description: Sets the zoom start index for the Code Domain Power measurement.

Parameter: <integer>

Parameter Type: <integer>

Default Value: 0

Range: 0 to 112

Related Command: [:SENSe]:DEMod:CDPower:ZOOM
[:SENSe]:DEMod:CDPower:ZOOM?

Front Panel Access: Measurement, Demodulator, CDP, Zoom Start Index

[:SENSe]:FREQuency:CENTer <freq>

[:SENSe]:FREQuency:CENTer?

Title: Center Frequency

Description: Sets the center frequency. Note that changing the value of the center frequency will change the value of the coupled parameters Start Frequency and Stop Frequency. It may also change the value of the span. Note that the set command is available only if the instrument is in Cable & Antenna mode.

Parameter: <freq>

Default Value: 1 GHz

Default Unit: Hz

Range: 1 MHz to 2.7 GHz

Front Panel Access: Freq, Center Freq

[:SENSe]:FREQuency:SIGStandard <index>

[:SENSe]:FREQuency:SIGStandard?

Title: Signal Standard

Description: Selects the desired signal standard from the list. The <index> argument is a 1-based index of the position of the desired signal standard in the instrument's current signal standard list. The list can be seen on the instrument by choosing the "Signal Standard" soft-key button in the "Frequency" menu. The list can also be downloaded remotely and viewed using Anritsu Master Software Tools. For example, if the desired Signal Standard is the 3rd item on the list then the value of the <index> argument would be 3.

The query form of this command will return the index of the currently-selected Signal Standard on the list.

Parameter: <index>

Front Panel Access: Frequency, Signal Standard

[:SENSE]:FREQUENCY:SIGStandard:CHANnel <number>

[:SENSe]:FREQUENCY:SIGStandard:CHANnel?

Title: Channel Selection

Description: Sets the channel number for the selected signal standard.

Parameter: <number>

Front Panel Access: Frequency, Channel

[:SENSe]:FREQUENCY:SPAN?

Title: Frequency Span

Description: This is a query command only. The user can not set the span in CDMA or EVDO modes.

Parameter: <freq>

Default Unit: Hz

[:SENSe]:PFail <test set>

[:SENSe]:PFail?

Title: PASS/FAIL Test Selection

Description: Selects the active test set to be used in subsequent PASS/FAIL measurements. The <test set> value must correspond to a test set that is defined in the test set list. To view the list on the instrument, go into the "Measurement" menu, press the "Pass/Fail Mode" key, and then press the "Select Pass/Fail Test" soft key. Alternatively, the list can be retrieved remotely and viewed using the Anritsu Master Software Tools. The <test set> argument is a 1-based index of the position of the desired Pass/Fail test set in the instrument's current Pass/Fail test set list. For example, if the desired Pass/Fail test is the 3rd item on the list then the value of the <test set> argument would be 3.

When using the query form of the command, the return value is the currently selected test set number. If there is not a valid test set selected, the return value is "-1" (negative 1).

Parameter: <test set>

Related Command: :CONFigure:PFail

Front Panel Access: Measurement, Pass Fail Mode, Select Pass/Fail Test

[:SENSe]:PN:OFFSet <integer>

[:SENSe]:PN:OFFSet?

Title: PN Offset

Description: Sets the PN offset. Note that this can only be changed when PN Trigger is set to "GPS", or "EXT". A return value of the PN offset query is invalid when PN search type is AUTO.

Parameter: <integer>

Parameter Type: <integer>

Default Value: 0

Range: 0 to 511

Related Command: [:SENSe]:PN:TRIGger

[:SENSe]:PN:TRIGger?

[:SENSe]:PN:STYPe [:SENSe]:PN:STYPe?

Front Panel Access: Setup, PN Setup, PN Offset

[:SENSE]:PN:SType:AUTO 1|0|ON|OFF

[:SENSE]:PN:SType:AUTO?

Title: PN Search Type

Description: Sets the PN search type. The default value is ON. That is, sending :SENSE:PN:SType:AUTO is equivalent to sending :SENSE:PN:SType:AUTO ON. The query form returns either a 1 for ON, or a 0 for OFF. Note that this can only be changed when PN Trigger is set to "GPS", or "EXT".

Parameter: 1|0|ON|OFF

Parameter Type: <boolean>

Default Value: ON

Range: ON, OFF

Related Command: [:SENSE]:PN:TRIGger
[:SENSE]:PN:TRIGger?
[:SENSE]:PN:OFFSet [:SENSE]:PN:OFFSet?

Front Panel Access: Setup, PN Setup, PN Search Type

[:SENSE]:PN:TRIGger NOTRig|GPS|EXT

[:SENSE]:PN:TRIGger?

Title: External PN Trigger

Description: Sets the external PN trigger. The query form returns either "NOTRIG", "GPS", or "EXT" in Ascii (without the double quotes).

Parameter: NOTRig|GPS|EXT

Parameter Type: <char>

Default Value: No Trig

Range: NOTRig, GPS, EXT

Related Command: [:SENSE]:PN:SType
[:SENSE]:PN:SType?
[:SENSE]:PN:OFFSet [:SENSE]:PN:OFFSet?

Front Panel Access: Setup, PN Setup, PN Trigger

[:SENSE]:POWer[:RF]:RANGe:AUTO OFF|ON|0|1

[:SENSE]:POWer[:RF]:RANGe:AUTO?

Title: Automatic Amplitude Range

Description: Sets the automatic amplitude range. Setting the value to ON or 1 will result in the amplitude range being coupled to the detected input signal level. Setting the value to OFF or 0 will result in the input attenuation being un-coupled from the input signal level. That is, changing the input signal level will not change the amplitude range. When this command is issued, the amplitude range itself will not change. The default value is ON. That is, sending :SENS:POW:RANG:AUTO is equivalent to sending :SENS:POW:RANG:AUTO ON.

Parameter: OFF|ON|0|1

Parameter Type: <boolean>

Default Value: ON

Related Command: [:SENSE]:POWer[:RF]:RANGe

Front Panel Access: Amplitude, Auto Range

[:SENSe]:POWer[:RF]:RANGe[:IMMediate]

Title: Amplitude Range

Description: Re-calculates amplitude range. Note that issuing this command will set the automatic dynamic range OFF.

Related Command: [:SENSe]:POWer[:RF]:RANGe:AUTO

Front Panel Access: Amplitude, Adjust Range

[:SENSe]:RF:ACPR:MAINchannelcount <integer>**[:SENSe]:RF:ACPR:MAINchannelcount?**

Title: Main Channel Carrier Count

Description: Sets the number of main channel carriers.

Parameter: <integer>

Parameter Type: <integer>

Default Value: 1

Range: 1 to 5

Front Panel Access: Setup, Number of Carriers

[:SENSe]:SWEep:SPEEd FAST|NORM|SLOW**[:SENSe]:SWEep:SPEEd?**

Title: Measurement Speed

Description: Sets the measurement speed. The query form returns either "FAST", "NORM", or "SLOW" in Ascii (without the double quotes).

Parameter: FAST|NORM|SLOW

Parameter Type: <char>

Default Value: Norm

Range: FAST, NORM, SLOW

Front Panel Access: Setup, Meas Speed

[:SENSe]:WCODe 64|128**[:SENSe]:WCODe?**

Title: Walsh Codes

Description: Sets the Walsh codes.

Parameter: 64|128

Default Value: 128

Range: 64, 128

Front Panel Access: Setup, Walsh Codes

Chapter 11 — EVDO Commands

11-1 :ABORt Subsystem

The abort subsystem includes commands that allow the user to stop current measurement activities on the instrument.

:ABORt

Title: Abort

Description: Restarts the current sweep and/or measurement. Resets the trigger system. If :INITiate:CONTinuous is OFF (i.e. the instrument is in single sweep mode), send the command :INITiate[:IMMediate] to trigger the next sweep. If :INITiate:CONTinuous is ON (i.e. the instrument is in continuous sweep mode) a new sweep will start immediately.

Parameter: NA

Related Command: :INITiate:CONTinuous
:INITiate[:IMMediate]

Front Panel Access: Shift-3 (Sweep), Reset Sweep

11-2 :CALCulate Subsystem

The commands in this subsystem process data that has been collected via the SENSE subsystem. Valid measurements with the use of markers are RF Measurement ; Channel Spectrum; and the Demodulator Measurement , CDP MAC.

:CALCulate:MARKer:AOff

Title: Turn All Markers Off

Description: Turns off all markers.

Front Panel Access: Marker, All Markers Off

:CALCulate:MARKer{1|2|3|4|5|6}:Y?

Title: Marker Read Y Value

Description: Reads the current Y value for the specified marker. The units are the units of the y-axis.

Default Unit: Current y-axis unit

:CALCulate:MARKer{1|2|3|4|5|6}[:STATe] OFF|ON|0|1

:CALCulate:MARKer{1|2|3|4|5|6}[:STATe]?

Title: Marker State

Description: Sets the specified marker on/off.

Parameter: OFF|ON|0|1

Parameter Type: <boolean>

Default Value: OFF

Example: To turn off reference marker #1:

```
:CALCulate:MARKer1:STATe OFF
```

Front Panel Access: Marker, On/Off

11-3 :CONFigure Subsystem

This set of commands prepares the instrument for the selected measurement. It disables any currently-enabled measurements and activates the specified measurement. It sets it to SS and triggers ONE sweep. It will not initiate the taking of a measurement.

Current instrument settings may be changed to default values. These changes are identified with their respective measurement commands.

:CONFigure SUMMary|PFail

Title: Configure Summary and Pass/Fail Measurements

Description: This command configures the summary and PASS/FAIL measurements. It disables any other active measurements. None of the instrument parameters are changed by the execution of this command. Sets the instrument to single sweep mode (:INITiate:CONTinuous OFF). Measurement settings can be modified by using the [:SENSe] commands before initiating a measurement.

Parameter: SUMMary|PFail

Parameter Type: <char>

Front Panel Access: Shift-4 (Measurement) , EVDO Summary or Pass/Fail Mode

:CONFigure:DEMod <char>

Title: Configure Demodulation Measurement

Description: Valid <char> parameter options: SUMMary|CDPMac|CDPData

This command configures the selected demodulation measurement. It disables any other active measurements. Sets the instrument to single sweep mode (:INITiate:CONTinuous OFF). Measurement settings can be modified by using the [:SENSe]:DEMod commands before initiating a measurement.

When the SUMMARY option is selected, the measurement results are equivalent to the results that are displayed by choosing Measurements, then Demodulator, then Modulation Summary from the front panel. When the CDPMac option is selected, the measurement results are equivalent to the results that are displayed by choosing Measurements, then Demodulator, then CDP MAC from the front panel. When the CDPData option is selected, the measurement results are equivalent to the results that are displayed by choosing Measurements, then Demodulator, then CDP Data from the front panel.

Parameter: <char>

Front Panel Access: Shift-4 (Measurement), Demodulator

:CONFigure:OTA <char>

Title: Configure Over-The-Air Measurement

Description: This command configures the selected Over The Air measurement. It disables any other active measurements. Sets the instrument to single sweep mode (:INITiate:CONTinuous OFF). Measurement settings can be modified before initiating a measurement. When the PSCAn option is selected, the measurement results are equivalent to the results that are displayed by choosing Measurements, then OTA, then Pilot Scan from the front panel. When the MPATH option is selected, the measurement results are equivalent to the results that are displayed by choosing Measurements, then OTA, then Multipath from the front panel.

Parameter: <char> PSCAn, MPATH

:CONFigure:RF <char>

Title: Configure RF Measurement

Description: Valid parameter options: SUMMary | SPECTrum | ACPR | EMISsion | PVTime

This command configures the selected RF measurement. It disables any other active measurements. Sets the instrument to single sweep mode (:INITiate:CONTinuous OFF). Measurement settings can be modified by using the [:SENSe]:RF commands before initiating a measurement.

When the SUMMary option is selected, the measurement results are equivalent to the results that are displayed by choosing Measurements, then RF, then RF Summary from the front panel. When the SPECTrum option is selected, the measurement results are equivalent to the results that are displayed by choosing Measurements, then RF, then Channel Spectrum from the front panel. When the ACPR option is selected, the measurement results are equivalent to the results that are displayed by choosing Measurements, then RF, then ACPR from the front panel. When the EMISsion option is selected, the measurement results are equivalent to the results that are displayed by choosing Measurements, then RF, then Spurious Emission from the front panel. When the PVTime option is selected, the measurement results are equivalent to the results that are displayed by choosing Measurements, then RF, then Power vs. Time from the front panel.

Parameter: <char>

Related Command: [:SENSe]:FREQuency
[:SENSe]:RF:ACLR:MAINchannelcount
[:SENSe]:RF:ACLR:ADJCchannelcount

11-4 :DISPlay Subsystem

This subsystem provides commands that modify the display of data for the user. They do not modify the way in which data are returned to the controller.

:DISPlay:WINDow:TRACe:Y[:SCALE]:OFFSet <rel ampl>
:DISPlay:WINDow:TRACe:Y[:SCALE]:OFFSet?

Title: Power Offset

Description: Sets the power offset value for the y-axis.

Parameter: <rel ampl>

Default Value: 0 dB

Default Unit: dB

Range: -100 dB to 100 dB

Front Panel Access: Amplitude, Power Offset

:DISPlay:WINDow:TRACe:Y[:SCALE]:PDIVision <rel ampl>
:DISPlay:WINDow:TRACe:Y[:SCALE]:PDIVision?

Title: Scale

Description: Sets the scale (dB/division) for the y-axis.

Parameter: <rel ampl>

Default Value: 10 dB/div

Default Unit: dB

Range: 1 dB to 15 dB

Front Panel Access: Amplitude, Scale

11-5 :FETCh Subsystem

This set of commands returns the most recent measurement data of the active measurement. They will not switch to another measurement.

To make a new measurement, use the INITiate command. To get new measurement data, use the READ or MEASure query commands.

:FETCh:DEMod:CDPData?

Title: Fetch Demodulator Code Domain Power Data

Description: Returns the most recent Code Domain Power Data measurement results.

Data is returned as 6 comma-delimited values: Active Data Power in the current user set unit (dBm/W/mW), Data Modulation, Rho Pilot, Rho Overall1, Max Data CDP in dB, and Min Data CDP in dB. All invalid values are replaced with "--".

Related Command: :CONFigure:DEMod CDPData
:MEASure:DEMod:CDPData?
:READ:DEMod:CDPData?

Front Panel Access: Measurement, Demodulator, CDP Data

:FETCh:DEMod:CDPMac?

Title: Fetch Demodulator Code Domain Power MAC

Description: Returns the most recent Code Domain Power MAC measurement results.

Data is returned as 8 comma-delimited values: Pilot & MAC Power in the current user set unit (dBm/W/mW), Channel Power in the current user set unit (dBm/W/mW), Frequency Error in Hz, Frequency Error PPM, Rho Pilot, Rho Overall1, Data Modulation, and Noise Floor in dB. All invalid values are replaced with "--".

Related Command: :CONFigure:DEMod CDPMac
:MEASure:DEMod:CDPMac?
:READ:DEMod:CDPMac?

Front Panel Access: Measurement, Demodulator, CDP MAC

:FETCh:DEMod:SUMMARY?

Title: Fetch Demodulator Summary

Description: Returns the most recent Modulation Summary measurement results.

Data is returned as 12 comma-delimited values: Pilot & MAC Power in the current user set unit (dBm/W/mW), Channel Power in the current user set unit (dBm/W/mW), Rho Pilot, Rho Mac, Rho Data, Rho Overall1, Rho Overall2, Data Modulation, Noise Floor in dB, RMS Phase Error, Frequency Error in Hz, Tau in tens of microseconds. All invalid values are replaced with "--".

Related Command: :CONFigure:DEMod SUMMARY
:MEASure:DEMod:SUMMARY?
:READ:DEMod:SUMMARY?

Front Panel Access: Measurement, Demodulator, Modulation Summary

:FETCh:OTA:MPATH?

Title: Fetch OTA Multipath

Description: Returns the most recent Multipath measurement results.

Data is returned as 14 comma-delimited values: six Ec/Io Values in dB, six Tau values in ps, Channel Power in the current user set unit (dBm/W/mW), and Multipath Power in dB. All invalid values are replaced with "--".

Related Command: :CONFigure:OTA MPATH
:MEASure:OTA:MPATH?
:READ:OTA:MPATH?

Front Panel Access: Measurement, OTA, Multipath

:FETCh:PFail?

Title: Fetch PASS/FAIL

Description: Returns the most recent PASS/FAIL measurement results. Measurement results are returned in a block of ASCII text in the format of <header><block>. The ASCII header specifies the number of data bytes. It looks like #AX, where A is the number of digits in X and X is the number of bytes in the <block>. The block consists of a set of records which indicate individual test results. Records are comma-separated. Each record follows the format <test ID>: <input1> <input2> <min> <max> <value1> <value2> <PASS/FAIL/OPTION NOT INSTALLED>. The <test ID> field indicates which test was performed to retrieve these results. The <input1> and <input2> fields indicate the test setup. The <min> and <max> fields indicate the minimum and maximum values against which <value1> and <value2> were compared to arrive at the final PASS/FAIL result. If the specified test is not available in the instrument, the <PASS/FAIL> field will indicate "option not available" instead of "pass" or "fail". All unused fields for a given test are represented by a double dash ("--"). To receive valid measurements, the Pass/Fail measurement must be the active. The current measurement can be queried using CONFigure?. Use the :CONFigure:PFail to set Pass/Fail as the active measurement.

Related Command: MEASure:PFail?
:CONFigure:PFail
READ:PFail?

:FETCh:RF:ACPR?

Title: Fetch Adjacent Channel Power Ratio

Description: Returns the most recent Adjacent Channel Power Ratio measurement results.

Data is returned as 9 comma-delimited values: The Absolute Adjacent Channel 1 Power, Absolute Adjacent Channel 2 Power, Absolute Main Channel 1 Power, Absolute Main Channel 2 Power, Absolute Main Channel 3 Power, Absolute Main Channel 4 Power, Absolute Main Channel 5 Power, Absolute Adjacent Channel 3 Power, Absolute Adjacent Channel 4 Power. All values are returned in dBm. Note that the values for all five main channel carriers are shown even if the number of carriers set on the instrument is below five.

Related Command: :CONFigure:RF ACPR
:MEASure:RF:ACPR?
:READ:RF:ACPR?

Front Panel Access: Measurement, RF, ACPR

:FETCh:RF:EMISsion?

Title: Fetch RF Spurious Emission

Description: Returns the most recent Spurious Emission measurement result.

Data is returned as 5 comma-delimited values for each marker/boundary (40 values total): Marker Amplitude in dB, Marker Frequency in Hz, RBW in Hz, Pass/Fail, and Mask Boundary Frequency in Hz. Markers that are not on will return "--" for Marker Amplitude, Marker Frequency, RBW, and Pass/Fail. All Mask Boundary Frequencies will show normally.

Related Command: :CONFIgure:RF EMISsion
:MEASure:RF:EMISsion?
:READ:RF:EMISsion?

Front Panel Access: Measurement, RF, Spurious Emission

:FETCh:RF:SPECTrum?

Title: Fetch RF Spectrum

Description: Returns the most recent RF Channel Spectrum measurement results.

Data is returned as 4 comma-delimited values: Channel Power in the current user set unit (dBm/W/mW), Occupied bandwidth in Hz, Channel Power in fW, and Peak to Average Power in dB.

Related Command: :CONFIgure:RF SPECTrum
:MEASure:RF:SPECTrum?
:READ:RF:SPECTrum?

Front Panel Access: Measurement, RF, Channel Spectrum

:FETCh:RF:SUMMary?

Title: Fetch RF Summary

Description: Returns the most recent RF Summary measurement results.

Data is returned as 9 comma-delimited values: Channel Power, Pilot & MAC Power, Frequency Error, Spurious Emission, Occupied Bandwidth, Idle Activity, Active Activity, ON/OFF Ratio, Peak to Avg Power. All invalid values are replaced with "--". Power units are in watt or dBm as per what is set by the user. Frequency is always in Hz.

Related Command: :CONFIgure:RF SUMMary
:MEASure:RF:SUMMary?
:READ:RF:SUMMary?

Front Panel Access: Measurements, RF, RF Summary

11-6 :FORMat Subsystem

This subsystem contains commands that determine the formatting of numeric data when it is transferred.

The format setting affects data in specific commands only. If a command is affected, it is noted in the command description.

:FORMat[:READings][:DATA] ASCii|INTeger,32|REAL,32
:FORMat[:READings][:DATA]?

Title: Numeric Data Format

Description: This command specifies the format in which data is returned in certain commands.

ASCii format returns the data in comma-separated ASCII format. The units are the current instrument units. This format requires many more bytes so it is the slowest format. INTeger,32 values are signed 32-bit integers in little-endian byte order. This format returns the data in 4-byte blocks. (WCDMA and Cable & Antenna only: The units are always mdBm. For example, if the measured result was -12.345 dBm, that value would be sent as -12345.) REAL,32 values are 32-bit floating point numbers conforming to the IEEE 754 standard in little-endian byte order. This format returns the data in 4-byte binary format. The units are the current instrument units.

Both INTeger,32 and REAL,32 formats return a definite block length. Each transfer begins with an ASCII header such as #42204. The first digit represents the number of following digits in the header (in this example, 4). The remainder of the header indicates the number of bytes that follow the header (in this example, 2204). You then divide the number of following bytes by the number of bytes in the data format you've chosen (4 for both INTeger,32 and REAL,32) so 2204/4) to get the number of data points (in this example, 551).

Parameter: ASCii|INTeger,32|REAL,32

Parameter Type: <char>

Default Value: ASCii

Related Command: :TRACe[:DATA]

11-7 :INITiate Subsystem

This subsystem controls the triggering of measurements.

:INITiate:CONTinuous OFF|ON|0|1

:INITiate:CONTinuous?

Title: Continuous/Single Sweep

Description: Specifies whether the sweep/measurement is triggered continuously. If the value is set to ON or 1, another sweep/measurement is triggered as soon as the current one completes. If continuous is set to OFF or 0, the instrument enters the “idle” state and waits for the :INITiate[:IMMediate] command or for :INITiate:CONTinuous ON. The default value is ON. That is, sending :INIT:CONT is equivalent to sending :INIT:CONT ON. The query version of the command returns a 1 if the instrument is continuously sweeping/measuring and returns a 0 if the instrument is in single sweep/measurement mode. Note that rapid toggling between ON and OFF is not allowed. The instrument must be allowed to make a full sweep before toggling can be done. Note that the set command is available only if the instrument is in Cable & Antenna mode.

Note: Issue the command :INITiate[:IMMediate] after changing from single sweep mode to continuous sweep mode in order to begin sweeping.

Parameter: OFF|ON|0|1

Parameter Type: <boolean>

Default Value: ON

Related Command: :INITiate[:IMMediate]

Front Panel Access: Shift-3 (Sweep), Sweep (Single/Continuous)

:INITiate[:IMMediate]

Title: Trigger Sweep/Measurement

Description: Use this command in combination with :STATus:OPERation? to synchronize the capture of one complete set of data. When this command is sent, the “sweep complete” bit of :STATus:OPERation? is set to 0, indicating that the measurement has not completed. The data collection is then triggered. The controlling program can poll :STATus:OPERation? to determine the status. When the “sweep complete” bit is set to 1, data is ready to be retrieved.

Related Command: :INITiate:CONTinuous
:STATus:OPERation?

Front Panel Access: Shift-3 (Sweep), Trigger Sweep

11-8 :MEASure Subsystem

These commands take the instrument from its current state, enable the specified measurement and put the instrument into single sweep mode. They correct any parameters that are invalid given the new measurement state such that a valid measurement can take place. Other settings may be changed; see the documentation of CONFigure for each measurement. They then initiate the measurement. When the measurement is complete, they return the result.

To make a measurement with settings other than the “default” measurement settings applied by CONFigure, do the following:

- Send the appropriate CONFigure command to set the desired measurement.
- Modify the settings as required.
- Send the appropriate READ command to measure and return the result.

To get the current measurement data, use the appropriate FETCh command.

:MEASure:DEMod:CDPData?

Title: Measure Demodulator Code Domain Power Data

Description: Sets the active measurement to Code Domain Power Data, sets the default measurement parameters, triggers a new measurement and returns the Active Data Power, Data Modulation, Rho Pilot, Rho Overall1, Max Data CDP, and Min Data CDP. It is a combination of the following commands :CONFigure:DEMod CDPData; :READ:DEMod:CDPData? To make a CDP Data measurement with settings other than the default values send:

```
:CONFigure:DEMod CDPData
Commands to set desired settings
:READ:DEMod:CDPData?
```

Data is returned as 6 comma-delimited values: Active Data Power in the current user set unit (dBm/W/mW), Data Modulation, Rho Pilot, Rho Overall1, Max Data CDP in dB, and Min Data CDP in dB. All invalid values are replaced with “--”.

Related Command: :CONFigure:DEMod CDPData
:READ:DEMod:CDPData?
:FETCh:DEMod:CDPData?

Front Panel Access: Measurement, Demodulator, CDP Data

:MEASure:DEMod:CDPMac?

Title: Measure Demodulator Code Domain Power MAC

Description: Sets the active measurement to Code Domain Power Mac, sets the default measurement parameters, triggers a new measurement and returns the Pilot & MAC Power, Channel Power, Frequency Error, Frequency Error PPM, Rho Pilot, Rho Overall1, Data Modulation, Noise Floor. It is a combination of the following commands :CONFigure:DEMod CDPMac; :READ:DEMod:CDPMac? To make a CDP MAC measurement with settings other than the default values send:

```
:CONFigure:DEMod CDPMac
Commands to set desired settings
:READ:DEMod:CDPMac?
```

Data is returned as 8 comma-delimited values: Pilot & MAC Power in the current user set unit (dBm/W/mW), Channel Power in the current user set unit (dBm/W/mW), Frequency Error in Hz, Frequency Error PPM, Rho Pilot, Rho Overall1, Data Modulation, and Noise Floor in dB. All invalid values are replaced with "--".

Related Command: :CONFigure:DEMod CDPMac
:READ:DEMod:CDPMac?
:FETCh:DEMod:CDPMac?

Front Panel Access: Measurement, Demodulator, CDP MAC

:MEASure:DEMod:SUMMARY?

Title: Measure Demodulator Summary

Description: Sets the active measurement to Modulation Summary, sets the default measurement parameters, triggers a new measurement and returns the Pilot & MAC Power, Channel Power, Rho Pilot, Rho Mac, Rho Data, Rho Overall1, Rho Overall2, Data Modulation, Noise Floor, RMS Phase Error, Frequency Error and Tau. It is a combination of the following commands :CONFigure:DEMod SUMMARY; :READ:DEMod:SUMMARY? To make a Demodulator Summary measurement with settings other than the default values send:

```
:CONFigure:DEMod SUMMARY
Commands to set desired settings
:READ:DEMod:SUMMARY?
```

Data is returned as 12 comma-delimited values: Pilot & MAC Power in the current user set unit (dBm/W/mW), Channel Power in the current user set unit (dBm/W/mW), Rho Pilot, Rho Mac, Rho Data, Rho Overall1, Rho Overall2, Data Modulation, Noise Floor in dB, RMS Phase Error, Frequency Error in Hz, Tau in tens of microseconds. All invalid values are replaced with "--".

Related Command: :CONFigure:DEMod SUMMARY
:READ:DEMod:SUMMARY?
:FETCh:DEMod:SUMMARY?

Front Panel Access: Measurement, Demodulator, Modulation Summary

:MEASure:OTA:MPATH?

Title: Measure OTA Multipath

Description: Sets the active measurement to Multipath, sets the default measurement parameters, triggers a new measurement and returns six Ec/Io values, six Tau values, Channel Power, and Multipath Power. It is a combination of the following commands :CONFigure:OTA MPATH; :READ:OTA:MPATH? To make an OTA Multipath measurement with settings other than the default values send:

:CONFigure:OTA MPATH

Commands to set desired settings

:READ:OTA:MPATH?

Data is returned as 14 comma-delimited values: six Ec/Io Values in dB, six Tau values in ps, Channel Power in the current user set unit (dBm/W/mW), and Multipath Power in dB. All invalid values are replaced with "--".

Related Command: :CONFigure:OTA MPATH
:READ:OTA:MPATH?
:FETCh:OTA:MPATH?

Front Panel Access: Measurement, OTA, Multipath

:MEASure:PFail?

Title: Measure PASS/FAIL

Description: Sets the active measurement to PASS/FAIL, sets the default measurement parameters, triggers a new measurement and returns the PASS/FAIL results. It is a combination of the commands :CONFigure:PFail; :READ:PFail? To make a channel power measurement with settings other than the default values send:

:CONFigure PFail

Commands to set desired settings

:READ:PFail?

Related Command: :CONFigure:PFail
READ:PFail?
FETCh:PFail?

Front Panel Access: Shift-4 (Measurement), PASS/FAIL

:MEASure:RF:ACPR?

Title: Measure Adjacent Channel Power Ratio

Description: Sets the active measurement to ACPR, sets the default measurement parameters, triggers a new measurement, and returns the power levels for each of the adjacent and main channels (9 total). It is a combination of the commands :CONFigure:RF ACPR; :READ:RF:ACPR? To make an RF ACPR measurement with settings other than the default values send:

```
:CONFigure:RF ACPR
Commands to set desired settings
:READ:RF:ACPR?
```

Data is returned as 9 comma-delimited values: The Absolute Adjacent Channel 1 Power, Absolute Adjacent Channel 2 Power, Absolute Main Channel 1 Power, Absolute Main Channel 2 Power, Absolute Main Channel 3 Power, Absolute Main Channel 4 Power, Absolute Main Channel 5 Power, Absolute Adjacent Channel 3 Power, Absolute Adjacent Channel 4 Power. All values are returned in dBm.

Note that the values for all five main channel carriers are shown even if the number of carriers set on the instrument is below five.

Related Command: :READ:RF:ACPR?
:CONFigure:RF ACPR
:FETCh:RF:ACPR?

Front Panel Access: Measurement, RF, ACPR

:MEASure:RF:EMISsion?

Title: Measure RF Spurious Emission

Description: Sets the active measurement to Spurious Emission, sets the default measurement parameters, triggers a new measurement and returns the Marker Amplitude, Marker Frequency, RBW, a Pass/Fail assessment, and the Mask Boundary Frequency for all markers/boundaries. It is a combination of the following commands :CONFigure:RF EMISsion; :READ:RF:EMISsion? To make an RF Spurious Emission measurement with settings other than the default values send:

```
:CONFigure:RF EMISsion
Commands to set desired settings
:READ:RF:EMISsion?
```

Data is returned as 5 comma-delimited values for each marker/boundary: Marker Amplitude in dB, Marker Frequency in Hz, RBW in Hz, Pass/Fail, and Mask Boundary Frequency in Hz.

Markers that are not on will return "--" for Marker Amplitude, Marker Frequency, RBW, and Pass/Fail. Mask Boundary Frequency will show normally despite the corresponding marker being off.

Related Command: :CONFigure:RF EMISsion
:READ:RF:EMISsion?
:FETCh:RF:EMISsion?

Front Panel Access: Measurement, RF, Spurious Emission

:MEASure:RF:SPECTrum?

Title: Measure RF Spectrum

Description: Sets the active measurement to Channel Spectrum, sets the default measurement parameters, triggers a new measurement and returns the Channel Power (Current User Set Unit), Occupied Bandwidth, Channel Power (Watts) and Peak to Average Power measurement results. It is a combination of the following commands :CONFigure:RF SPECTrum; :READ:RF:SPECTrum? To make an RF Spectrum measurement with settings other than the default values send:

:CONFigure:RF SPECTrum

Commands to set desired settings

:READ:RF:SPECTrum?

Data is returned as 4 comma-delimited values: Channel Power in the current user set unit (dBm/W/mW), Occupied bandwidth in Hz, Channel Power in fW, and Peak to Average Power in dB.

Related Command: :CONFigure:RF SPECTrum
:READ:RF:SPECTrum?
:FETCh:RF:SPECTrum?

Front Panel Access: Measurement, RF, Channel Spectrum

:MEASure:RF:SUMMary?

Title: Measure RF Summary

Description: Sets the active measurement to RF Summary, sets the default measurement parameters, triggers a new measurement and returns Channel Power, Pilot & MAC Power, Frequency Error, Spurious Emission, Occupied Bandwidth, Idle Activity, Active Activity, ON/OFF Ratio, Peak to Avg Power. It is a combination of the following commands :CONFigure:RF SUMMary; :READ:RF:SUMMary?

To make a RF Summary measurement with settings other than the default values send:

:CONFigure:RF SUMMary Commands to set desired settings :READ:RF:SUMMary?

Data is returned as 9 comma-delimited values: Channel Power, Pilot & MAC Power, Frequency Error, Spurious Emission, Occupied Bandwidth, Idle Activity, Active Activity, ON/OFF Ratio, Peak to Avg Power. All invalid values are replaced with "--". Power units are in watt or dBm as per what is set by the user. Frequency is always in Hz..

Related Command: :CONFigure:RF SUMMary
:READ:RF:SUMMary?
:FETCh:RF:SUMMary?

Front Panel Access: Measurements, RF, RF Summary

11-9 :READ Subsystem

This set of commands combines the ABORt, INITiate and FETCh commands. It aborts any current triggering sequence and sets the trigger state to idle. It then initiates a new active measurement (i.e. begins the collection of new data). When the measurement is complete, it returns the result. These commands will not switch to another measurement.

To get the current measurement data, use the FETCh command.

:READ:OTA:MPATH?

Title: Read OTA Multipath

Description: Triggers a new measurement and returns six Ec/Io values, six Tau values, Channel Power, and Multipath Power. It is a combination of the following commands :ABORt; :INITiate; :FETCh:OTA:MPATH? In order for the data to be accurate, the Multipath measurement must be the active measurement (specified by :CONFigure:OTA MPATH. The current measurement can be queried using :CONFigure?

Data is returned as 14 comma-delimited values: six Ec/Io Values in dB, six Tau values in ps, Channel Power in the current user set unit (dBm/W/mW), and Multipath Power in dB. All invalid values are replaced with "--".

Related Command: :CONFigure:OTA MPATH
:MEASure:OTA:MPATH?
:FETCh:OTA:MPATH?

Front Panel Access: Measurement, OTA, Multipath

:READ:PFail?

Title: Read PASS/FAIL

Description: Triggers a new PASS/FAIL measurement and returns the results. It is a combination of the commands :ABORt; :INITiate; FETCh:PFail? The PASS/FAIL measurement must be active. The current measurement can be queried using :CONFigure?

Related Command: :MEASure:PFail?
:CONFigure PFail
:FETCh:PFail?

Front Panel Access: Shift-4 (Measurement), PASS/FAIL

:READ:RF:ACPR?

Title: Read Adjacent Channel Power Ratio

Description: Triggers a new measurement, and returns the power levels for each of the adjacent and main channels (9 total). It is a combination of the commands :ABORT; :INITiate; :FETCh:RF:ACPR? In order for the data to be accurate, the ACPR measurement must be the active measurement (specified by :CONFigure:RF ACPR. The current measurement can be queried using :CONFigure?

Data is returned as 9 comma-delimited values: The Absolute Adjacent Channel 1 Power, Absolute Adjacent Channel 2 Power, Absolute Main Channel 1 Power, Absolute Main Channel 2 Power, Absolute Main Channel 3 Power, Absolute Main Channel 4 Power, Absolute Main Channel 5 Power, Absolute Adjacent Channel 3 Power, Absolute Adjacent Channel 4 Power. All values are returned in dBm. Note that the values for all five main channel carriers are shown even if the number of carriers set on the instrument is below five.

Related Command: :FETCh:RF:ACPR?
:CONFigure:RF ACPR
:MEASure:RF:ACPR?

Front Panel Access: Measurement, RF, ACPR

:READ:RF:EMISsion?

Title: Read RF Spurious Emission

Description: Triggers a new measurement and returns the Marker Amplitude, Marker Frequency, RBW, a Pass/Fail assessment, and the Mask Boundary Frequency for all markers/boundaries. It is a combination of the following commands :ABORT; :INITiate; :FETCh:RF:EMISsion? In order for the data to be valid, the Spurious Emission measurement must be the active measurement (specified by :CONFigure:RF EMISsion. The current measurement can be queried using :CONFigure?

Data is returned as 5 comma-delimited values for each marker/boundary (40 values total): Marker Amplitude in dB, Marker Frequency in Hz, RBW in Hz, Pass/Fail, and Mask Boundary Frequency in Hz. Markers that are not on will return “-” for Marker Amplitude, Marker Frequency, RBW, and Pass/Fail. All Mask Boundary Frequencies will show normally.

Related Command: :CONFigure:RF EMISsion
:MEASure:RF:EMISsion?
:FETCh:RF:EMISsion?

Front Panel Access: Measurement, RF, Spurious Emission

:READ:RF:SPECTrum?

Title: Read RF Spectrum

Description: Triggers a new measurement and returns the Channel Power (Current User Set Unit), Occupied Bandwidth, Channel Power (Watts) and Peak to Average Power measurement results. It is a combination of the following commands :ABORT; :INITiate; :FETCh:RF:SPECTrum? In order for the data to be accurate, the Channel Spectrum measurement must be the active measurement (specified by :CONFigure:RF SPECTrum). The current measurement can be queried using :CONFigure?

Data is returned as 4 comma-delimited values: Channel Power in the current user set unit (dBm/W/mW), Occupied bandwidth in Hz, Channel Power in fW, and Peak to Average Power in dB.

Related Command: :FETCh:RF:SPECTrum?
:CONFigure:RF SPECTrum
:MEASure:RF:SPECTrum?

Front Panel Access: Measurement, RF, Channel Spectrum

:READ:RF:SUMMary?

Title: Read RF Summary

Description: Triggers a new RF Summary measurement and returns the results. It is combination of the commands :ABORT; :INITiate; FETCh:RF:SUMMary? The current measurement can be queried using :CONFigure?

Data is returned as 9 comma-delimited values: Channel Power, Pilot & MAC Power, Frequency Error, Spurious Emission, Occupied Bandwidth, Idle Activity, Active Activity, ON/OFF Ratio, Peak to Avg Power. All invalid values are replaced with "--". Power units are in watt or dBm as per what is set by the user. Frequency is always in Hz.

Related Command: :CONFigure:RF SUMMary
:READ:RF:SUMMary?
:FETCh:RF:SUMMary?

Front Panel Access: Measurements, RF, RF Summary

11-10 :TRACe Subsystem

This subsystem contains commands related to the transfer of trace data to and from the instrument.

:TRACe:PREamble? <trace type>

Title: Trace Header Transfer

Description: Returns trace header information for the specified trace. The <trace type> must be one of the following: SPECTrum | EMISsion | CDPMac | CDPData | PSCAn | MPATH.

Data can be transferred to and from the 6 available display trace types. Use the commands in the MMEMory subsystem to store and recall traces from the instrument memory. The response begins with an ASCII header. The header specifies the number of following bytes. It looks like #AX, where A is the number of digits in X and X is the number of bytes that follow the header.)

Parameters are returned in comma-delimited ASCII format. Each parameter is returned as "NAME=VALUE[UNITS]," Valid parameter names are shown in "EVDO Parameter Names" on page 2-28.

Parameter: <trace type>

Related Command: :TRACe:DATA?

:TRACe[:DATA]? <trace type>

Title: Trace Data Transfer

Description: This command transfers trace data from the instrument to the controller. The <trace type> must be one of the following:

SPECTrum | EMISsion | CDPMac | CDPData | PSCAn | MPATh | ACPR.

The format of the block data in the query form is specified by :FORMAt:DATA. The block data in the command form is always sent in ASCII format. The response begins with an ASCII header that specifies the number of data bytes. It looks like #AX, where A is the number of digits in X and X is the number of bytes that follow the header. Each data point is separated by a comma delimiter. Trace setup information can be acquired using :TRACe[:DATA]:PREAmble?. Use the commands in the MMEMory subsystem to store and recall traces from the instrument memory.

The RF measurements ACPR and Channel Spectrum both only have one value per data point that is returned in dBm. Each value is 4 bytes.

For the RF Spurious Emission measurement, each data point will have two values. The first value is the wave data, while the second value is the mask data. Both values are four bytes and returned in dBm.

Power vs. Time data points have three values each. The first value is the wave data. The second value is the upper mask data. The third value is the lower mask data. All values are returned in dB and are 4 bytes each.

The Demodulator Code Domain Power MAC measurement has four values per data point. The first value is the point number, which has no unit. The second value is the relative power returned in dB. The third value is the absolute power returned in dBm. The fourth value is the type, which is defined in the following.

Return Value	Signal Type	Color
0	Noise	Grey
1	IS95 Traffic	Yellow
2	CDMA2000 Traffic	Orange
3	CDMA2000 Traffic	Orange
4	Pilot	Red
5	Sync	Blue
6	Page	Green
7	Q Page	Purple

For the Code Domain Power Data measurement, each data point has six values. The first value is the point number, which has no unit. The second value is the relative I Data Magnitude, which is returned in dB. The third value is the absolute I Data Magnitude returned in dBm. The fourth value is the relative Q Data Magnitude returned in dB. The fifth value is the absolute Q Data Magnitude returned in dBm. The sixth value is the type, which follows the table above in terms of returned values. All values are four bytes each.

Both of the Over the Air (OTA) measurements, Pilot Scan and Multipath, will have three values per data point. The first value is the type, which can be 0 (Noise, Grey), 1 (Primary, Blue), and 2 (Secondary, Red), or. The second value is the Ec/Io returned in dB. The third value is Tau returned in s. All three values are the same for both measurements and are 4 bytes each.

Note that the instrument must be set in the selected view. Use the CONFigure command to set the unit to the selected view.

Parameter: <trace type>

Related Command: :FORMat [:DATA]
:TRACe [:DATA]:PREamble?

11-11 :TRIGger Subsystem

This subsystem contains commands related to the triggering of instrument functions for the purposes of synchronization. Related commands appear in the ABORt and INITiate subsystems.

:TRIGger:SEQuence:SLOPe RISing|FALLing

:TRIGger:SEQuence:SLOPe?

Title: External Trigger Polarity

Description: This command sets the external trigger polarity. Note that this setting can only be changed when the PN Type is set to "EXT".

Parameter: RISing|FALLing

Parameter Type: <char>

Default Value: RISing

Default Unit: NA

Range: RISing, FALLing

Related Command: [:SENSe]:PN:TRIGger
[:SENSe]:PN:TRIGger?

Front Panel Access: Setup, Ext Trigger Polarity

11-12 :UNIT Subsystem

The unit subsystem is used to modify the default units used for related parameters. These changes affect parameters in both commands and responses.

:UNIT:POWER DBM|W

:UNIT:POWER?

Title: Measurement Units

Description: Sets the default amplitude units for input, output and display.

Parameter: DBM|W

Parameter Type: <char>

Default Value: dBm

Front Panel Access: Amplitude, Units, Unit of Measure

11-13 [:SENSE] Subsystem

The commands in this subsystem relate to device-specific parameters, not signal-oriented parameters.

[:SENSE]:ACPower:BANDwidth|:MAIN <freq>

[:SENSe]:ACPower:BANDwidth|:MAIN?

Title: ACPR Main Channel Bandwidth

Description: Sets the main channel carrier bandwidth. The <freq> value must be 1.23|1.24|1.25.

Parameter: <freq>

Default Value: 1.25 MHz

Default Unit: MHz

Range: 1.23 MHz, 1.24 MHz, 1.25 MHz

Front Panel Access: Setup, Carrier BW (MHz)

[:SENSe]:DEMod:CDPower:UNITs RELative|ABSolute

[:SENSe]:DEMod:CDPower:UNITs?

Title: Code Domain Power Unit Type

Description: Sets the Code Domain Power unit type. The query form returns either a "REL" for relative units, or an "ABS" for absolute units in Ascii (without the double quotes).

Parameter: RELative|ABSolute

Parameter Type: <char>

Default Value: RELative

Range: RELative, ABSolute

Front Panel Access: Measurement, Demodulator, CDP, CDP Units

[:SENSE]:DEMod:CDPower:ZOOM 16|32|64

[:SENSe]:DEMod:CDPower:ZOOM?

Title: Code Domain Power Zoom

Description: Sets the zoom for the Code Domain Power measurement. The query form returns either 16, 32, or 64.

Parameter: 16|32|64

Default Value: 16

Range: 16, 32, 64

Related Command: [:SENSe]:DEMod:CDPower:ZOOM:START
[:SENSe]:DEMod:CDPower:ZOOM:START?

Front Panel Access: Measurement, Demodulator, CDP MAC, Zoom

[:SENSe]:DEMod:CDPower:ZOOM:START <integer>

[:SENSe]:DEMod:CDPower:ZOOM:START?

Title: Code Domain Power Zoom Start Index

Description: Sets the zoom start index for the Code Domain Power measurement.

Parameter: <integer>

Parameter Type: <integer>

Default Value: 0

Range: 0 to 112

Related Command: [:SENSe]:DEMod:CDPower:ZOOM
[:SENSe]:DEMod:CDPower:ZOOM?

Front Panel Access: Measurement, Demodulator, CDP Mac, Zoom Start Index

[:SENSe]:FREQUENCY:CENTER <freq>

[:SENSe]:FREQUENCY:CENTER?

Title: Center Frequency

Description: Sets the center frequency.

Parameter: <freq>

Default Value: 1 GHz

Default Unit: Hz

Range: 1 MHz to 2.7 GHz

Front Panel Access: Freq, Center Freq

[:SENSe]:FREQUENCY:SIGStandard <index>

[:SENSe]:FREQUENCY:SIGStandard?

Title: Signal Standard

Description: Selects the desired signal standard from the list. The <index> argument is a 1-based index of the position of the desired signal standard in the instrument's current signal standard list. The list can be seen on the instrument by choosing the "Signal Standard" soft-key button in the "Frequency" menu. The list can also be downloaded remotely and viewed using Anritsu Master Software Tools. For example, if the desired Signal Standard is the 3rd item on the list then the value of the <index> argument would be 3.

The query form of this command will return the index of the currently-selected Signal Standard on the list.

Parameter: <index>

Front Panel Access: Frequency, Signal Standard

[:SENSe]:FREQUENCY:SIGStandard:CHANnel <number>

[:SENSe]:FREQUENCY:SIGStandard:CHANnel?

Title: Channel Selection

Description: Sets the channel number for the selected signal standard.

Parameter: <number>

Front Panel Access: Frequency, Channel

[:SENSe]:FREQuency:SPAN?

Title: Frequency Span

Description: This is a query command only. The user can not set the span in CDMA or EVDO modes.

Parameter: <freq>

Default Unit: Hz

[:SENSe]:PFail <test set>**[:SENSe]:PFail?**

Title: PASS/FAIL Test Selection

Description: Selects the active test set to be used in subsequent PASS/FAIL measurements. The <test set> value must correspond to a test set that is defined in the test set list. To view the list on the instrument, go into the "Measurement" menu, press the "Pass/Fail Mode" key, and then press the "Select Pass/Fail Test" soft key. Alternatively, the list can be retrieved remotely and viewed using the Anritsu Master Software Tools. The <test set> argument is a 1-based index of the position of the desired Pass/Fail test set in the instrument's current Pass/Fail test set list. For example, if the desired Pass/Fail test is the 3rd item on the list then the value of the <test set> argument would be 3.

When using the query form of the command, the return value is the currently selected test set number. If there is not a valid test set selected, the return value is "-1" (negative 1).

Parameter: <test set>

Related Command: :CONFigure PFail

Front Panel Access: Measurement, Pass Fail Mode, Select Pass/Fail Test

[:SENSe]:PN:OFFSet <integer>**[:SENSe]:PN:OFFSet?**

Title: PN Offset

Description: Sets the PN offset. Note that this can only be changed when PN Trigger is set to "GPS", or "EXT". A return value of the PN offset query is invalid when PN search type is AUTO.

Parameter: <integer>

Parameter Type: <integer>

Default Value: 0

Range: 0 to 511

Related Command: [:SENSe]:PN:TRIGger
[:SENSe]:PN:TRIGger?
[:SENSe]:PN:STYPe [:SENSe]:PN:STYPe?

Front Panel Access: Setup, PN Setup, PN Offset

[:SENSE]:PN:SType:AUTO 1|0|ON|OFF

[:SENSE]:PN:SType:AUTO?

Title: PN Search Type

Description: Sets the PN search type. The default value is ON. That is, sending :SENSE:PN:SType:AUTO is equivalent to sending :SENSE:PN:SType:AUTO ON. The query form returns either a 1 for ON, or a 0 for OFF. Note that this can only be changed when PN Trigger is set to "GPS", or "EXT".

Parameter: 1|0|ON|OFF

Parameter Type: <boolean>

Default Value: 1

Range: ON, OFF

Related Command: [:SENSE]:PN:TRIGger
[:SENSE]:PN:TRIGger?
[:SENSE]:PN:OFFSet [:SENSE]:PN:OFFSet?

Front Panel Access: Setup, PN Setup, PN Search Type

[:SENSE]:PN:TRIGger NOTRig|GPS|EXT

[:SENSE]:PN:TRIGger?

Title: External PN Trigger

Description: Sets the external PN trigger. The query form returns either "NOTRIG", "GPS", or "EXT" in Ascii (without the double quotes).

Parameter: NOTRIG|GPS|EXT

Parameter Type: <char>

Default Value: NOTRIG

Range: NOTRIG, GPS, EXT

Related Command: [:SENSE]:PN:SType
[:SENSE]:PN:SType?
[:SENSE]:PN:OFFSet [:SENSE]:PN:OFFSet?

Front Panel Access: Setup, PN Setup, PN Trigger

[:SENSE]:POWer[:RF]:RANGe:AUTO OFF|ON|0|1

[:SENSE]:POWer[:RF]:RANGe:AUTO?

Title: Automatic Amplitude Range

Description: Sets the automatic amplitude range. Setting the value to ON or 1 will result in the amplitude range being coupled to the detected input signal level. Setting the value to OFF or 0 will result in the input attenuation being un-coupled from the input signal level. That is, changing the input signal level will not change the amplitude range. When this command is issued, the amplitude range itself will not change. The default value is ON. That is, sending :SENS:POW:RANG:AUTO is equivalent to sending :SENS:POW:RANG:AUTO ON.

Parameter: OFF|ON|0|1

Parameter Type: <boolean>

Default Value: ON

Related Command: [:SENSE]:POWer[:RF]:RANGe

Front Panel Access: Amplitude, Auto Range

[:SENSe]:POWer[:RF]:RANGe[:IMMediate]

Title: Amplitude Range

Description: Re-calculates amplitude range. Note that issuing this command will set the automatic dynamic range OFF.

Related Command: [:SENSe]:POWer[:RF]:RANGe:AUTO

Front Panel Access: Amplitude, Adjust Range

[:SENSe]:RF:ACPR:MAINchannelcount <integer>**[:SENSe]:RF:ACPR:MAINchannelcount?**

Title: Main Channel Carrier Count

Description: Sets the number of main channel carriers.

Parameter: <integer>

Parameter Type: <integer>

Default Value: 1

Range: 1 to 5

Front Panel Access: Setup, Number of Carriers

[:SENSe]:SWEep:SPEEd FAST|NORM|SLOW**[:SENSe]:SWEep:SPEEd?**

Title: Measurement Speed

Description: Sets the measurement speed. The query form returns either "FAST", "NORM", or "SLOW" in Ascii (without the double quotes).

Parameter: FAST|NORM|SLOW

Parameter Type: <char>

Default Value: Norm

Range: FAST, NORM, SLOW

Front Panel Access: Setup, Meas Speed

[:SENSe]:WCODe 64|128**[:SENSe]:WCODe?**

Title: Walsh Codes

Description: Sets the Walsh codes.

Parameter: 64|128

Default Value: 128

Range: 64, 128

Front Panel Access: Setup, Walsh Codes

Chapter 12 — Fixed WiMAX Commands

12-1 :ABORt Subsystem

The abort subsystem includes commands that allow the user to stop current measurement activities on the instrument.

:ABORt

Title: Abort

Description: Restarts the current sweep and/or measurement. Resets the trigger system. If :INITiate:CONTinuous is OFF (i.e. the instrument is in single sweep mode), send the command :INITiate[:IMMediate] to trigger the next sweep. If :INITiate:CONTinuous is ON (i.e. the instrument is in continuous sweep mode) a new sweep will start immediately.

Parameter: NA

Related Command: :INITiate:CONTinuous
:INITiate[:IMMediate]

Front Panel Access: Shift-3 (Sweep), Reset Sweep

12-2 :CONFigure Subsystem

This set of commands prepares the instrument for the selected measurement. It disables any currently-enabled measurements and activates the specified measurement. It sets the instrument to single sweep mode, waiting for an :INITiate command. It will not initiate the taking of a measurement.

Current instrument settings may be changed to default values. These changes are identified with their respective measurement commands.

:CONFigure SUMMary

Title: Configure Summary Measurement

Description: This command configures the summary of all the related numerical measurement results. It disables any other active measurements. None of the instrument parameters are changed by the execution of this command. Sets the instrument to single sweep mode (:INITiate:CONTinuous OFF). Measurement settings can be modified by using the [:SENSe] commands before initiating a measurement.

Parameter: SUMMary

Parameter Type: <char>

Front Panel Access: Shift-4 (Measurement) , WiMAX Summary

:CONFigure:DEMod <char>

Title: Configure Demodulation Measurement

Description: Valid <char> parameters are:
SUMMary | CONSTln | SFLatness | EVSCarrier | EVSYmbol.

This command configures the selected demodulation measurement. It disables any other active measurements. None of the instrument parameters are changed by the execution of this command. Sets the instrument to single sweep mode (:INITiate:CONTinuous OFF). Measurement settings can be modified by using the [:SENSe]:DEMod commands before initiating a measurement.

When the SUMMARY option is selected, the measurement results are equivalent to the results that are displayed by choosing Measurements, then Demodulator, then Modulation Summary from the front panel. When the CONSTln option is selected, the measurement results are equivalent to the results that are displayed by choosing Measurements, then Demodulator, then Constellation from the front panel. When the SFLatness option is selected, the measurement results are equivalent to the results that are displayed by choosing Measurements, then Demodulator, then Spectral Flatness from the front panel. When the EVSCarrier option is selected, the measurement results are equivalent to the results that are displayed by choosing Measurements, then Demodulator then EVM vs Sub Carrier from the front panel. When the EVSYmbol option is selected, the measurement results are equivalent to the results that are displayed by choosing Measurements, then Demodulator then EVM vs Symbol from the front panel.

Parameter: <char>

Front Panel Access: Shift-4 (Measurement), Demodulator

:CONFigure PFail

Title: Configure PASS/FAIL Measurement

Description: This command configures the PASS/FAIL measurement. It disables any other active measurements. None of the instrument parameters are changed by the execution of this command. Sets the instrument to single sweep mode (:INITiate:CONTinuous OFF). Measurement settings can be modified by using the [:SENSe] commands before initiating a measurement. The measurement results are equivalent to the results that are displayed by choosing Measurements, then PASS/FAIL from the front panel.

Parameter: PFail

Related Command: :FETCh:PFail?
MEASure:PFail?
READ:PFail?

Front Panel Access: Shift-4 (Measurement), PASS/FAIL Mode

:CONFigure:RF <char>

Title: Configure RF Measurement

Description: Valid parameter options: SUMMary | SPECtrum | PVTTime | ACPR

This command configures the selected RF measurement. It disables any other active measurements. None of the instrument parameters are changed by the execution of this command. Sets the instrument to single sweep mode (:INITiate:CONTinuous OFF). Measurement settings can be modified by using the [:SENSe]:RF commands before initiating a measurement.

When the SUMMary option is selected, the measurement results are equivalent to the results that are displayed by choosing Measurements, then RF, then RF Summary from the front panel. When the SPECtrum option is selected, the measurement results are equivalent to the results that are displayed by choosing Measurements, then RF, then Spectrum from the front panel. When the PVTTime option is selected, the measurement results are equivalent to the results that are displayed by choosing Measurements, then RF, then Power vs Time from the front panel. When the ACPR option is selected, the measurement results are equivalent to the results that are displayed by choosing Measurements, then RF, then ACPR from the front panel.

Parameter: <char>

Related Command: [:SENSe]:FREQuency
[:SENSe]:RF:ACLR:MAINchannelcount
[:SENSe]:RF:ACLR:ADJCchannelcount

12-3 :DISPlay Subsystem

This subsystem provides commands that modify the display of data for the user. They do not modify the way in which data are returned to the controller.

:DISPlay:WINDow:TRACe:MAXHold OFF|ON|0|1

:DISPlay:WINDow:TRACe:MAXHold?

Title: Max Hold State

Description: Specifies whether the Max Hold is ON or OFF. The default value is ON. That is, sending :DISP:WIND:TRAC:MAXH is equivalent to sending :DISP:WIND:TRAC:MAXH ON. The query version of the command returns a 1 if Max Hold is set to ON and returns a 0 if the Max Hold is set to OFF. Note that this command is available only in the Spectrum and EVM vs. Sub-carrier views.

Parameter: OFF|ON|0|1

Parameter Type: <boolean>

Default Value: 0

Front Panel Access: Shift-5 (Trace), Max Hold

:DISPlay:WINDow:TRACe:Y[:SCALE]:OFFSet <rel ampl>

:DISPlay:WINDow:TRACe:Y[:SCALE]:OFFSet?

Title: Power Offset

Description: Sets the power offset value for the y-axis.

Parameter: <rel ampl>

Default Value: 0 dB

Default Unit: dB

Range: 0 dB to 100 dB

Front Panel Access: Amplitude, Power Offset

:DISPlay:WINDow:TRACe:Y[:SCALE]:PDIVision <value>

:DISPlay:WINDow:TRACe:Y[:SCALE]:PDIVision?

Title: Scale Resolution Per Division

Description: Sets the scale per division for the y-axis. The units change from dB/div to % when EVM is the y-axis value. The resolution per division value is maintained separately for each measurement.

Parameter: <value>

Default Value: Spectral Flatness: 1 dB/div
EVM vs. SubCarrier: 0.50%
EVM vs. Symbol: 0.50%
All others: 10dB/div

Default Unit: Current active amplitude unit

Range: EVM vs. SubCarrier: 0.1 % to 10 %
EVM vs. SubCarrier: 0.1 % to 10 %
All others: 1 dB to 15 dB

:DISPlay:WINDow:TRACe:Y[:SCALE]:TOP <amplitude>

:DISPlay:WINDow:TRACe:Y[:SCALE]:TOP?

Title: Y Axis Max

Description: Sets the maximum value of the Y axis. Note that this command is available only in the Spectral Flatness and EVM vs. Symbol/Sub-carrier views.

Parameter: <amplitude>

Default Value: Spectral Flatness: 5dB
EVM vs. Symbol: 5%
EVM vs. Sub-carrier: 5%

Default Unit: Current active amplitude unit

Range: Spectral Flatness: -5 to 5
EVM vs. Symbol: 1% to 100%
EVM vs. Sub-carrier: 1% to 100%

Front Panel Access: Amplitude, Y Axis Max

12-4 :FETCh Subsystem

This set of commands returns the most recent measurement data of the active measurement. They will not switch to another measurement.

To make a new measurement, use the INITiate command. To get new measurement data, use the READ or MEASure query commands.

:FETCh:DEMod:CONStln?

Title: Fetch Constellation

Description: Returns the constellation of the demodulated data symbol over one frame measurement results.

Data is returned as 8 comma-delimited values: EVM (rms) in %, EVM (pk) in %, RCE (rms) in dB, RCE (pk) in dB, Carrier Frequency in MHz, Freq Error in MHz, Freq Error in ppm, and the Base Station ID. "--" is returned for each data that is not valid at that instance.

:FETCh:DEMod:EVSCarrier?

Title: Fetch EVM vs. Sub Carrier

Description: Returns the EVM vs. Sub Carrier measurement results.

Data is returned as 8 comma-delimited values: EVM (rms) in %, EVM (pk) in %, RCE (rms) in dB, RCE (pk) in dB, Carrier Frequency in MHz, Freq Error in MHz, Freq Error in ppm, and the Base Station ID. "--" is returned for each data that is not valid at that instance.

:FETCh:DEMod:EVSymbol?

Title: Fetch EVM vs. Symbol

Description: Returns the EVM vs. Symbol measurement results.

Data is returned as 8 comma-delimited values: EVM (rms) in %, EVM (pk) in %, RCE (rms) in dB, RCE (pk) in dB, Carrier Frequency in MHz, Freq Error in MHz, Freq Error in ppm, and the Base Station ID. "--" is returned for each data that is not valid at that instance.

:FETCh:DEMod:SFLatness?

Title: Fetch Spectral Flatness

Description: Returns the absolute delta of the power between adjacent sub carriers in dB. "--" is returned for data that is not valid at that instance.

:FETCh:PFail?

Title: Fetch PASS/FAIL

Description: Returns the most recent PASS/FAIL measurement results. Measurement results are returned in a block of ASCII text in the format of <header><block>. The ASCII header specifies the number of data bytes. It looks like #AX, where A is the number of digits in X and X is the number of bytes in the <block>. The block consists of a set of records which indicate individual test results. Records are comma-separated. Each record follows the format <test ID>: <input1> <input2> <min> <max> <value1> <value2> <PASS/FAIL/OPTION NOT INSTALLED>. The <test ID> field indicates which test was performed to retrieve these results. The < input1> and < input2> fields indicate the test setup. The <min> and <max> fields indicate the minimum and maximum values against which <value1> and <value2> were compared to arrive at the final PASS/FAIL result. If the specified test is not available in the instrument, the <PASS/FAIL> field will indicate "option not available" instead of "pass" or "fail". All unused fields for a given test are represented by a double dash ("-"). To receive valid measurements, the Pass/Fail measurement must be the active. The current measurement can be queried using CONFigure?. Use the :CONFigure:PFail to set Pass/Fail as the active measurement.

Related Command: MEASure:PFail?
:CONFigure:PFail
READ:PFail?

:FETCh:RF:ACPR?

Title: Fetch Adjacent Channel Power Ratio

Description: Returns the most recent adjacent channel power ratio measurement results.

Data is returned as 11 comma-delimited values: The Channel Power in dBm, relative adjacent channel 1 power level, absolute adjacent channel 1 power level, relative adjacent channel 2 power level, absolute adjacent channel 2 power level, relative adjacent channel 3 power level, absolute adjacent channel 3 power level, relative adjacent channel 4 power level, absolute adjacent channel 4 power level, relative adjacent channel 5 power level, absolute adjacent channel 5 power level. The relative adjacent channel power level is in dB and the absolute adjacent channel power level is in dBm. "-" is returned for each data that is not valid at that instance.

Related Command: :CONFigure:RF ACPR
:MEASure:RF:ACPR?
:READ:RF:ACPR?

Front Panel Access: CDMA, EVDO: Measurement, RF, ACPR

:FETCh:RF:PVTime?

Title: Fetch Power vs. Time

Description: Returns the most recent WiMAX 802.16-2004 OFDM signal over approximately one frame time domain measurement results.

Data is returned as 4 comma-delimited values: The Channel Power in dBm, Preamble power in dBm, burst power of data bursts in dBm, and the Crest Factor in dB. "-" is returned for each data that is not valid at that instance.

:FETCh:RF:SPECTrum?

Title: Fetch RF Spectrum

Description: Returns the most recent RF Spectrum measurement results.

Data is returned as 2 comma-delimited values: Channel Power(RSSI) in dBm and Occupied bandwidth measurement in MHz. "--" is returned for each data that is not valid at that instance.

Related Command: :CONFIgure:RF SPECTrum
:MEASure:RF:SPECTrum?
:READ:RF:SPECTrum?

Front Panel Access: CDMA, EVDO, TDSCDMA: Measurement, RF, Channel Spectrum

12-5 :FORMat Subsystem

This subsystem contains commands that determine the formatting of numeric data when it is transferred.

The format setting affects data in specific commands only. If a command is affected, it is noted in the command description.

:FORMat[:READings][:DATA] ASCii|INTeger,32|REAL,32
:FORMat[:READings][:DATA]?

Title: Numeric Data Format

Description: This command specifies the format in which data is returned in certain commands.

ASCii format returns the data in comma-separated ASCII format. The units are the current instrument units. This format requires many more bytes so it is the slowest format. INTeger,32 values are signed 32-bit integers in little-endian byte order. This format returns the data in 4-byte blocks. (WCDMA and Cable & Antenna only: The units are always mdBm. For example, if the measured result was -12.345 dBm, that value would be sent as -12345.) REAL,32 values are 32-bit floating point numbers conforming to the IEEE 754 standard in little-endian byte order. This format returns the data in 4-byte binary format. The units are the current instrument units.

Both INTeger,32 and REAL,32 formats return a definite block length. Each transfer begins with an ASCII header such as #42204. The first digit represents the number of following digits in the header (in this example, 4). The remainder of the header indicates the number of bytes that follow the header (in this example, 2204). You then divide the number of following bytes by the number of bytes in the data format you've chosen (4 for both INTeger,32 and REAL,32) so 2204/4) to get the number of data points (in this example, 551).

Parameter: ASCii|INTeger,32|REAL,32

Parameter Type: <char>

Default Value: ASCii

Related Command: :TRACe[:DATA]

12-6 :INITiate Subsystem

This subsystem controls the triggering of measurements.

:INITiate:CONTinuous OFF|ON|0|1

:INITiate:CONTinuous?

Title: Continuous/Single Sweep

Description: Specifies whether the sweep/measurement is triggered continuously. If the value is set to ON or 1, another sweep/measurement is triggered as soon as the current one completes. If continuous is set to OFF or 0, the instrument enters the “idle” state and waits for the :INITiate[:IMMediate] command or for :INITiate:CONTinuous ON. The default value is ON. That is, sending :INIT:CONT is equivalent to sending :INIT:CONT ON. The query version of the command returns a 1 if the instrument is continuously sweeping/measuring and returns a 0 if the instrument is in single sweep/measurement mode. Note that rapid toggling between ON and OFF is not allowed. The instrument must be allowed to make a full sweep before toggling can be done. Note that the set command is available only if the instrument is in Cable & Antenna mode.

Parameter: OFF|ON|0|1

Parameter Type: <boolean>

Default Value: ON

Related Command: :INITiate[:IMMediate]
:INITiate:HOLD

Front Panel Access: Shift-3 (Sweep), Sweep (Single/Continuous)

:INITiate[:IMMediate]

Title: Trigger Sweep/Measurement

Description: Initiates a sweep/measurement. If :INITiate:CONTinuous is set to ON, this command is ignored. Use this command in combination with :STATus:OPERation? to synchronize the capture of one complete set of data. When this command is sent, the “sweep complete” bit of :STATus:OPERation? is set to 0, indicating that the measurement has not completed. The data collection is then triggered. The controlling program can poll :STATus:OPERation? to determine the status. When the “sweep complete” bit is set to 1, data is ready to be retrieved.

Related Command: :INITiate:CONTinuous
:STATus:OPERation?

Front Panel Access: Shift-3 (Sweep), Trigger Sweep

12-7 :MEASure Subsystem

These commands take the instrument from its current state, enable the specified measurement and put the instrument into single sweep mode. They correct any parameters that are invalid given the new measurement state such that a valid measurement can take place. Other settings may be changed; see the documentation of CONFigure for each measurement. They then initiate the measurement. When the measurement is complete, they return the result.

To make a measurement with settings other than the “default” measurement settings applied by CONFigure, do the following:

- Send the appropriate CONFigure command to set the desired measurement.
- Modify the settings as required.
- Send the appropriate READ command to measure and return the result.

To get the current measurement data, use the appropriate FETCh command.

:MEASure:DEMod:CONStln?

Title: Measure Constellation

Description: Sets the active measurement to Constellation, sets the default measurement parameters, triggers a new measurement, and returns the EVM (rms), EVM (pk), RCE (rms), RCE (pk), Carrier Frequency, Freq Error, Freq Error, and the Base Station ID. It is a combination of the commands :CONFigure:DEMod CONStln; :READ:DEMod:CONStln? To make a Demodulated Constellation measurement with settings other than the default values send:

```
:CONFigure:DEMod CONStln
Commands to set desired settings
:READ:DEMod:CONStln?
```

Data is returned as 8 comma-delimited values: EVM (rms) in %, EVM (pk) in %, RCE (rms) in dB, RCE (pk) in dB, Carrier Frequency in MHz, Freq Error in MHz, Freq Error in ppm, and the Base Station ID.

Related Command: :READ:DEMod:CONStln?
:CONFigure:DEMod CONStln

:MEASure:DEMod:EVSCarrier?

Title: Measure EVM vs. Sub Carrier

Description: Sets the active measurement to EVM vs. Sub Carrier, sets the default measurement parameters, triggers a new measurement, and returns the EVM (rms), EVM (pk), RCE (rms), RCE (pk), Carrier Frequency, Freq Error, Freq Error, and the Base Station ID. It is a combination of the commands :CONFigure:DEMod EVSCarrier; :READ:DEMod:EVSCarrier? To make a EVM vs. Symbol measurement with settings other than the default values send:

```
:CONFigure:DEMod EVSCarrier
Commands to set the desired settings
:READ:DEMod:EVSCarrier?
```

Data is returned as 8 comma-delimited values: EVM (rms) in %, EVM (pk) in %, RCE (rms) in dB, RCE (pk) in dB, Carrier Frequency in MHz, Freq Error in MHz, Freq Error in ppm, and the Base Station ID.

Related Command: :READ:DEMod:EVSCarrier?
:CONFigure:DEMod EVSCarrier

:MEASure:DEMod:EVSymbol?

Title: Measure EVM vs. Symbol

Description: Sets the active measurement to EVM vs. Symbol, sets the default measurement parameters, triggers a new measurement, and returns the EVM (rms), EVM (pk), RCE (rms), RCE (pk), Carrier Frequency, Freq Error, Freq Error, and the Base Station ID. It is a combination of the commands :CONFigure:DEMod EVSYmbol; :READ:DEMod:EVSymbol? To make a EVM vs. Symbol measurement with settings other than the default values send:

```
:CONFigure:DEMod EVSYmbol
Commands to set the desired settings
:READ:DEMod:EVSymbol?
```

Data is returned as 8 comma-delimited values: EVM (rms) in %, EVM (pk) in %, RCE (rms) in dB, RCE (pk) in dB, Carrier Frequency in MHz, Freq Error in MHz, Freq Error in ppm, and the Base Station ID.

Related Command: :READ:DEMod:EVSymbol?
:CONFigure:DEMod EVSYmbol

:MEASure:DEMod:SFLatness?

Title: Measure Spectral Flatness

Description: Sets the active measurement to Spectral Flatness, sets the default measurement parameters, triggers a new measurement, and returns the absolute delta of the power between adjacent sub carriers in dB. It is a combination of the commands :CONFigure:DEMod SFLatness; :READ:DEMod:SFLatness? To make a Spectral Flatness measurement with settings other than the default values send:

```
:CONFigure:DEMod SFLatness
Commands to set desired settings
:READ:DEMod:SFLatness?
```

Related Command: :READ:DEMod:SFLatness?
:CONFigure:DEMod SFLatness

:MEASure:PFail?

Title: Measure PASS/FAIL

Description: Sets the active measurement to PASS/FAIL, sets the default measurement parameters, triggers a new measurement and returns the PASS/FAIL results. It is a combination of the commands :CONFigure:PFail; :READ:PFail? To make a channel power measurement with settings other than the default values send:

```
:CONFigure PFail
Commands to set desired settings
:READ:PFail?
```

Related Command: :CONFigure:PFail
READ:PFail?
FETCh:PFail?

Front Panel Access: Shift-4 (Measurement), PASS/FAIL

:MEASure:RF:ACPR?

Title: Measure Adjacent Channel Power Ratio

Description: Sets the active measurement to ACPR, sets the default measurement parameters, triggers a new measurement, and returns the power levels for each channel (both absolute and relative). It is a combination of the commands :CONFigure:RF ACPR; :READ:RF:SPECTrum? To make an RF ACPR measurement with settings other than the default values send:

:CONFigure:RF ACPR

Commands to set desired settings

:READ:RF:ACPR?

Data is returned as 11 comma-delimited values: The Channel Power in dBm, relative adjacent channel 1 power level, absolute adjacent channel 1 power level, relative adjacent channel 2 power level, absolute adjacent channel 2 power level, relative adjacent channel 3 power level, absolute adjacent channel 3 power level, relative adjacent channel 4 power level, absolute adjacent channel 4 power level, relative adjacent channel 5 power level, absolute adjacent channel 5 power level. The relative adjacent channel power level is in dB and the absolute adjacent channel power level is in dBm.

Related Command: :READ:RF:ACPR?
:CONFigure:RF ACPR
:FETCh:RF:ACPR?

Front Panel Access: Measurement, RF, ACPR

:MEASure:RF:PVTime?

Title: Measure Power vs. Time

Description: Sets the active measurement to Power vs. Time, sets the default measurement parameters, triggers a new measurement and returns the Channel Power, Preamble power, burst power of data bursts, and the Crest Factor. It is a combination of the following commands CONFigure:RF PVTime; :READ:RF:PVTime? To make an RF ACPR measurement with settings other than the default values send:

:CONFigure:RF PVTime

Commands to set desired settings

:READ:RF:PVTime?

Data is returned as 4 comma-delimited values: The Channel Power in dBm, Preamble power in dBm, burst power of data bursts in dBm, and the Crest Factor in dB.

Related Command: :READ:RF:PVTime?
:CONFigure:RF PVTime

:MEASure:RF:SPECTrum?

Title: Measure RF Spectrum

Description: Sets the active measurement to Spectrum, sets the default measurement parameters, triggers a new measurement and returns the Channel Power (RSSI) and Occupied bandwidth measurement. It is a combination of the following commands :CONFigure:RF SPECTrum; :READ:RF:SPECTrum? To make an RF Spectrum measurement with settings other than the default values send:

:CONFigure:RF SPECTrum

Commands to set desired settings

:READ:RF:SPECTrum?

Data is returned as 2 comma-delimited values: Channel Power (RSSI) in dBm Occupied bandwidth measurement in MHz.

Related Command: :CONFigure:RF SPECTrum

:READ:RF:SPECTrum?

:FETCh:RF:SPECTrum?

Front Panel Access: Measurement, RF, Channel Spectrum

12-8 :READ Subsystem

This set of commands combines the ABORT, INITiate and FETCh commands. It aborts any current triggering sequence and sets the trigger state to idle. It then initiates a new active measurement (i.e. begins the collection of new data). When the measurement is complete, it returns the result. These commands will not switch to another measurement.

To get the current measurement data, use the FETCh command.

:READ:DEMod:CONStIn?

Title: Read Constellation

Description: Triggers a new Constellation measurement and returns the results: EVM (rms), EVM (pk), RCE (rms), RCE (pk), Carrier Frequency, Freq Error, Freq Error, and the Base Station ID. The Constellation measurement must be the active measurement (specified by :CONFigure:DEMod CONStIn. The current measurement can be queried using the command :CONFigure?

Data is returned as 8 comma-delimited values: EVM (rms) in %, EVM (pk) in %, RCE (rms) in dB, RCE (pk) in dB, Carrier Frequency in MHz, Freq Error in MHz, Freq Error in ppm, and the Base Station ID.

Related Command: :FETCh:DEMod:CONStIn?
:CONFigure:DEMod CONStIn

:READ:DEMod:EVSCarrier?

Title: Read EVM vs. Sub Carrier

Description: Triggers a new EVM vs. Sub Carrier measurement and returns the results: EVM (rms), EVM (pk), RCE (rms), RCE (pk), Carrier Frequency, Freq Error, Freq Error, and the Base Station ID. The EVM vs. Sub Carrier measurement must be the active measurement (specified by :CONFigure:DEMod EVSCarrier. The current measurement can be queried using the command :CONFigure?

Data is returned as 8 comma-delimited values: EVM (rms) in %, EVM (pk) in %, RCE (rms) in dB, RCE (pk) in dB, Carrier Frequency in MHz, Freq Error in MHz, Freq Error in ppm, and the Base Station ID.

Related Command: :FETCh:DEMod:EVSCarrier?
:CONFigure:DEMod EVSCarrier

:READ:DEMod:EVSYmbol?

Title: Read EVM vs. Symbol

Description: Triggers a new EVM vs. Symbol measurement and returns the results: EVM (rms), EVM (pk), RCE (rms), RCE (pk), Carrier Frequency, Freq Error, Freq Error, and the Base Station ID. The EVM vs. Symbol measurement must be the active measurement (specified by :CONFigure:DEMod EVSYmbol. The current measurement can be queried using the command :CONFigure?

Data is returned as 8 comma-delimited values: EVM (rms) in %, EVM (pk) in %, RCE (rms) in dB, RCE (pk) in dB, Carrier Frequency in MHz, Freq Error in MHz, Freq Error in ppm, and the Base Station ID.

Related Command: :FETCh:DEMod:EVSYmbol?
:CONFigure:DEMod EVSYmbol

:READ:DEMod:SFLatness?

Title: Read Spectral Flatness

Description: Triggers a new Spectral Flatness measurement and returns the absolute delta of the power between adjacent sub carriers in dB. The Spectral Flatness measurement must be the active measurement (specified by :CONFigure:DEMod SFLatness. The current measurement can be queried using the command :CONFigure?

Related Command: :FETCh:DEMod:SFLatness?
:CONFigure:DEMod SFLatness

:READ:PFail?

Title: Read PASS/FAIL

Description: Triggers a new PASS/FAIL measurement and returns the results. It is a combination of the commands :ABORT; :INITiate; FETCh:PFail? The PASS/FAIL measurement must be active. The current measurement can be queried using :CONFigure?

Related Command: MEASure:PFail?
:CONFigure PFail
FETCh:PFail?
:CONFigure:PFail

Front Panel Access: Shift-4 (Measurement), PASS/FAIL

:READ:RF:ACPR?

Title: Read Adjacent Channel Power Ratio

Description: Triggers a new Adjacent Channel Power Ratio measurement and returns the results: Power levels for each channel (both absolute and relative). It is a combination of the commands :ABORT; :INITiate; :FETCh:RF:ACPR? The ACPR measurement must be the active measurement (specified by :CONFigure:RF ACPR. The current measurement can be queried using :CONFigure?

Data is returned as 11 comma-delimited values: The Channel Power in dBm, relative adjacent channel 1 power level, absolute adjacent channel 1 power level, relative adjacent channel 2 power level, absolute adjacent channel 2 power level, relative adjacent channel 3 power level, absolute adjacent channel 3 power level, relative adjacent channel 4 power level, absolute adjacent channel 4 power level, relative adjacent channel 5 power level, absolute adjacent channel 5 power level. The relative adjacent channel power level is in dB and the absolute adjacent channel power level is in dBm.

Related Command: :FETCh:RF:ACPR?
:CONFigure:RF ACPR
:MEASure:RF:ACPR?

Front Panel Access: CDMA, EVDO: Measurement, RF, ACPR

:READ:RF:PVTime?

Title: Read Power vs. Time

Description: Triggers a new Power vs. Time measurement and returns the results: Channel Power, Preamble power, burst power of data bursts, and the Crest Factor. It is a combination of the commands :ABORT; :INITiate; :FETCh:RF:PVTime? The Power vs. Time measurement must be the active measurement (specified by :CONFigure:RF PVTime. The current measurement can be queried using :CONFigure?

Data is returned as 4 comma-delimited values: The Channel Power in dBm, Preamble power in dBm, burst power of data bursts in dBm, and the Crest Factor in dB.

Related Command: :FETCh:RF:PVTime?
:CONFigure:RF PVTime

:READ:RF:SPECTrum?

Title: Read RF Spectrum

Description: Triggers a new RF Spectrum measurement and returns the results: Channel Power (RSSI) and Occupied bandwidth measurement. It is a combination of the commands :ABORT; :INITiate; :FETCh:RF:SPECTrum? The Spectrum measurement must be the active measurement (specified by :CONFigure:RF SPECTrum. The current measurement can be queried using :CONFigure?

Data is returned as 2 comma-delimited values: Channel Power(RSSI) in dBm and Occupied bandwidth measurement in MHz.

Related Command: :FETCh:RF:SPECTrum?
:CONFigure:RF SPECTrum
:MEASure:RF:SPECTrum?

12-9 :TRACe Subsystem

This subsystem contains commands related to the transfer of trace data to and from the instrument.

:TRACe:PREamble? <trace type>

Title: Returns trace header information for the specified trace. The <trace type> must be one of the following:

SPECTrum | PVTime | ACPR | CONSTln | SFLatness | EVSCarrier | EVSYmbol

Data can be transferred to and from the 7 available display trace types. Use the commands in the MMEMory subsystem to store and recall traces from the instrument memory. The response begins with an ASCII header. The header specifies the number of following bytes. It looks like #AX, where A is the number of digits in X and X is the number of bytes that follow the header. Parameters are returned in comma-delimited ASCII format. Each parameter is returned as "NAME=VALUE[UNITS]," Valid parameter names are shown in Chapter 2.

Parameter: <trace type>

Related Command: :TRACe:DATA?

:TRACe[:DATA]? <trace type>

Title: Trace Data Transfer

Description: This command transfers trace data from the instrument to the controller. The <trace type> must be one of the following:

SPECTrum | PVTime | CONSTln | SFLatness | EVSCarrier | EVSYmbol.

The format of the block data in the query form is specified by :FORMAt:DATA. The block data in the command form is always sent in ASCII format. The response begins with an ASCII header that specifies the number of data bytes. It looks like #AX, where A is the number of digits in X and X is the number of bytes that follow the header. Each data point is separated by a comma delimiter. Trace setup information can be acquired using :TRACe[:DATA]:PREamble?.

Use the commands in the MMEMory subsystem to store and recall traces from the instrument memory. Except for CONSTln there is only one value per data point. If max hold is set to ON for SPECTrum and EVM vs. Sub Carrier then the max hold value is returned. For CONSTln, each data point is represented by 3 values 4 bytes each: IData (no units), QData (no units), and the constellation type (no units). For SPECTrum and PVTime unit is in dBm. For Spectral Flatness unit is in dB. For EVM vs Sub Carrier and EVM vs Symbol unit is in percent. Note that the instrument must be set in the selected view. Use the CONFIGure command to set the unit to the selected view.

Parameter: <trace type>

Related Command: :FORMAt[:DATA]

:TRACe[:DATA]:PREamble?

12-10 [:SENSe] Subsystem

The commands in this subsystem relate to device-specific parameters, not signal-oriented parameters.

[:SENSe]:BANDwidth|BWIDth[:RESolution] <index>

[:SENSe]:BANDwidth|BWIDth[:RESolution]?

Title: Resolution Bandwidth

Description: Sets the resolution bandwidth. The <index> argument is a 1-based index of the position of the desired bandwidth in the instrument's current bandwidth list. The list can be seen on the instrument by choosing the "BW" soft-key button in the "Setup" menu. For example, if the desired bandwidth is the 3rd item on the list then the value of the <index> argument would be 3.

The query form of this command will return the index of the currently-selected bandwidth on the list. The Default is the 1st index in the bandwidth list.

Parameter: <index>

Default Value: The default bandwidth is 1.25MHz which is the 1st index in the bandwidth list.

Front Panel Access: Setup, BW

[:SENSe]:CPRatio <index>

[:SENSe]:CPRatio?

Title: Cyclic Prefix Ratio (G)

Description: Selects the desired Cyclic Prefix Ratio from the list. The <index> argument is a 1-based index of the position of the desired CP Ratio in the instrument's current CP Ratio list. The list can be seen on the instrument by choosing the "CP Ratio (G)" soft-key button in the "Setup" menu. For example, if the desired CP Ratio is the 3rd item on the list then the value of the <index> argument would be 3.

The query form of this command will return the index of the currently-selected CP Ratio on the list. The default CP ratio is the first index in the CP ratio list.

Parameter: <index>

Default Value: The default CP Ratio is 1/4 which is the 1st index in the CP Ratio list.

Front Panel Access: Setup, CP Ratio (G)

[:SENSe]:DEMod:CONSTln:POINTS?

Title: Number of Constellation Point

Description: Queries the number of Constellation points.

[:SENSe]:DEMod:CONSTln:REFPoints[:STATe] OFF|ON|0|1

[:SENSe]:DEMod:CONSTln:REFPoints[:STATe]?

Title: Constellation Reference Points

Description: Sets the display of the reference points for the various constellations on/off. The query will return 1 for ON and 0 for OFF.

Parameter: OFF|ON|0|1

Parameter Type: <boolean>

Default Value: 1

Front Panel Access: Shift 4 (Measurement), Demodulator, Constellation, Reference Points

[:SENSE]:DEMod:EVSCarrier:START:X?

Title: EVM vs. Sub Carrier Start Value

Description: Queries the EVM vs. Sub Carrier start value.

Related Command: [:SENSE]:DEMod:EVSCarrier:STOP:X?

[:SENSE]:DEMod:EVSCarrier:STOP:X?

Title: EVM vs. Sub Carrier Stop Value

Description: Queries the EVM vs. Sub Carrier stop value.

Related Command: [:SENSE]:DEMod:EVSCarrier:START:X?

[:SENSE]:DEMod:EVSymbol:START:X?

Title: EVM vs. Symbol Start Value

Description: Queries the EVM vs. Symbol start value.

Related Command: [:SENSE]:DEMod:EVSymbol:STOP:X?

[:SENSE]:DEMod:EVSymbol:STOP:X?

Title: EVM vs. Symbol Stop Value

Description: Queries the EVM vs. Symbol stop value.

Related Command: [:SENSE]:DEMod:EVSymbol:START:X?

[:SENSE]:DEMod:SFlatness:START:X?

Title: Spectral Flatness Start Value

Description: Queries the Spectral Flatness start value.

Related Command: [:SENSE]:DEMod:SFlatness:STOP:X?

[:SENSE]:DEMod:SFlatness:STOP:X?

Title: Spectral Flatness Stop Value

Description: Queries the Spectral Flatness stop value.

Related Command: [:SENSE]:DEMod:SFlatness:START:X?

[:SENSE]:DLFLength 2.5|5|10**[:SENSE]:DLFLength?**

Title: Down Link Frame Length

Description: Set the Down Link Frame Length. Setting the length to 2.5 will result in setting the Frame Length to 2.5 ms. Setting the length to 5 will result in setting the Frame Length to 5 ms. Setting the length to 10 will result in setting the Frame Length to 10 ms.

The query form of this command will return the Down Link Frame Length in unit of seconds.

Parameter: 2.5|5|10

Default Value: 2500 us

Default Unit: seconds

Front Panel Access: Setup, DL Frame Length

[:SENSE]:FREQUENCY:CENTER <freq>

[:SENSE]:FREQUENCY:CENTER?

Title: Center Frequency

Description: Sets the center frequency. Note that changing the value of the center frequency will change the value of the coupled parameters Start Frequency and Stop Frequency. It may also change the value of the span. Note that the set command is available only if the instrument is in Cable & Antenna mode.

Parameter: <freq>

Default Value: 2.5 GHz

Default Unit: Hz

Range: 0 Hz to 7.1 GHz

Front Panel Access: Freq, Center Freq

[:SENSE]:FREQUENCY:SIGSTANDARD <index>

[:SENSE]:FREQUENCY:SIGSTANDARD?

Title: Signal Standard

Description: Selects the desired signal standard from the list. The <index> argument is a 1-based index of the position of the desired signal standard in the instrument's current signal standard list. The list can be seen on the instrument by choosing the "Signal Standard" soft-key button in the "Frequency" menu. The list can also be downloaded remotely and viewed using Anritsu Master Software Tools. For example, if the desired Signal Standard is the 3rd item on the list then the value of the <index> argument would be 3.

The query form of this command will return the index of the currently-selected Signal Standard on the list.

Parameter: <index>

Front Panel Access: Frequency, Signal Standard

[:SENSE]:FREQUENCY:SIGSTANDARD:CHANNEL <number>

[:SENSE]:FREQUENCY:SIGSTANDARD:CHANNEL?

Title: Channel Selection

Description: Sets the channel number for the selected signal standard.

Parameter: <number>

Front Panel Access: Frequency, Channel

[:SENSE]:PFAIL <test set>

[:SENSE]:PFAIL?

Title: PASS/FAIL Test Selection

Description: Selects the active test set to be used in subsequent PASS/FAIL measurements. The <test set> value must correspond to a test set that is defined in the test set list. To view the list on the instrument, go into the "Measurement" menu, press the "Pass/Fail Mode" key, and then press the "Select Pass/Fail Test" soft key. Alternatively, the list can be retrieved remotely and viewed using the Anritsu Master Software Tools. The <test set> argument is a 1-based index of the position of the desired Pass/Fail test set in the instrument's current Pass/Fail test set list. For example, if the desired Pass/Fail test is the 3rd item on the list then the value of the <test set> argument would be 3.

When using the query form of the command, the return value is the currently selected test set number. If there is not a valid test set selected, the return value is “-1” (negative 1).

Parameter: <test set>

Related Command: :CONFigure:PFail

Front Panel Access: Measurement, Pass Fail Mode, Select Pass/Fail Test

[:SENSe]:POWeR[:RF]:RANGe:AUTO OFF|ON|0|1

[:SENSe]:POWeR[:RF]:RANGe:AUTO?

Title: Automatic Amplitude Range

Description: Sets the automatic amplitude range. Setting the value to ON or 1 will result in the amplitude range being coupled to the detected input signal level. Setting the value to OFF or 0 will result in the input attenuation being un-coupled from the input signal level. That is, changing the input signal level will not change the amplitude range. When this command is issued, the amplitude range itself will not change. The default value is ON. That is, sending :SENS:POW:RANG:AUTO is equivalent to sending :SENS:POW:RANG:AUTO ON.

Parameter: OFF|ON|0|1

Parameter Type: <boolean>

Default Value: ON

Related Command: [:SENSe]:POWeR[:RF]:RANGe

Front Panel Access: Amplitude, Auto Range

[:SENSe]:POWeR[:RF]:RANGe[:IMMediate]

Title: Amplitude Range

Description: Re-calculates amplitude range. Note that issuing this command will set the automatic dynamic range OFF.

Related Command: [:SENSe]:POWeR[:RF]:RANGe:AUTO

Front Panel Access: Amplitude, Adjust Range

[:SENSe]:RF:ACPR:ADJCchannelcount?

Title: ACPR ADJC Channel Count

Description: Returns the number of Adjacent channels in the ACPR view.

Range: 1 to 4

[:SENSe]:RF:ACPR:MAINchannelcount?

Title: ACPR MAIN Channel Count

Description: Returns the number of main channels in the ACPR view.

Range: 1 to 4

[:SENSe]:RF:PVTime:FRAMe:STARt?

Title: Power vs. Time Frame Start Time

Description: Queries the Power vs. Time Frame start time.

Default Unit: seconds

Related Command: [:SENSe]:RF:PVTime:FRAMe:STOP?
[:SENSe]:DLFLength?

[:SENSe]:RF:PVTime:FRAMe:STOP?

Title: Power vs. Time Frame Stop Time

Description: Queries the Power vs. Time frame stop time.

Default Unit: seconds

Related Command: [:SENSe]:RF:PVTime:FRAMe:STARt?
[:SENSe]:DLFLength?

[:SENSe]:RF:SPECTrum:SPAN 5|10|20|30**[:SENSe]:RF:SPECTrum:SPAN?**

Title: Spectrum View Span

Description: Sets the span for the Spectrum view. Setting the value to 5 will set the span for the Spectrum view to 5 MHz. Setting the value to 10 will set the span for the Spectrum view to 10 MHz. Setting the value to 20 will set the span for the Spectrum view to 20MHz. Setting the value to 30 will set the span for the Spectrum view to 30MHz.

Parameter: 5|10|20|30

Default Value: 5 MHz

Default Unit: MHz

Front Panel Access: Measurement, RF, Spectrum, Span

Chapter 13 — Mobile WiMAX Commands

13-1 :ABORt Subsystem

The abort subsystem includes commands that allow the user to stop current measurement activities on the instrument.

:ABORt

Title: Abort

Description: Restarts the current sweep and/or measurement. Resets the trigger system. If :INITiate:CONTinuous is OFF (i.e. the instrument is in single sweep mode), send the command :INITiate[:IMMediate] to trigger the next sweep. If :INITiate:CONTinuous is ON (i.e. the instrument is in continuous sweep mode) a new sweep will start immediately.

Parameter: NA

Related Command: :INITiate:CONTinuous
:INITiate[:IMMediate]

Front Panel Access: Shift-3 (Sweep), Reset Sweep

13-2 :CONFigure Subsystem

This set of commands prepares the instrument for the selected measurement. It disables any currently-enabled measurements and activates the specified measurement. It sets the instrument to single sweep mode, waiting for an :INITiate command. It will not initiate the taking of a measurement.

Current instrument settings may be changed to default values. These changes are identified with their respective measurement commands.

:CONFigure PFail

Title: Configure PASS/FAIL Measurement

Description: This command configures the PASS/FAIL measurement. It disables any other active measurements. None of the instrument parameters are changed by the execution of this command. Sets the instrument to single sweep mode (:INITiate:CONTinuous OFF). Measurement settings can be modified by using the [:SENSe] commands before initiating a measurement. The measurement results are equivalent to the results that are displayed by choosing Measurements, then PASS/FAIL from the front panel.

Parameter: PFail

Related Command: :FETCh:PFail?
MEASure:PFail?
READ:PFail?

Front Panel Access: Shift-4 (Measurement), PASS/FAIL Mode

:CONFigure SUMMary

Title: Configure Summary Measurement

Description: This command configures the summary of all the related numerical measurement results. It disables any other active measurements. None of the instrument parameters are changed by the execution of this command. Sets the instrument to single sweep mode (:INITiate:CONTinuous OFF). Measurement settings can be modified by using the [:SENSe] commands before initiating a measurement.

Parameter: SUMMary

Parameter Type: <char>

Front Panel Access: Shift-4 (Measurement), WiMAX Summary

:CONFigure:DEMod <char>

Title: Configure Demodulation Measurement

Description: Valid <char> parameters are:
SUMMArY | CONSTln | SFLatness | EVSCarrier | EVSYmbol.

This command configures the selected demodulation measurement. It disables any other active measurements. None of the instrument parameters are changed by the execution of this command. Sets the instrument to single sweep mode (:INITiate:CONTinuous OFF). Measurement settings can be modified by using the [:SENSe]:DEMod commands before initiating a measurement.

When the SUMMArY option is selected, the measurement results are equivalent to the results that are displayed by choosing Measurements, then Demodulator, then Modulation Summary from the front panel. When the CONSTln option is selected, the measurement results are equivalent to the results that are displayed by choosing Measurements, then Demodulator, then Constellation from the front panel. When the SFLatness option is selected, the measurement results are equivalent to the results that are displayed by choosing Measurements, then Demodulator, then Spectral Flatness from the front panel. When the EVSCarrier option is selected, the measurement results are equivalent to the results that are displayed by choosing Measurements, then Demodulator then EVM vs Sub Carrier from the front panel. When the EVSYmbol option is selected, the measurement results are equivalent to the results that are displayed by choosing Measurements, then Demodulator then EVM vs Symbol from the front panel.

Parameter: <char>

Front Panel Access: Shift-4 (Measurement), Demodulator

:CONFigure:RF <char>

Title: Configure RF Measurement

Description: Valid parameter options: SUMMArY | SPECTrum | PVTTime | ACPR

This command configures the selected RF measurement. It disables any other active measurements. None of the instrument parameters are changed by the execution of this command. Sets the instrument to single sweep mode (:INITiate:CONTinuous OFF). Measurement settings can be modified by using the [:SENSe]:RF commands before initiating a measurement.

When the SUMMArY option is selected, the measurement results are equivalent to the results that are displayed by choosing Measurements, then RF, then RF Summary from the front panel. When the SPECTrum option is selected, the measurement results are equivalent to the results that are displayed by choosing Measurements, then RF, then Spectrum from the front panel. When the PVTTime option is selected, the measurement results are equivalent to the results that are displayed by choosing Measurements, then RF, then Power vs Time from the front panel. When the ACPR option is selected, the measurement results are equivalent to the results that are displayed by choosing Measurements, then RF, then ACPR from the front panel.

Parameter: <char>

Related Command: [:SENSe]:FREQuency
[:SENSe]:RF:ACLR:MAINchannelcount
[:SENSe]:RF:ACLR:ADJCchannelcount

13-3 :DISPlay Subsystem

This subsystem provides commands that modify the display of data for the user. They do not modify the way in which data are returned to the controller.

:DISPlay:WINDow:TRACe:MAXHold OFF|ON|0|1

:DISPlay:WINDow:TRACe:MAXHold?

Title: Max Hold State

Description: Specifies whether the Max Hold is ON or OFF. The default value is ON. That is, sending :DISP:WIND:TRAC:MAXH is equivalent to sending :DISP:WIND:TRAC:MAXH ON. The query version of the command returns a 1 if Max Hold is set to ON and returns a 0 if the Max Hold is set to OFF. Note that this command is available only in the Spectrum and EVM vs. Sub-carrier views.

Parameter: OFF|ON|0|1

Parameter Type: <boolean>

Default Value: ON

Front Panel Access: Shift-5 (Trace), Max Hold

:DISPlay:WINDow:TRACe:Y[:SCALE]:OFFSet <rel ampl>

:DISPlay:WINDow:TRACe:Y[:SCALE]:OFFSet?

Title: Power Offset

Description: Sets the power offset value for the y-axis.

Parameter: <rel ampl>

Default Value: 0 dB

Default Unit: dB

Range: 0 dB to 100 dB

Front Panel Access: Amplitude, Power Offset

:DISPlay:WINDow:TRACe:Y[:SCALE]:PDIVision <value>

:DISPlay:WINDow:TRACe:Y[:SCALE]:PDIVision?

Title: Scale Resolution Per Division

Description: Sets the scale per division for the y-axis. The units change from dB/div to % when EVM is the y-axis value. The resolution per division value is maintained separately for each measurement.

Parameter: <value>

Default Value: Spectral Flatness: 1 dB/div
EVM vs. SubCarrier: 0.50%
EVM vs. Symbol: 0.50%
All others: 10dB/div

Default Unit: Current active amplitude unit

Range: EVM vs. SubCarrier: 0.1 % to 10 %
EVM vs. SubCarrier: 0.1 % to 10 %
All others: 1 dB to 15 dB

:DISPlay:WINDow:TRACe:Y[:SCALE]:TOP <amplitude>
:DISPlay:WINDow:TRACe:Y[:SCALE]:TOP?

Title: Y Axis Max

Description: Sets the maximum value of the Y axis. Note that this command is available only in the Spectral Flatness and EVM vs. Symbol/Sub-carrier views.

Parameter: <amplitude>

Default Value: Spectral Flatness: 5dB
EVM vs. Symbol: 5%
EVM vs. Sub-carrier: 5%

Default Unit: Current active amplitude unit

Range: Spectral Flatness: -5dB to 5dB
EVM vs. Symbol: 1% to 100%
EVM vs. Sub-carrier: 1% to 100%

Front Panel Access: Amplitude, Y Axis Max

13-4 :FETCh Subsystem

This set of commands returns the most recent measurement data of the active measurement. They will not switch to another measurement.

To make a new measurement, use the INITiate command. To get new measurement data, use the READ or MEASure query commands.

:FETCh:DEMod:CONStln?

Title: Fetch Constellation

Description: Returns the constellation of the demodulated data symbol over one frame measurement results.

Data is returned as 8 comma-delimited values: EVM (rms) in %, EVM (pk) in %, RCE (rms) in dB, RCE (pk) in dB, Carrier Frequency in MHz, Freq Error in MHz, Freq Error in ppm, and the Base Station ID. "--" is returned for each data that is not valid at that instance.

:FETCh:DEMod:EVSCarrier?

Title: Fetch EVM vs. Sub Carrier

Description: Returns the EVM vs. Sub Carrier measurement results.

Data is returned as 8 comma-delimited values: EVM (rms) in %, EVM (pk) in %, RCE (rms) in dB, RCE (pk) in dB, Carrier Frequency in MHz, Freq Error in MHz, Freq Error in ppm, and the Base Station ID. "--" is returned for each data that is not valid at that instance.

:FETCh:DEMod:EVSymbol?

Title: Fetch EVM vs. Symbol

Description: Returns the EVM vs. Symbol measurement results.

Data is returned as 8 comma-delimited values: EVM (rms) in %, EVM (pk) in %, RCE (rms) in dB, RCE (pk) in dB, Carrier Frequency in MHz, Freq Error in MHz, Freq Error in ppm, and the Base Station ID. "--" is returned for each data that is not valid at that instance.

:FETCh:DEMod:SFLatness?

Title: Fetch Spectral Flatness

Description: Returns the absolute delta of the power between adjacent sub carriers in dB. "--" is returned for data that is not valid at that instance.

:FETCh:PFail?

Title: Fetch PASS/FAIL

Description: Returns the most recent PASS/FAIL measurement results. Measurement results are returned in a block of ASCII text in the format of <header><block>. The ASCII header specifies the number of data bytes. It looks like #AX, where A is the number of digits in X and X is the number of bytes in the <block>. The block consists of a set of records which indicate individual test results. Records are comma-separated. Each record follows the format <test ID>: <input1> <input2> <min> <max> <value1> <value2> <PASS/FAIL/OPTION NOT INSTALLED>.

The <test ID> field indicates which test was performed to retrieve these results. The <input1> and <input2> fields indicate the test setup. The <min> and <max> fields indicate the minimum and maximum values against which <value1> and <value2> were compared to arrive at the final PASS/FAIL result. If the specified test is not available in the instrument, the <PASS/FAIL> field will indicate "option not available" instead of "pass" or "fail". All unused fields for a given test are represented by a double dash ("--"). To receive valid measurements, the Pass/Fail measurement must be the active. The current measurement can be queried using CONFigure?. Use the :CONFigure:PFail to set Pass/Fail as the active measurement.

Related Command: MEASure:PFail?
:CONFigure:PFail
READ:PFail?

:FETCh:RF:ACPR?

Title: Fetch Adjacent Channel Power Ratio

Description: Returns the most recent adjacent channel power ratio measurement results.

Data is returned as 11 comma-delimited values: The Channel Power in dBm, relative adjacent channel 1 power level, absolute adjacent channel 1 power level, relative adjacent channel 2 power level, absolute adjacent channel 2 power level, relative adjacent channel 3 power level, absolute adjacent channel 3 power level, relative adjacent channel 4 power level, absolute adjacent channel 4 power level, relative adjacent channel 5 power level, absolute adjacent channel 5 power level. The relative adjacent channel power level is in dB and the absolute adjacent channel power level is in dBm. "--" is returned for each data that is not valid at that instance.

Related Command: :CONFigure:RF ACPR
:MEASure:RF:ACPR?
:READ:RF:ACPR?

Front Panel Access: CDMA, EVDO: Measurement, RF, ACPR

:FETCh:RF:PVTime?

Title: Fetch Power vs. Time

Description: Returns the most recent WiMAX 802.16-2004 OFDM signal over approximately one frame time domain measurement results.

Data is returned as 4 comma-delimited values: The Channel Power in dBm, Preamble power in dBm, downlink burst power of data bursts in dBm, and uplink burst power of data bursts in dBm. "--" is returned for each data that is not valid at that instance.

:FETCh:RF:SPECTrum?

Title: Fetch RF Spectrum

Description: Returns the most recent RF Spectrum measurement results.

Data is returned as 2 comma-delimited values: Channel Power(RSSI) in dBm and Occupied bandwidth measurement in MHz. "--" is returned for each data that is not valid at that instance.

Related Command: :CONFIgure:RF SPECTrum
:MEASure:RF:SPECTrum?
:READ:RF:SPECTrum?

13-5 :FORMat Subsystem

This subsystem contains commands that determine the formatting of numeric data when it is transferred.

The format setting affects data in specific commands only. If a command is affected, it is noted in the command description.

```
:FORMat[:READings][:DATA] ASCii|INTeger,32|REAL,32  
:FORMat[:READings][:DATA]?
```

Title: Numeric Data Format

Description: This command specifies the format in which data is returned in certain commands.

ASCii format returns the data in comma-separated ASCII format. The units are the current instrument units. This format requires many more bytes so it is the slowest format. INTeger,32 values are signed 32-bit integers in little-endian byte order. This format returns the data in 4-byte blocks. (WCDMA and Cable & Antenna only: The units are always mdBm. For example, if the measured result was -12.345 dBm, that value would be sent as -12345.) REAL,32 values are 32-bit floating point numbers conforming to the IEEE 754 standard in little-endian byte order. This format returns the data in 4-byte binary format. The units are the current instrument units.

Both INTeger,32 and REAL,32 formats return a definite block length. Each transfer begins with an ASCII header such as #42204. The first digit represents the number of following digits in the header (in this example, 4). The remainder of the header indicates the number of bytes that follow the header (in this example, 2204). You then divide the number of following bytes by the number of bytes in the data format you've chosen (4 for both INTeger,32 and REAL,32 so 2204/4) to get the number of data points (in this example, 551).

Parameter: ASCii|INTeger,32|REAL,32

Parameter Type: <char>

Default Value: ASCii

Related Command: :TRACe[:DATA]

13-6 :INITiate Subsystem

This subsystem controls the triggering of measurements.

:INITiate:CONTinuous OFF|ON|0|1

:INITiate:CONTinuous?

Title: Continuous/Single Sweep

Description: Specifies whether the sweep/measurement is triggered continuously. If the value is set to ON or 1, another sweep/measurement is triggered as soon as the current one completes. If continuous is set to OFF or 0, the instrument enters the “idle” state and waits for the :INITiate[:IMMediate] command or for :INITiate:CONTinuous ON. The default value is ON. That is, sending :INIT:CONT is equivalent to sending :INIT:CONT ON. The query version of the command returns a 1 if the instrument is continuously sweeping/measuring and returns a 0 if the instrument is in single sweep/measurement mode. Note that rapid toggling between ON and OFF is not allowed. The instrument must be allowed to make a full sweep before toggling can be done. Note that the set command is available only if the instrument is in Cable & Antenna mode.

Parameter: OFF|ON|0|1

Parameter Type: <boolean>

Default Value: ON

Related Command: :INITiate[:IMMediate]
:INITiate:HOLD

Front Panel Access: Shift-3 (Sweep), Sweep (Single/Continuous)

:INITiate[:IMMediate]

Title: Trigger Sweep/Measurement

Description: Initiates a sweep/measurement. If :INITiate:CONTinuous is set to ON, this command is ignored. Use this command in combination with :STATus:OPERation? to synchronize the capture of one complete set of data. When this command is sent, the “sweep complete” bit of :STATus:OPERation? is set to 0, indicating that the measurement has not completed. The data collection is then triggered. The controlling program can poll :STATus:OPERation? to determine the status. When the “sweep complete” bit is set to 1, data is ready to be retrieved.

Related Command: :INITiate:CONTinuous
:STATus:OPERation?

Front Panel Access: Shift-3 (Sweep), Trigger Sweep

13-7 :MEASure Subsystem

These commands take the instrument from its current state, enable the specified measurement and put the instrument into single sweep mode. They correct any parameters that are invalid given the new measurement state such that a valid measurement can take place. Other settings may be changed; see the documentation of CONFigure for each measurement. They then initiate the measurement. When the measurement is complete, they return the result.

To make a measurement with settings other than the “default” measurement settings applied by CONFigure, do the following:

- Send the appropriate CONFigure command to set the desired measurement.
- Modify the settings as required.
- Send the appropriate READ command to measure and return the result.

To get the current measurement data, use the appropriate FETCh command.

:MEASure:DEMod:CONStln?

Title: Measure Constellation

Description: Sets the active measurement to Constellation, sets the default measurement parameters, triggers a new measurement, and returns the EVM (rms), EVM (pk), RCE (rms), RCE (pk), Carrier Frequency, Freq Error, Freq Error, and the Base Station ID. It is a combination of the commands :CONFigure:DEMod CONStln; :READ:DEMod:CONStln? To make a Demodulated Constellation measurement with settings other than the default values send:

```
:CONFigure:DEMod CONStln
Commands to set desired settings
:READ:DEMod:CONStln?
```

Data is returned as 8 comma-delimited values: EVM (rms) in %, EVM (pk) in %, RCE (rms) in dB, RCE (pk) in dB, Freq Error in MHz, CINR in dB, Base Station ID, and the Sector ID.

Related Command: :READ:DEMod:CONStln?
:CONFigure:DEMod CONStln

:MEASure:DEMod:EVSCarrier?

Title: Measure EVM vs. Sub Carrier

Description: Sets the active measurement to EVM vs. Sub Carrier, sets the default measurement parameters, triggers a new measurement, and returns the EVM (rms), EVM (pk), RCE (rms), RCE (pk), Carrier Frequency, Freq Error, Freq Error, and the Base Station ID. It is a combination of the commands :CONFigure:DEMod EVSCarrier; :READ:DEMod:EVSCarrier? To make a EVM vs. Symbol measurement with settings other than the default values send:

```
:CONFigure:DEMod EVSCarrier
Commands to set the desired settings
:READ:DEMod:EVSCarrier?
```

Data is returned as 8 comma-delimited values: EVM (rms) in %, EVM (pk) in %, RCE (rms) in dB, RCE (pk) in dB, Carrier Frequency in MHz, Freq Error in MHz, Freq Error in ppm, and the Base Station ID.

Related Command: :READ:DEMod:EVSCarrier?
:CONFigure:DEMod EVSCarrier

:MEASure:DEMod:EVSymbol?

Title: Measure EVM vs. Symbol

Description: Sets the active measurement to EVM vs. Symbol, sets the default measurement parameters, triggers a new measurement, and returns the EVM (rms), EVM (pk), RCE (rms), RCE (pk), Carrier Frequency, Freq Error, Freq Error, and the Base Station ID. It is a combination of the commands :CONFigure:DEMod EVSYmbol;

:READ:DEMod:EVSymbol? To make a EVM vs. Symbol measurement with settings other than the default values send:

:CONFigure:DEMod EVSYmbol

Commands to set the desired settings

:READ:DEMod:EVSymbol?

Data is returned as 8 comma-delimited values: EVM (rms) in %, EVM (pk) in %, RCE (rms) in dB, RCE (pk) in dB, Carrier Frequency in MHz, Freq Error in MHz, Freq Error in ppm, and the Base Station ID.

Related Command: :READ:DEMod:EVSymbol?

:CONFigure:DEMod EVSYmbol

:MEASure:DEMod:SFLatness?

Title: Measure Spectral Flatness

Description: Sets the active measurement to Spectral Flatness, sets the default measurement parameters, triggers a new measurement, and returns the absolute delta of the power between adjacent sub carriers in dB. It is a combination of the commands

:CONFigure:DEMod SFLatness; :READ:DEMod:SFLatness? To make a Spectral Flatness measurement with settings other than the default values send:

:CONFigure:DEMod SFLatness

Commands to set desired settings

:READ:DEMod:SFLatness?

Related Command: :READ:DEMod:SFLatness?

:CONFigure:DEMod SFLatness

:MEASure:PFail?

Title: Measure PASS/FAIL

Description: Sets the active measurement to PASS/FAIL, sets the default measurement parameters, triggers a new measurement and returns the PASS/FAIL results. It is a combination of the commands :CONFigure:PFail; :READ:PFail? To make a channel power measurement with settings other than the default values send:

:CONFigure PFail

Commands to set desired settings

:READ:PFail?

Related Command: :CONFigure:PFail

READ:PFail?

FETCh:PFail?

Front Panel Access: Shift-4 (Measurement), PASS/FAIL

:MEASure:RF:ACPR?

Title: Measure Adjacent Channel Power Ratio

Description: Sets the active measurement to ACPR, sets the default measurement parameters, triggers a new measurement, and returns the power levels for each channel (both absolute and relative). It is a combination of the commands :CONFigure:RF ACPR; :READ:RF:SPECtrum? To make an RF ACPR measurement with settings other than the default values send:

:CONFigure:RF ACPR

Commands to set desired settings

:READ:RF:ACPR?

Data is returned as 11 comma-delimited values: The Channel Power in dBm, relative adjacent channel 1 power level, absolute adjacent channel 1 power level, relative adjacent channel 2 power level, absolute adjacent channel 2 power level, relative adjacent channel 3 power level, absolute adjacent channel 3 power level, relative adjacent channel 4 power level, absolute adjacent channel 4 power level, relative adjacent channel 5 power level, absolute adjacent channel 5 power level. The relative adjacent channel power level is in dB and the absolute adjacent channel power level is in dBm.

Related Command: :READ:RF:ACPR?
:CONFigure:RF ACPR
:FETCh:RF:ACPR?

Front Panel Access: Measurement, RF, ACPR

:MEASure:RF:PVTime?

Title: Measure Power vs. Time

Description: Sets the active measurement to Power vs. Time, sets the default measurement parameters, triggers a new measurement and returns the Channel Power, Preamble power, burst power of data bursts, and the Crest Factor. It is a combination of the following commands CONFigure:RF PVTime; :READ:RF:PVTime? To make an RF ACPR measurement with settings other than the default values send:

:CONFigure:RF PVTime

Commands to set desired settings

:READ:RF:PVTime?

Data is returned as 4 comma-delimited values: The Channel Power in dBm, Preamble power in dBm, burst power of data bursts in dBm, and the Crest Factor in dB.

Related Command: :READ:RF:PVTime?
:CONFigure:RF PVTime

:MEASure:RF:SPECTrum?

Title: Measure RF Spectrum

Description: Sets the active measurement to Spectrum, sets the default measurement parameters, triggers a new measurement and returns the Channel Power (RSSI) and Occupied bandwidth measurement. It is a combination of the following commands :CONFigure:RF SPECTrum; :READ:RF:SPECTrum? To make an RF Spectrum measurement with settings other than the default values send:

:CONFigure:RF SPECTrum

Commands to set desired settings

:READ:RF:SPECTrum?

Data is returned as 2 comma-delimited values: Channel Power (RSSI) in dBm Occupied bandwidth measurement in MHz.

Related Command: :CONFigure:RF SPECTrum

:READ:RF:SPECTrum?

:FETCh:RF:SPECTrum?

Front Panel Access: Measurement, RF, Channel Spectrum

13-8 :READ Subsystem

This set of commands combines the ABORT, INITiate and FETCh commands. It aborts any current triggering sequence and sets the trigger state to idle. It then initiates a new active measurement (i.e. begins the collection of new data). When the measurement is complete, it returns the result. These commands will not switch to another measurement.

To get the current measurement data, use the FETCh command.

:READ:DEMod:CONStIn?

Title: Read Constellation

Description: Triggers a new Constellation measurement and returns the results: EVM (rms), EVM (pk), RCE (rms), RCE (pk), Carrier Frequency, Freq Error, Freq Error, and the Base Station ID. The Constellation measurement must be the active measurement (specified by :CONFigure:DEMod CONStIn. The current measurement can be queried using the command :CONFigure?

Data is returned as 8 comma-delimited values: EVM (rms) in %, EVM (pk) in %, RCE (rms) in dB, RCE (pk) in dB, Carrier Frequency in MHz, Freq Error in MHz, Freq Error in ppm, and the Base Station ID.

Related Command: :FETCh:DEMod:CONStIn?
:CONFigure:DEMod CONStIn

:READ:DEMod:EVSCarrier?

Title: Read EVM vs. Sub Carrier

Description: Triggers a new EVM vs. Sub Carrier measurement and returns the results: EVM (rms), EVM (pk), RCE (rms), RCE (pk), Carrier Frequency, Freq Error, Freq Error, and the Base Station ID. The EVM vs. Sub Carrier measurement must be the active measurement (specified by :CONFigure:DEMod EVSCarrier. The current measurement can be queried using the command :CONFigure?

Data is returned as 8 comma-delimited values: EVM (rms) in %, EVM (pk) in %, RCE (rms) in dB, RCE (pk) in dB, Carrier Frequency in MHz, Freq Error in MHz, Freq Error in ppm, and the Base Station ID.

Related Command: :FETCh:DEMod:EVSCarrier?
:CONFigure:DEMod EVSCarrier

:READ:DEMod:EVSYmbol?

Title: Read EVM vs. Symbol

Description: Triggers a new EVM vs. Symbol measurement and returns the results: EVM (rms), EVM (pk), RCE (rms), RCE (pk), Carrier Frequency, Freq Error, Freq Error, and the Base Station ID. The EVM vs. Symbol measurement must be the active measurement (specified by :CONFigure:DEMod EVSYmbol. The current measurement can be queried using the command :CONFigure?

Data is returned as 8 comma-delimited values: EVM (rms) in %, EVM (pk) in %, RCE (rms) in dB, RCE (pk) in dB, Carrier Frequency in MHz, Freq Error in MHz, Freq Error in ppm, and the Base Station ID.

Related Command: :FETCh:DEMod:EVSYmbol?
:CONFigure:DEMod EVSYmbol

:READ:DEMod:SFLatness?

Title: Read Spectral Flatness

Description: Triggers a new Spectral Flatness measurement and returns the absolute delta of the power between adjacent sub carriers in dB. The Spectral Flatness measurement must be the active measurement (specified by :CONFigure:DEMod SFLatness. The current measurement can be queried using the command :CONFigure?

Related Command: :FETCh:DEMod:SFLatness?
:CONFigure:DEMod SFLatness

:READ:PFail?

Title: Read PASS/FAIL

Description: Triggers a new PASS/FAIL measurement and returns the results. It is a combination of the commands :ABORT; :INITiate; FETCh:PFail? The PASS/FAIL measurement must be active. The current measurement can be queried using :CONFigure?

Related Command: MEASure:PFail?
:CONFigure:PFail
FETCh:PFail?
:CONFigure:PFail

Front Panel Access: Shift-4 (Measurement), PASS/FAIL

:READ:RF:ACPR?

Title: Read Adjacent Channel Power Ratio

Description: Triggers a new Adjacent Channel Power Ratio measurement and returns the results: Power levels for each channel (both absolute and relative). It is a combination of the commands :ABORT; :INITiate; :FETCh:RF:ACPR? The ACPR measurement must be the active measurement (specified by :CONFigure:RF ACPR. The current measurement can be queried using :CONFigure?

Data is returned as 11 comma-delimited values: The Channel Power in dBm, relative adjacent channel 1 power level, absolute adjacent channel 1 power level, relative adjacent channel 2 power level, absolute adjacent channel 2 power level, relative adjacent channel 3 power level, absolute adjacent channel 3 power level, relative adjacent channel 4 power level, absolute adjacent channel 4 power level, relative adjacent channel 5 power level, absolute adjacent channel 5 power level. The relative adjacent channel power level is in dB and the absolute adjacent channel power level is in dBm.

Related Command: :FETCh:RF:ACPR?
:CONFigure:RF ACPR
:MEASure:RF:ACPR?

:READ:RF:PVTime?

Title: Read Power vs. Time

Description: Triggers a new Power vs. Time measurement and returns the results: Channel Power, Preamble power, burst power of data bursts, and the Crest Factor. It is a combination of the commands :ABORT; :INITiate; :FETCh:RF:PVTime? The Power vs. Time measurement must be the active measurement (specified by :CONFigure:RF PVTime. The current measurement can be queried using :CONFigure?

Data is returned as 4 comma-delimited values: The Channel Power in dBm, Preamble power in dBm, burst power of data bursts in dBm, and the Crest Factor in dB.

Related Command: :FETCh:RF:PVTime?
:CONFigure:RF PVTime

:READ:RF:SPECTrum?

Title: Read RF Spectrum

Description: Triggers a new RF Spectrum measurement and returns the results: Channel Power (RSSI) and Occupied bandwidth measurement. It is a combination of the commands :ABORT; :INITiate; :FETCh:RF:SPECTrum? The Spectrum measurement must be the active measurement (specified by :CONFigure:RF SPECTrum. The current measurement can be queried using :CONFigure?

Data is returned as 2 comma-delimited values: Channel Power(RSSI) in dBm and Occupied bandwidth measurement in MHz.

Related Command: :FETCh:RF:SPECTrum?
:CONFigure:RF SPECTrum
:MEASure:RF:SPECTrum?

13-9 :TRACe Subsystem

This subsystem contains commands related to the transfer of trace data to and from the instrument.

:TRACe:PREamble? <trace type>

Title: Trace Header Transfer

Description: Returns trace header information for the specified trace. The <trace type> must be one of the following:

SPECTrum | PVTTime | ACPR | CONSTln | SFLatness | EVSCarrier | EVSYmbol

Data can be transferred to and from the 7 available display trace types. Use the commands in the MMEMory subsystem to store and recall traces from the instrument memory. The response begins with an ASCII header. The header specifies the number of following bytes. It looks like #AX, where A is the number of digits in X and X is the number of bytes that follow the header. Parameters are returned in comma-delimited ASCII format. Each parameter is returned as "NAME=VALUE[UNITS]," Valid parameter names are shown in Chapter 2.

Parameter: <trace type>

Related Command: :TRACe:DATA?

:TRACe[:DATA]? <trace type>

Title: Trace Data Transfer

Description: This command transfers trace data from the instrument to the controller. The <trace type> must be one of the following:

SPECTrum | PVTTime | CONSTln | SFLatness | EVSCarrier | EVSYmbol.

The format of the block data in the query form is specified by :FORMat:DATA. The block data in the command form is always sent in ASCII format. The response begins with an ASCII header that specifies the number of data bytes. It looks like #AX, where A is the number of digits in X and X is the number of bytes that follow the header. Each data point is separated by a comma delimiter. Trace setup information can be acquired using :TRACe[:DATA]:PREamble?.

Use the commands in the MMEMory subsystem to store and recall traces from the instrument memory. Except for CONSTln there is only one value per data point. If max hold is set to ON for SPECTrum and EVM vs. Sub Carrier then the max hold value is returned. For CONSTln, each data point is represented by 3 values 4 bytes each: IData (no units), QData (no units), and the constellation type (no units). For SPECTrum and PVTTime unit is in dBm. For Spectral Flatness unit is in dB. For EVM vs Sub Carrier and EVM vs Symbol unit is in percent. Note that the instrument must be set in the selected view. Use the CONFIgure command to set the unit to the selected view.

Parameter: <trace type>

Related Command: :FORMat[:DATA]

:TRACe[:DATA]:PREamble?

13-10 [:SENSe] Subsystem

The commands in this subsystem relate to device-specific parameters, not signal-oriented parameters.

[:SENSe]:BANDwidth|BWIDth[:RESolution] <index>

[:SENSe]:BANDwidth|BWIDth[:RESolution]?

Title: Resolution Bandwidth

Description: Sets the resolution bandwidth. The <index> argument is a 1-based index of the position of the desired bandwidth in the instrument's current bandwidth list. The list can be seen on the instrument by choosing the "BW" soft-key button in the "Setup" menu. For example, if the desired bandwidth is the 3rd item on the list then the value of the <index> argument would be 3.

The query form of this command will return the index of the currently-selected bandwidth on the list. The Default is the 1st index in the bandwidth list.

Parameter: <index>

Default Value: The default bandwidth is 1.25MHz which is the 1st index in the bandwidth list.

Front Panel Access: Setup, BW

[:SENSe]:CPRatio <index>

[:SENSe]:CPRatio?

Title: Cyclic Prefix Ratio (G)

Description: Selects the desired Cyclic Prefix Ratio from the list. The <index> argument is a 1-based index of the position of the desired CP Ratio in the instrument's current CP Ratio list. The list can be seen on the instrument by choosing the "CP Ratio (G)" soft-key button in the "Setup" menu. For example, if the desired CP Ratio is the 3rd item on the list then the value of the <index> argument would be 3.

The query form of this command will return the index of the currently-selected CP Ratio on the list. The default CP ratio is the first index in the CP ratio list.

Parameter: <index>

Default Value: The default CP Ratio is 1/4 which is the 1st index in the CP Ratio list.

Front Panel Access: Setup, CP Ratio (G)

[:SENSe]:DEMod:CONSTln:REFPoints[:STATE] OFF|ON|0|1

[:SENSe]:DEMod:CONSTln:REFPoints[:STATE]?

Title: Constellation Reference Points

Description: Sets the display of the reference points for the various constellations on/off.

Parameter: OFF|ON|0|1

Parameter Type: <boolean>

Default Value: ON

Front Panel Access: Shift 4 (Measurement), Demodulator, Constellation, Reference Points

[:SENSE]:FREQUENCY:CENTER <freq>

[:SENSE]:FREQUENCY:CENTER?

Title: Center Frequency

Description: Sets the center frequency. Note that changing the value of the center frequency will change the value of the coupled parameters Start Frequency and Stop Frequency. It may also change the value of the span. Note that the set command is available only if the instrument is in Cable & Antenna mode.

Parameter: <freq>

Default Value: 2.5 GHz

Default Unit: Hz

Range: 0 Hz to 7.1 GHz

Front Panel Access: Freq, Center Freq

[:SENSE]:FREQUENCY:SIGStandard <index>

[:SENSE]:FREQUENCY:SIGStandard?

Title: Signal Standard

Description: Selects the desired signal standard from the list. The <index> argument is a 1-based index of the position of the desired signal standard in the instrument's current signal standard list. The list can be seen on the instrument by choosing the "Signal Standard" soft-key button in the "Frequency" menu. The list can also be downloaded remotely and viewed using Anritsu Master Software Tools. For example, if the desired Signal Standard is the 3rd item on the list then the value of the <index> argument would be 3.

The query form of this command will return the index of the currently-selected Signal Standard on the list.

Parameter: <index>

Front Panel Access: Frequency, Signal Standard

[:SENSE]:FREQUENCY:SIGStandard:CHANnel <number>

[:SENSE]:FREQUENCY:SIGStandard:CHANnel?

Title: Channel Selection

Description: Sets the channel number for the selected signal standard.

Parameter: <number>

Related Command: [:SENSE]:CORREction:REFPlane

Front Panel Access: Frequency, Channel

[:SENSE]:PFail <test set>

[:SENSE]:PFail?

Title: PASS/FAIL Test Selection

Description: Selects the active test set to be used in subsequent PASS/FAIL measurements. The <test set> value must correspond to a test set that is defined in the test set list. To view the list on the instrument, go into the "Measurement" menu, press the "Pass/Fail Mode" key, and then press the "Select Pass/Fail Test" soft key. Alternatively, the list can be retrieved remotely and viewed using the Anritsu Master Software Tools. The <test set> argument is a 1-based index of the position of the desired Pass/Fail test set in the instrument's current Pass/Fail test set list. For example, if the desired Pass/Fail test is the 3rd item on the list then the value of the <test set> argument would be 3.

When using the query form of the command, the return value is the currently selected test set number. If there is not a valid test set selected, the return value is "-1" (negative 1).

Parameter: <test set>

Related Command: :CONFigure:PFail

Front Panel Access: Measurement, Pass Fail Mode, Select Pass/Fail Test

[:SENSE]:POWER[:RF]:RANGE:AUTO OFF|ON|0|1

[:SENSE]:POWER[:RF]:RANGE:AUTO?

Title: Automatic Amplitude Range

Description: Sets the automatic amplitude range. Setting the value to ON or 1 will result in the amplitude range being coupled to the detected input signal level. Setting the value to OFF or 0 will result in the input attenuation being un-coupled from the input signal level. That is, changing the input signal level will not change the amplitude range. When this command is issued, the amplitude range itself will not change. The default value is ON. That is, sending :SENS:POW:RANG:AUTO is equivalent to sending :SENS:POW:RANG:AUTO ON.

Parameter: OFF|ON|0|1

Parameter Type: <boolean>

Default Value: ON

Related Command: [:SENSE]:POWER[:RF]:RANGE

Front Panel Access: Amplitude, Auto Range

[:SENSE]:POWER[:RF]:RANGE[:IMMEDIATE]

Title: Amplitude Range

Description: Re-calculates amplitude range. Note that issuing this command will set the automatic dynamic range OFF.

Related Command: [:SENSE]:POWER[:RF]:RANGE:AUTO

Front Panel Access: Amplitude, Adjust Range

[:SENSe]:RF:SPECTrum:SPAN 5|10|20|30

[:SENSe]:RF:SPECTrum:SPAN?

Title: Spectrum View Span

Description: Sets the span for the Spectrum view. Setting the value to 5 will set the span for the Spectrum view to 5 MHz. Setting the value to 10 will set the span for the Spectrum view to 10 MHz. Setting the value to 20 will set the span for the Spectrum view to 20MHz. Setting the value to 30 will set the span for the Spectrum view to 30MHz.

Parameter: 5|10|20|30

Default Value: 5 MHz

Default Unit: MHz

Front Panel Access: Measurement, RF, Spectrum, Span

Chapter 14 — LTE Commands

14-1 :ABORt Subsystem

The abort subsystem includes commands that allow the user to stop current measurement activities on the instrument.

:ABORt

Title: Abort

Description: Restarts the current sweep and/or measurement. If INITiate:CONTinuous is OFF (i.e. the instrument is in single sweep mode), send the command :INITiate[:IMMediate] to trigger the next sweep. If :INITiate:CONTinuous is ON (i.e. the instrument is in continuous sweep mode) a new sweep will start immediately.

Parameter: NA

14-2 :CALCulate Subsystem

The commands in this subsystem process data that has been collected via the SENSE subsystem.

:CALCulate:MARKer:AOff

Title: Turn All Markers Off

Description: Turns off all markers in Channel Spectrum.

Front Panel Access: Marker, Markers Off

:CALCulate:MARKer1:DELTA:X <x1 parameter>

:CALCulate:MARKer1:DELTA:X?

Title: Delta Marker 1 X Value

Description: Sets/Queries the relative location of the delta marker from the reference marker on the x-axis.

Note: The query value might not always match the set value since the instrument will round the set value based on the display pixel resolution.

The x1 parameter is used to set the delta position. For example, CALC:MARK1:DELTA:X 2 MHz will set the delta value to 2 MHz.

Parameter: <x1 parameter>

Default Unit: Hz

Related Command: :CALCulate:MARKer1:X

Front Panel Access: Marker, Marker Select (M1), Marker State (Delta), (Use arrow keys or rotary knob.)

:CALCulate:MARKer1:DELTA:Y?

Title: Delta Marker 1 Read Y Value

Description: Reads the current absolute Y value for delta marker 1.

Default Unit: dBm

:CALCulate:MARKer1:MAXimum

Title: Set Marker 1 to Peak

Description: Moves marker 1 to peak position on data trace.

Parameter: NA

Front Panel Access: Marker, Marker Select (M1), Peak Search

:CALCulate:MARKer1:STATE OFF|ON|DELta

:CALCulate:MARKer1:STATE?

Title: Set Marker 1 State

Description: Sets marker 1 on/off or delta.

Parameter: OFF|ON|DELta

Parameter Type: <char>

Default Value: OFF

Front Panel Access: Marker, Marker Select (M1), Marker State

:CALCulate:MARKer1:X <x-parameter>

:CALCulate:MARKer1:X?

Title: Set Marker 1 Value

Description: Sets/Queries the location of marker 1 on the x-axis at the specified location.

Parameter: <x-parameter>

Default Unit: Hz

Front Panel Access: Marker, Marker Select (M1), Peak Search

:CALCulate:MARKer1:Y?

Title: Marker 1 Read Y Value

Description: Reads the current Y value for marker 1.

Default Unit: dBm

:CALCulate:MARKer2:DELta:X <x1 parameter>

:CALCulate:MARKer2:DELta:X?

Title: Delta Marker X Value

Description: Sets/Queries the relative location of the delta marker from the reference marker on the x-axis.

Note: The query value might not always match the set value since the instrument will round the set value based on the display pixel resolution.

The x1 parameter is used to set the delta position.

For example, :CALC:MARK2:DELT:X 2 MHz will set the delta value to 2 MHz.

Parameter: <x1 parameter>

Default Unit: Hz

Related Command: :CALCulate:MARKer2:X

Front Panel Access: Marker, Marker Select (M2), Marker State (Delta), (Use arrow keys or rotary knob.)

:CALCulate:MARKer2:DELta:Y?

Title: Delta Marker 2 Read Y Value

Description: Reads the current absolute Y value for delta marker 2.

Default Unit: dBm

:CALCulate:MARKer2:MAXimum

Title: Set Marker 2 to Peak

Description: Moves marker 2 to peak position on data trace.

Parameter: NA

Front Panel Access: Marker, Marker Select (M2), Peak Search

:CALCulate:MARKer2:STATE OFF|ON|DELta

:CALCulate:MARKer2:STATE?

Title: Set Marker 2 State

Description: Sets marker 2 on/off or delta.

Parameter: OFF|ON|Delta

Parameter Type: <char>

Default Value: OFF

Front Panel Access: Marker, Marker Select (M2), Marker State

:CALCulate:MARKer2:X <x-parameter>

:CALCulate:MARKer2:X?

Title: Set Marker 2 Value

Description: Sets/Queries the location of marker 2 on the x-axis at the specified location.

Parameter: <x-parameter>

Default Unit: Hz

Front Panel Access: Marker, Marker Select (M2), Peak Search

:CALCulate:MARKer2:Y?

Title: Marker2 Read Y Value

Description: Reads the current Y value for marker 2.

Default Unit: dBm

14-3 :CONFigure Subsystem

This set of commands prepares the instrument for the selected measurement. It disables any currently-enabled measurements and activates the specified measurement. It sets the instrument to single sweep mode, waiting for an :INITiate command. It will not initiate the taking of a measurement.

Current instrument settings may be changed to default values. These changes are identified with their respective measurement commands.

:CONFigure?

Title: Configure Query

Description: :CONFigure? query returns the name of the measurement previously set up using a CONFigure command or a MEASure? query. The list below shows the possible return values.

SUMM
RF,SPEC
RF,ACLR
RF,SEM
RF,SUMM
DEM,CONS
DEM,CCPG
DEM,CCPT
DEM,PVRB
DEM,SUMM
PF
OTA,OTAS
OTA,OTATX
OTA,MAP

:CONFigure SUMMary

Title: Set Measurement to LTE Summary

Description: Sets the measurement to LTE Summary. It disables any other active measurements. None of the instrument parameters are changed by the execution of this command. (:INITiate:CONTinuous OFF). Measurement settings can be modified by using the [:SENSe] commands before initiating a measurement.

Parameter: SUMMary

Parameter Type: <char>

Front Panel Access: Measurements, LTE Summary

:CONFigure:DEMod SUMMARY|CONSTln|CCPGraph|CCPTable

Title: Select the Modulation Measurement

Description: Sets measurement to one of the Modulation screens. This can be one of:

SUMMARY: Modulation Summary view

CONSTln: Modulation Constellation diagram.

CCPGraph: Control Channel Powers - Bar-graph view.

CCPTable: Control Channel Powers - Table view.

It disables any other active measurements. None of the instrument parameters are changed by the execution of this command. Sets the instrument to single sweep mode (:INITiate:CONTInuous OFF). Measurement settings can be modified by using the [:SENSe] commands before initiating a measurement.

Parameter: SUMMARY|CONSTln|CCPGraph|CCPTable

Parameter Type: <char>

Front Panel Access: Measurements, Modulation, (Constellation, Control Channel Power, Modulation Summary).

If Control Channel Power is selected, press Control Channel Power again then press Display Mode to select Bar Graph or Table.

:CONFigure:OTA SCANner|TXTEst|MAPping

Title: Configure Over-the-Air Measurement

Description: Sets the measurement to one of the Over-the-Air screens.

Parameter: SCANner|TXTEst|MAPping

Parameter Type: <char>

Front Panel Access: Measurements, Over-the-Air, Scanner

:CONFigure:RF SUMMARY|SPECTrum|ACLR|SEM

Title: Select RF Measurements

Description: This command configures RF measurements. It disables any other active measurements. None of the instrument parameters are changed by the execution of this command. Sets the instrument to single sweep mode (:INITiate:CONTInuous OFF). Measurement settings can be modified by using the [:SENSe] commands before initiating a measurement.

Set measurement to one of the RF measurement screens. This can be one of:

SUMMARY: RF measurement summary screen.

SPECTrum: RF Channel Spectrum measurement screen.

ACLR: ACLR measurement view.

SEM: Spectral Emission Mask measurement.

Parameter: SUMMARY|SPECTrum|ACLR|SEM

Front Panel Access: Measurements, RF, (Channel Spectrum, ACLR, Spectral Emission Mask, RF Summary)

14-4 :DISPlay Subsystem

This subsystem provides commands that modify the display of data for the user. They do not modify the way in which data are returned to the controller.

:DISPlay:WINDow:TRACe:Y[:SCALe]:OFFSet <rel ampl>
:DISPlay:WINDow:TRACe:Y[:SCALe]:OFFSet?

Title: Power Offset

Description: Sets the power offset value for the y-axis.

Parameter: <rel ampl>

Default Value: 0 dB

Default Unit: dB

Range: -100 dB to 100 dB

Front Panel Access: Amplitude, Power Offset

:DISPlay:WINDow:TRACe:Y[:SCALe]:PDIVision <rel ampl>
:DISPlay:WINDow:TRACe:Y[:SCALe]:PDIVision?

Title: Scale

Description: Sets the Scale/Division setting for the y-axis. This only affects the scale for the Channel Spectrum measurement.

Parameter: <rel ampl>

Default Value: 10 dB/div

Default Unit: dB

Range: 1 dB to 15 dB

Front Panel Access: Amplitude, Scale

14-5 :FETCh Subsystem

This set of commands returns the most recent measurement data of the active measurement. They will not switch to another measurement.

To make a new measurement, use the INITiate command. To get new measurement data, use the READ or MEASure query commands.

:FETCh:DEMod:CCPData?

Title: Fetch Control Power Data

Description: Returns the most recent Control Channel Power measurement numeric results.

Data is returned as 24 comma-delimited values: RS_POWER, PSS_POWER, SSS_POWER, BCH_POWER, CFI_POWER, RS_TOTAL_POWER, PSS_TOTAL_POWER, SSS_TOTAL_POWER, BCH_TOTAL_POWER, CFI_TOTAL_POWER, TOTAL_POWER, TOTAL_CHANNEL_POWER

Front Panel Access: Measurements, Modulation, Control Channel Power

:FETCh:DEMod:CONStln?

Title: Fetch Constellation

Description: Returns the constellation measurement numeric results of the demodulated data symbol over one sub-frame measurement.

Data is returned as 9 comma-delimited values: EVM (rms) in %, EVM (pk) in %, Ref Signal (RS) Power in dBm, Sync Signal (SS) Power in dBm, Carrier Frequency in MHz, Freq Error in Hz, Freq Error in ppm, the Cell ID, and the number of measurements used in the frequency error average. "--" is returned for each data that is not valid at that instance.

If frequency error average is on, then the response string includes the averaged frequency error value.

Front Panel Access: Measurements, Modulation, Constellation

:FETCh:OTA:MAPping?

Title: Fetch OTA Coverage Mapping

Description: Returns the most recent Coverage Mapping measurement results.

Data is returned as 2 comma-delimited values: Channel Power in dBm and Occupied bandwidth measurement in MHz. "--" is returned for each data that is not valid at that instance.

Data is returned as 6 sets of comma-delimited values. Each set as follows: Cell ID, Group ID, Sector ID, S-SS Power, RSRP, RSRQ, and SINR.

Following the six sets of data is a final value for the Dominance. "--" is returned for each data that is not valid at that instance.

Front Panel Access: Measurements, Over-the-Air, Mapping

:FETCh:OTA:SCANner?

Title: Fetch OTA Scanner

Description: Returns the most recent OTA Scanner measurement results.

Data is returned as 6 sets of comma-delimited values. Each set as follows: Cell ID, Group ID, Sector ID, S-SS Power, RSRP, RSRQ, and SINR

Following the six sets of data is a final value for the Dominance. "--" is returned for each data that is not valid at that instance.

Front Panel Access: Measurements, Over-the-Air, Scanner

:FETCh:OTA:TXTEst?

Title: Fetch OTA Tx Test

Description: Returns the most recent OTA Tx Text measurement results.

Data is returned as 3 sets of comma-delimited values. Each set as follows: Cell ID, Group ID, Sector ID, S-SS Power, RSRP, RSRQ, and SINR

Following the six sets of data is and addition set of four numbers: Dominance, Antenna count, Average Power, Delta Power. "--" is returned for each data that is not valid at that instance.

Front Panel Access: Measurements, Over-the-Air, Tx Test

:FETCh:RF:ACLR?

Title: Fetch Adjacent Channel Leakage Ratio

Description: Returns the most recent adjacent channel leakage ratio measurement results. If the instrument is sweeping, it will not return until the sweep is complete. Refer to [":READ:RF:ACLR?"](#) on page 14-17 for a description of the returned data.

Default Unit: dBm

Front Panel Access: Measurements, RF, ACLR

:FETCh:RF:SEM?

Title: Fetch Spectral Emission Mask

Description: Returns Spectral Emission Mask measurement results (Pass or Fail).

Front Panel Access: Measurements, RF, Spectral Emission Mask

:FETCh:RF:SPECTrum?

Title: Fetch RF Spectrum

Description: Returns the most recent RF Spectrum measurement results. Data is returned as 2 comma-delimited values: Channel Power in dBm and Occupied bandwidth measurement in MHz. "--" is returned for each data that is not valid at that instance.

Front Panel Access: Measurements, RF, Channel Spectrum

: FETCh : SUMMArY?

Title: Fetch Summary

Description: Returns the values displayed in a Summary measurement view. If the current display is not a summary screen, then the return value is 'N/A'. The return value is a comma separated list of the values displayed on the screen, in the order they are displayed from top to bottom. The list is preceded by the name of the summary view; either "LTE Summary", "RF Summary" or "Modulation Summary".

If frequency Error is a parameter in the summary results, then the returned value will be current displayed value averaged over an indeterminate number of previous measurements. Averaged value only returned if Frequency Error Average Count > 1. The maximum number of averaged values will be the value setting for Frequency Error Average Count.

14-6 :FORMat Subsystem

This subsystem contains commands that determine the formatting of numeric data when it is transferred.

The format setting affects data in specific commands only. If a command is affected, it is noted in the command description.

```
:FORMat[:READings][:DATA] ASCii|INTeger,32|REAL,32  
:FORMat[:READings][:DATA]?
```

Title: Numeric Data Format

Description: This command specifies the format in which data is returned in certain commands.

ASCii format returns the data in comma-separated ASCII format. The units are the current instrument units. This format requires many more bytes so it is the slowest format.

INTeger values are signed 32-bit integers in little-endian byte order. This format returns the data in 4-byte blocks.

REAL values are 32-bit floating point numbers conforming to the IEEE 754 standard in little-endian byte order. This format returns the data in 4-byte binary format. The units are the current instrument units.

Both INTeger and REAL formats return a definite block length. Each transfer begins with an ASCII header such as #42204. The first digit represents the number of following digits in the header (in this example, 4). The remainder of the header indicates the number of bytes that follow the header (in this example, 2204). You then divide the number of following bytes by the number of bytes in the data format you've chosen (4 for both INTeger and REAL) to get the number of data points (in this example, 551).

Parameter: ASCii|INTeger,32|REAL,32

Parameter Type: <char>

Default Value: ASCii

14-7 :INITiate Subsystem

This subsystem controls the triggering of measurements.

:INITiate:CONTinuous OFF|ON|0|1

:INITiate:CONTinuous?

Title: Continuous/Single Sweep

Description: Specifies whether the sweep/measurement is triggered continuously. If the value is set to ON or 1, another sweep/measurement is triggered as soon as the current one completes. If continuous is set to OFF or 0, the instrument enters the “idle” state and waits for the :INITiate[:IMMediate] command or for :INITiate:CONTinuous ON. The default value is ON. That is, sending :INIT:CONT is equivalent to sending :INIT:CONT ON. The query version of the command returns a 1 if the instrument is continuously sweeping/measuring and returns a 0 if the instrument is in single sweep/measurement mode. Note that rapid toggling between ON and OFF is not allowed. The instrument must be allowed to make a full sweep before toggling can be done.

Parameter: OFF|ON|0|1

Parameter Type: <boolean>

Default Value: ON

Related Command: :INITiate[:IMMediate]

Front Panel Access: Shift-3 (Sweep), Sweep

:INITiate[:IMMediate]

Title: Trigger Sweep/Measurement

Description: Initiates a sweep/measurement. If :INITiate:CONTinuous is set to ON, this command is ignored. Use this command in combination with :STATus:OPERation? to synchronize the capture of one complete set of data. When this command is sent, the “sweep complete” bit of :STATus:OPERation? is set to 0, indicating that the measurement has not completed. The data collection is then triggered. The controlling program can poll:STATus:OPERation? to determine the status. When the “sweep complete” bit is set to 1, data is ready to be retrieved.

Related Command: :INITiate:CONTinuous
:STATus:OPERation?

Front Panel Access: Shift-3 (Sweep), Sweep (Single), Trigger Sweep

14-8 :MEASure Subsystem

These commands take the instrument from its current state, enable the specified measurement and put the instrument into single sweep mode. They correct any parameters that are invalid given the new measurement state such that a valid measurement can take place. Other settings may be changed; see the documentation of CONFigure for each measurement. They then initiate the measurement. When the measurement is complete, they return the result.

To make a measurement with settings other than the “default” measurement settings applied by CONFigure, do the following:

- Send the appropriate CONFigure command to set the desired measurement.
- Modify the settings as required.
- Send the appropriate READ command to measure and return the result.

To get the current measurement data, use the appropriate FETCh command.

:MEASure:DEMod:AVErage?

Title: Measure Constellation with Frequency Error Averaging

Description: Triggers a series of new Constellation measurements and returns the results. The number of measurements is set by the [:SENSE]AVErage:FERRor:COUNT n command.

Although ‘n’ measurements are taken, only a single result string returns. This will be the measured results of the last measurement in the set, except for frequency error, which is averaged over the entire ‘n’ measurements.

Note: If n is large, then an appropriately large value for the time-out of the SCPI interface is required.

Data is returned as 9 comma-delimited values: EVM (rms) in %, EVM (pk) in %, Ref Signal (RS) Power in dBm, Sync Signal (SS) Power in dBm, Carrier Frequency in MHz, Freq Error in Hz, Freq Error in ppm, the Cell ID, and the number of measurements average for Frequency Error. “-” is returned for each data that is not valid at that instance.

Front Panel Access: Measurements, Modulation, Constellation

:MEASure:DEMod:CCPData?

Title: Read Modulation Control Channel Power Data

Description: Sets the active measurement to Control Channel Power, sets the default measurement parameters, triggers a new measurement, and returns the measured values:

RS_POWER, PSS_POWER, SSS_POWER, BCH_POWER, CFI_POWER,
RS_TOTAL_POWER, PSS_TOTAL_POWER, SSS_TOTAL_POWER,
BCH_TOTAL_POWER, CFI_TOTAL_POWER, TOTAL_POWER,
TOTAL_CHANNEL_POWER.

Data returned is the same for Bar Graph or Table mode. The Control Channel Power measurement must be the active measurement.

Front Panel Access: Measurements, Modulation, Control Channel Power

:MEASure:DEMod:CONStln?

Title: Measure Constellation

Description: Triggers a new Constellation measurement and returns the results. The Constellation measurement must be the active measurement (specified by :CONFigure:DEMod CONStln. The current measurement can be queried using the command :CONFigure?

Data is returned as 9 comma-delimited values: EVM (rms) in %, EVM (pk) in %, Ref Signal (RS) Power in dBm, Sync Signal (SS) Power in dBm, Carrier Frequency in MHz, Freq Error in Hz, Freq Error in ppm, the Cell ID, and the number of measurements average for Frequency Error. "--" is returned for each data that is not valid at that instance.

Front Panel Access: Measurements, Modulation, Constellation

:MEASure:OTA:MAPPING?

Title: Measure OTA Coverage Mapping

Description: Sets the active measurement to OTA Coverage Mapping, sets the default measurement parameters, triggers a new measurement, and returns the measured values:

Data is returned as 6 sets of comma-delimited values. Each set as follows: Cell ID, Group ID, Sector ID, S-SS Power, RSRP, RSRQ, and SINR

Following the six sets of data is a final value for the Dominance.

--" is returned for each data that is not valid at that instance.

Default Unit: dBm

Front Panel Access: Measurements, Over-the-Air, Mapping

:MEASure:OTA:MAPPING:RUN START|STOP**:MEASure:OTA:MAPPING:RUN?**

Title: Coverage Mapping Data Collection

Description: Turns On/Off the coverage mapping data collection. Unit needs to be in Mapping measurement mode for this to have any affect.

No data is returned.

Front Panel Access: Measurements, Over-the-Air, Mapping, Start/Stop Data Collection (Main menu key)

:MEASure:OTA:SCANNER?

Title: Measure OTA Scanner

Description: Sets the active measurement to OTA Scanner, sets the default measurement parameters, triggers a new measurement, and returns the measured values:

Data is returned as 6 sets of comma-delimited values. Each set as follows: Cell ID, Group ID, Sector ID, S-SS Power, RSRP, RSRQ, and SINR

Following the six sets of data is a final value for the Dominance.

--" is returned for each data that is not valid at that instance.

Default Unit: dBm

Front Panel Access: Measurements, Over-the-Air, Scanner

:MEASure:OTA:TXTEst?

Title: Measure OTA Tx Test

Description: Sets the active measurement to OTA Tx Test, sets the default measurement parameters, triggers a new measurement, and returns the measured values:

Data is returned as 3 sets of comma-delimited values. Each set as follows: Cell ID, Group ID, Sector ID, S-SS Power, RSRP, RSRQ, and SINR

Following the six sets of data is an additional set of four results: Dominance, Antenna count, Average Power, Delta Power.

“-” is returned for each data that is not valid at that instance.

Default Unit: dBm

Front Panel Access: Measurements, Over-the-Air, Tx Test

:MEASure:RF:ACLR?

Title: Measure Adjacent Channel Leakage Ratio

Description: Sets the active measurement to adjacent channel power ratio, sets the default measurement parameters, triggers a new measurement and returns the main channel(s) power, and adjacent channel(s) power. It is a combination of the commands :CONFigure:RF ACLR and :READ:RF:ACLR? Refer to “:READ:RF:ACLR?” on page 14-17 for a description of the returned data.

Default Unit: dBm

Front Panel Access: Measurements, RF, ACLR

:MEASure:RF:SEM?

Title: Measure Spectral Emission Mask

Description: Sets the active measurement to Spectral Emission Mask and returns a PASS or FAIL result.

Front Panel Access: Measurements, RF, Spectral Emission Mask

:MEASure:RF:SPECTrum?

Title: Measure RF Spectrum

Description: Sets the active measurement to Channel Spectrum, sets the default measurement parameters, triggers a new measurement and returns the Channel Power and Occupied Bandwidth measurement results. It is a combination of the following command: :CONFigure:RF SPECTrum and :READ:RF:SPECTrum?.

Data is returned as 2 comma-delimited values: Channel Power in dBm and Occupied bandwidth in MHz.

Front Panel Access: Measurements, RF, Channel Spectrum

14-9 :READ Subsystem

This set of commands combines the ABORt, INITiate and FETCh commands. It aborts any current triggering sequence and sets the trigger state to idle. It then initiates a new active measurement (i.e. begins the collection of new data). When the measurement is complete, it returns the result. These commands will not switch to another measurement.

To get the current measurement data, use the FETCh command.

:READ:DEMod:CONStln?

Title: Read Constellation

Description: Triggers a new Constellation measurement and returns the results. The Constellation measurement must be the active measurement (specified by :CONFigure:DEMod CONStln. The current measurement can be queried using the command :CONFigure?

Data is returned as 8 comma-delimited values: EVM (rms) in %, EVM (pk) in %, Ref Signal (RS) Power in dBm, Sync Signal (SS) Power in dBm, Carrier Frequency in MHz, Freq Error in Hz, Freq Error in ppm, and the Cell ID. "--" is returned for each data that is not valid at that instance.

Front Panel Access: Measurements, Modulation, Constellation

:READ:OTA:MAPping?

Title: Read OTA Coverage Mapping

Description: Triggers a new OTA Coverage Mapping measurement and returns the results. The OTA Scanner measurement must be the active measurement (specified by :CONFigure:OTA MAPping. The current measurement can be queried using the command :CONFigure?

Data is returned as 6 sets of comma-delimited values. Each set as follows: Cell ID, Group ID, Sector ID, S-SS Power, RSRP, RSRQ, and SINR

Following the six sets of data is a final value for the Dominance.

--" is returned for each data that is not valid at that instance.

Default Unit: dBm

Front Panel Access: Measurements, Over-the-Air, Mapping

:READ:OTA:SCANner?

Title: Read OTA Scanner

Description: Triggers a new OTA Scanner measurement and returns the results. The OTA Scanner measurement must be the active measurement (specified by :CONFigure:OTA SCANner. The current measurement can be queried using the command :CONFigure?

Data is returned as 6 sets of comma-delimited values. Each set as follows: Cell ID, Group ID, Sector ID, S-SS Power, RSRP, RSRQ, and SINR

Following the six sets of data is a final value for the Dominance.

--" is returned for each data that is not valid at that instance.

Default Unit: dBm

Front Panel Access: Measurements, Over-the-Air, Scanner

:READ:OTA:TXTEst?

Title: Read OTA Tx Test

Description: Triggers a new OTA Tx Test measurement and returns the results. The OTA Tx Test measurement must be the active measurement (specified by :CONFigure:OTA Tx Test). The current measurement can be queried using the command :CONFigure?

Data is returned as 3 sets of comma-delimited values. Each set as follows: Cell ID, Group ID, Sector ID, S-SS Power, RSRP, RSRQ, and SINR

Following the six sets of data is an additional set of four numbers: Dominance, Antenna count, Average Power, Delta Power.

“--” is returned for each data that is not valid at that instance.

Default Unit: dBm

Front Panel Access: Measurements, Over-the-Air, Tx Test

:READ:PFail?

Title: Read PASS/FAIL

Description: Triggers a new PASS/FAIL measurement and returns the results. It is a combination of the commands :ABORT; :INITiate; FETCh:PFail? The PASS/FAIL measurement must be active. The current measurement can be queried using :CONFigure?

Related Command: :MEASure:PFail?
:CONFigure PFail
:FETCh:PFail?
:CONFigure PFail

Front Panel Access: Measurements, Pass/Fail Test

:READ:RF:ACLR?

Title: Read Adjacent Channel Leakage Ratio

Description: Triggers a new Adjacent Channel Leakage Ratio measurement and returns the results: Power levels for each channel (both absolute and relative). If the instrument is sweeping, it will not return until the sweep is complete. If the instrument is not sweeping and the current data is not valid it will return error -230. This could occur if there was a *RST immediately before the :FETCh? or if a measurement parameter was changed without an :INITiate.

Data is returned as 11 comma-separated values: Main channel power, Left alternate channel power - relative, absolute, Left adjacent channel power - relative, absolute, Main channel power - relative, absolute, Right adjacent channel power -relative, absolute, Right Alternate channel power - relative, absolute.

Default Unit: dBm

Front Panel Access: Measurements, RF, ACLR

:READ:RF:SEM?

Title: Read RF Spectral Emmission Mask

Description: Triggers a new RF Spectral Emission Mask measurement and returns a PASS or FAIL result. It is a combination of the commands :ABORT; :INITiate; FETCh:RF:SEM? The current measurement can be queried using :CONFigure?

Front Panel Access: Measurements, RF, Spectral Emission Mask

:READ:RF:SPECTrum?

Title: Read RF Spectrum

Description: Triggers a new RF Spectrum measurement and returns the results: Channel Power and Occupied BW measurement. It is a combination of the commands :ABORT; :INITiate; FETCh:RF:SPECTrum? The current measurement can be queried using :CONFigure?

Data is returned as 2 comma-delimited values: Channel Power in dBm and Occupied bandwidth measurement in MHz.

Related Command: :FETCh:RF:SPECTrum?
:CONFigure:RF SPECTrum
:MEASure:RF:SPECTrum?

Front Panel Access: Measurements, RF, Channel Spectrum

14-10 :UNIT Subsystem

The unit subsystem is used to modify the default units used for related parameters. These changes affect parameters in both commands and responses.

:UNIT:POWER DBM|W

:UNIT:POWER?

Title: Measurement Units

Description: Sets>Returns the current display mode for power values as either dBm or in watts.

Parameter: DBM|W

Parameter Type: <char>

Default Value: dBm

Front Panel Access: Amplitude, Units

14-11 [[:SENSE] Subsystem

The commands in this subsystem relate to device-specific parameters, not signal-oriented parameters.

[[:SENSE]:AVERAGE:FERROR:COUNT n

[[:SENSE]:AVERAGE:FERROR:COUNT?

Title: Frequency Error Average

Description: When count is greater than one, the frequency error value is averaged over past measurements. If count is one, then no averaging occurs.

If Count = N, and M is the number of measured values, then when M < N:
 $FE_{next} = (FE1 + FE2 + \dots + FEN-1)/(N-1).$

When M >= N:

$FE_{next} = [(N-1) * FE_{previous} + FE_{new}]/N$

Note: This is commonly called a modified (or running) moving average.

Parameter: 1-15

Parameter Type: <char>

Default Value: 1

Front Panel Access: Setup, Freq Err Ave Cnt

[[:SENSE]:AVERAGE:FERROR:RESET

Title: Frequency Error Average Reset

Description: Resets the frequency error averaging. Does not change the value of Count set with [[:SENSE]:AVERAGE:FERROR:COUNT n.

Front Panel Access: Setup, Freq Err Ave Cnt

[[:SENSE]:BANDWIDTH[:RESOLUTION] 1.4|3|5|10|15|20

[[:SENSE]:BANDWIDTH[:RESOLUTION]?

Title: Bandwidth

Description: Sets the channel bandwidth. 15 MHz and 20 MHz are only available if Option 543 is installed.

Parameter: 1.4|3|5|10|15|20

Parameter Type: <char>

Default Value: The default bandwidth is 10 MHz.

Front Panel Access: Setup, BW

[[:SENSE]:CELLID <char>

[[:SENSE]:CELLID?

Title: Cell ID

Description: Sets the Cell ID value used when Sync Type is set to 'RS'.

Parameter: (the known Cell ID)

Parameter Type: <char>

Front Panel Access: Setup, Sync (RS), Cell ID

[:SENSE]:EVM?

Title: EVM

Description: Returns the measured EVM value. This consists of 4 comma-separated numbers: Mean value, maximum value, minimum value and standard deviation.

[:SENSE]:EVM:MAXHold ON|OFF**[:SENSE]:EVM:MAXHold?**

Title: EVM Max Hold

Description: Turns Max Hold on or off (toggle) for measured EVM value.

Parameter: OFF|ON|0|1

Parameter Type: <boolean>

Default Value: OFF

Related Command: [:SENSE]:EVM?

Front Panel Access: Setup, EVM Max Hold

[:SENSE]:EVM:MODE AUTO|PBCHonly**[:SENSE]:EVM:MODE?**

Title: Set EVM Mode

Description: Sets>Returns the EVM Mode to either Auto or PBCH Only.

Parameter: AUTO|PBCHonly

Parameter Type: <char>

Default Value: AUTO

Front Panel Access: Setup, EVM Mode

[:SENSE]:EVM:RESet

Title: Reset EVM Max Hold

Description: Resets the maximum value stored for the EVM measurement. Also resets minimum, mean and standard deviation.

[:SENSE]:FREQUENCY:CENTer <freq>**[:SENSE]:FREQUENCY:CENTer?**

Title: Center Frequency

Description: Sets the center frequency.

Parameter: <freq>

Default Value: 1 GHz

Default Unit: Hz

Range: 10 MHz to 4 GHz

Front Panel Access: Freq, Center Freq

[:SENSe]:FREQuency:SIGStandard:CHANnel <number>

[:SENSe]:FREQuency:SIGStandard:CHANnel?

Title: Channel Selection

Description: Sets the channel number for the selected signal standard.

Parameter: <number>

Front Panel Access: Frequency, Channel

[:SENSe]:FREQuency:SIGStandard:NAME [String]

[:SENSe]:FREQuency:SIGStandard:NAME?

Title: Signal Standard

Description: Selects the desired signal standard from the list. The <string> argument is the name of the desired signal standard as displayed in the instrument's current signal standard list. The list can be seen on the instrument by choosing the Signal Standard submenu button in the Freq menu. The list can also be downloaded remotely and viewed using Anritsu Master Software Tools. For example, if the desired Signal Standard is P-GSM 900 - Uplink, then the value of the <string> argument would be "P-GSM 900 - Uplink".

The query form of this command will return the name of the currently selected Signal Standard from the list.

Parameter: <string>

Front Panel Access: Freq, Signal Standard

[:SENSe] [:OTA] :MAPping:MEASurement SSSPower | RSRP | RSRQ | SINR
 [:SENSe] [:OTA] :MAPping:MEASurement?

Title: Coverage Mapping Measurement Parameter

Description: Selects the measurement parameter used by the mapping system. The selected parameter's threshold levels will be used to determine the signal quality and cooresponding color displayed on the map. This will also be the parameter name and value shown if a kml file is created and loaded into Google Earth.

Parameter: <string> SSSPower | RSRP | RSRQ | SINR

Default Value: SSSPower

Example: [SENSe:] [OTA:]MAPping:MEASurement SSSPower

Related Command: [:SENSe] [:OTA] :MAPping:SSSPower:THREShold "xx.x, xx.x, xx.x, xx.x, xx.x"
 [:SENSe] [:OTA] :MAPping:SSSPower:THREShold?
 [:SENSe] [:OTA] :MAPping:RSRP:THREShold "xx.x, xx.x, xx.x, xx.x, xx.x"
 [:SENSe] [:OTA] :MAPping:RSRP:THREShold?
 [:SENSe] [:OTA] :MAPping:RSRQ:THREShold "xx.x, xx.x, xx.x, xx.x, xx.x"
 [:SENSe] [:OTA] :MAPping:RSRQ:THREShold?
 [:SENSe] [:OTA] :MAPping:SINR:THREShold "xx.x, xx.x, xx.x, xx.x, xx.x"
 [:SENSe] [:OTA] :MAPping:SINR:THREShold?

Front Panel Access: Measurement, Over-the-Air, Mapping, Measurement Setup, Measurement

```
[:SENSe] [:OTA] :MAPping:SSSPower:THREShold "xx.x,xx.x,xx.x,xx.x,xx.x"
[:SENSe] [:OTA] :MAPping:SSSPower:THREShold?
```

```
[:SENSe] [:OTA] :MAPping:RSRP:THREShold "xx.x,xx.x,xx.x,xx.x,xx.x"
[:SENSe] [:OTA] :MAPping:RSRP:THREShold?
```

```
[:SENSe] [:OTA] :MAPping:RSRQ:THREShold "xx.x,xx.x,xx.x,xx.x,xx.x"
[:SENSe] [:OTA] :MAPping:RSRQ:THREShold?
```

```
[:SENSe] [:OTA] :MAPping:SINR:THREShold "xx.x,xx.x,xx.x,xx.x,xx.x"
[:SENSe] [:OTA] :MAPping:SINR:THREShold?
```

Title: Coverage Mapping Thresholds

Description: The above commands set/return the threshold levels used in coverage mapping. There are five defined levels: Excellent, Very Good, Good, Fair and Poor. For each level, there is a threshold power that sets the lower boundary for that level. Setting the Excellent threshold to -100.0 dBm, for instance, means that measurement greater than -100.0 dBm will be considered excellent in the report and as display on the coverage map. Thresholds are set as a comma separated list of power values in order from Excellent to Poor. No units are used, and when setting the threshold values, enclose the all five values in a single set of quote markers.

Examples: Sending: :SENSe:OTA:MAPping:SSSPower:THREShold?

Returns: -107.0,-110.0,-114.0,-117.0,-120.0

Sending: :SENSe:OTA:MAPping:SSSPower:THREShold "-100.0,-103.0,-104.5,-112.0,-118.0"

Sets the S-SS Power thresholds to:

Excellent: 100.0 dBm

Very Good: 103.0 dBm

Good: 104.5 dBm

Fair: 112.0 dBm

Poor: 118.0 dBm

Parameter: <string> "xxx.x,xxx.x,xxx.x,xxx.x,xxx.x"

Front Panel Access: Measurement, Over-the-Air, Mapping, Measurement Setup, S-SS Thresholds
 Measurement, Over-the-Air, Mapping, Measurement Setup, RSRP Thresholds
 Measurement, Over-the-Air, Mapping, Measurement Setup, RSRQ Thresholds
 Measurement, Over-the-Air, Mapping, Measurement Setup, SINR Thresholds

```
[:SENSe] [:OTA] :MAPping:POInts:DELeTe
```

Title: Clear Coverage Mapping measurement

Description: Clears all data points collected for the coverage map.

Front Panel Access: Measurement, Over-the-Air, Mapping, Point Distance/Time Setup, Delete All Points

```
[:SENSe] [:OTA] :MAPping:RECAll:MAP <filename>
```

Title: Recall Coverage Map

Description: Recalls a saved coverage map from memory.

Front Panel Access: Measurement, Over-the-Air, Mapping, Save/Recall Points/Map, Recall a Map

[:SENSe] [:OTA]:MAPping:RECALL:MAP:DEFAULT

Title: Coverage Map Default Grid

Description: Recalls a default grid for coverage mapping.

Front Panel Access: Measurement, Over-the-Air, Mapping, Save/Recall Points/Map, Recall Default Grid

[:SENSe] [:OTA]:MAPping:REPeat:TYPE: TIME|DISTANCE**[:SENSe] [:OTA]:MAPping:REPeat:TYPE?**

Title: Coverage Map Repeat Type

Description: Sets the mode for determining data collection trigger. Setting is either Time or Distance. In Time mode, data is collected at fixed intervals in time; in Distance mode, data is collected at fixed intervals in distance.

Related Command: [:SENSe] [:OTA]:MAPping:REPeat:TIME
[:SENSe] [:OTA]:MAPping:REPeat:DISTANCE

Front Panel Access: Measurement, Over-the-Air, Mapping, Point Distance/Time Setup, Repeat Type

[:SENSe] [:OTA]:MAPping:REPeat:TIME <seconds>**[:SENSe] [:OTA]:MAPping:REPeat:TIME?**

Title: Coverage Map Repeat Time Interval

Description: Sets the time interval for data collection.

Related Command: [:SENSe][:OTA]:MAPping:REPeat:TYPE: TIME|DISTANCE

Front Panel Access: Measurement, Over-the-Air, Mapping, Point Distance/Time Setup, Repeat Time

[:SENSe] [:OTA]:MAPping:REPeat:DISTANCE <meters>**[:SENSe] [:OTA]:MAPping:REPeat:DISTANCE?**

Title: Coverage Map Repeat Distance Interval

Description: Sets the distance interval for data collection.

Related Command: [:SENSe][:OTA]:MAPping:REPeat:TYPE: TIME|DISTANCE

Front Panel Access: Measurement, Over-the-Air, Mapping, Point Distance/Time Setup, Repeat Distance

[:SENSe] [:OTA]:MAPping:SAVE:KML "<filename>"

Title: Coverage Map Save KML data file

Description: Saves all collected data to a KML data file. This file is compatible with various GIS programs, including Google Maps and Google Earth. The filename must be enclosed in quotation marks. Do not include the file extension.

Front Panel Access: Measurement, Over-the-Air, Mapping, Save/Recall Points/Map, Save KML Points

[:SENSe] [:OTA]:MAPping:SAVE:TEXT "<filename>"

Title: Coverage Map Save KML data file

Description: Saves all collected data to a tab delimited text file. The filename must be enclosed in quotation marks. Do not include the file extension.

Front Panel Access: Measurement, Over-the-Air, Mapping, Save/Recall Points/Map, Save Tab Delimited Points

[:SENSe] [:OTA] :SORTby CELLid|GROUpid|SECTorid|SSSPower|RSRP|RSRQ|SINR
[:SENSe] [:OTA] :SORTby?

Title: OTA Scanner Sort By

Description: Sets the parameter used for sorting the OTA Scanner table. This is used by all OTA displays (Scanner, Tx Test and Mapping).

S-SS Power, RSRP, SINR, RSRQ are descending. Cell ID, Sector ID, Group ID are ascending.

Front Panel Access: Measurement, Over-the-Air, Scanner, Sort By

[:SENSe] :POWer [:RF] :RANGe [:IMMediate]

Title: Amplitude Range

Description: Re-calculates amplitude range. Note that issuing this command will set the automatic dynamic range OFF.

Related Command: [:SENSe] :POWer [:RF] :RANGe :AUTO

Front Panel Access: Amplitude, Adjust Range

[:SENSe] :POWer [:RF] :RANGe :AUTO <Boolean (default=1 [ON])>
[:SENSe] :POWer [:RF] :RANGe :AUTO?

Title: Automatic Amplitude Range

Description: Sets the automatic amplitude range. Setting the value to ON or 1 will result in the amplitude range being coupled to the detected input signal level. Setting the value to OFF or 0 will result in the input attenuation being un-coupled from the input signal level. That is, changing the input signal level will not change the amplitude range. When this command is issued, the amplitude range itself will not change. The default value is ON. That is, sending :SENS:POW:RANG:AUTO is equivalent to sending :SENS:POW:RANG:AUTO ON.

Parameter: OFF|ON|0|1

Parameter Type: <boolean>

Default Value: ON

Related Command: [:SENSe]:POWer[:RF]:RANGe

Front Panel Access: Amplitude, Auto Range

[:SENSe] :RF :SPECTrum :SPAN Auto|1.4|3|5|10|15|20|30
[:SENSe] :RF :SPECTrum :SPAN?

Description: Sets the span for the Spectrum view. For example, setting the value to 5 will set the span for the Spectrum view to 5 MHz and setting the value to 20 will set the span for the Spectrum view to 20 MHz.

Parameter: Auto|1.4|3|5|10|15|20|30

Default Value: Auto

Default Unit: MHz

Front Panel Access: Measurements, RF, Channel Spectrum, Span

[:SENSe]:SYNC:TYPE SS|RS

[:SENSe]:SYNC:TYPE?

Title: Set Sync Type

Description: Sets the sync type setting.

Parameter: SS|RS

Parameter Type: <char>

Default Value: SS

Front Panel Access: Setup, Sync, Sync Type

Chapter 15 — TD-LTE Commands

15-1 :ABORt Subsystem

The abort subsystem includes commands that allow the user to stop current measurement activities on the instrument.

:ABORt

Title: Abort

Description: Restarts the current sweep and/or measurement. If INITiate:CONTinuous is OFF (i.e. the instrument is in single sweep mode), send the command :INITiate[:IMMediate] to trigger the next sweep. If :INITiate:CONTinuous is ON (i.e. the instrument is in continuous sweep mode) a new sweep will start immediately.

Parameter: NA

15-2 :CALCulate Subsystem

The commands in this subsystem process data that has been collected via the SENSE subsystem.

:CALCulate:MARKer:AOff

Title: Turn All Markers Off

Description: Turn off All markers in RF Channel Spectrum and RF Power vs. Time.

Front Panel Access: Marker, Markers Off

:CALCulate:MARKer1:DELTA:X <x1 parameter>,<x2 parameter>

:CALCulate:MARKer1:DELTA:X?

Title: Delta Marker 1 X Value

Description: Sets/Queries the relative location of the delta marker from the reference marker on the x-axis. Note: The query value might not always match the set value since the instrument will round the set value based on the display pixel resolution.

In Channel Spectrum view, the x1 parameter is used to set the delta position. The x2 parameter is ignored. For example, :CALC:MARK1:DELTA:X 2 MHz will set the delta value to 2 MHz. In Power vs. Time view, the x2 parameter is used to set the delta position.

The units must be specified (valid units are us, ms, s). The x1 parameter value is ignored but is required. For example, :CALC:MARK1:DELTA:X 0,1 ms will set the delta value to 1 ms.

Parameters: <x1 parameter>,<x2 parameter>

Default Unit: Hz in RF Channel Spectrum view and microseconds in Power vs Time view.

Related Command: :CALCulate:MARKer1:X

Front Panel Access: Marker, Marker Select (M1), Marker State (Delta), (Use arrow keys or rotary knob.)

:CALCulate:MARKer1:DELTA:Y?

Title: Delta Marker 1 Read Y Value

Description: Reads the current absolute Y value for delta marker 1.

Default Unit: dBm

:CALCulate:MARKer1:MAXimum

Title: Set Marker 1 to Peak

Description: Moves marker 1 to peak position on data trace.

Parameter: NA

Front Panel Access: Marker, Marker Select (M1), Peak Search

:CALCulate:MARKer1:STATE OFF|ON|DELta
:CALCulate:MARKer1:STATE?

Title: Set Marker 1 State

Description: Sets marker 1 on/off or delta.

Parameter: OFF|ON|DELta

Parameter Type: <char>

Default Value: OFF

Front Panel Access: Marker, Marker Select (M1), Marker State

:CALCulate:MARKer1:X <x1 parameter>,<x2 parameter>
:CALCulate:MARKer1:X?

Title: Set Marker 1 Value

Description: Sets/Queries the location of marker 1 on the x-axis at the specified location.

In Channel Spectrum view, the x1 parameter is used to set the position. The x2 parameter is ignored. For example, :CALC:MARK1:X 756.24 MHz will set Marker 1 to 756.24 MHz.

In Power vs. Time view, the x2 parameter is used to set the position of the marker in time units.

The units must be specified (valid units are us, ms, s). The x1 parameter value is ignored but is required. For example, :CALC:MARK1:X 0,1 ms will set Marker 1 to 1 ms.

Parameters: <x1 parameter>,<x2 parameter>

Default Unit: Hz in RF Channel Spectrum view and microseconds in Power vs. Time view.

Front Panel Access: Marker, Marker Select (M1), Peak Search

:CALCulate:MARKer1:Y?

Title: Marker 1 Read Y Value

Description: Reads the current Y value for marker 1.

Default Unit: dBm

:CALCulate:MARKer2:DELTA:X <x1 parameter>,<x2 parameter>

:CALCulate:MARKer2:DELTA:X?

Title: Delta Marker 2 X Value

Description: Sets/Queries the relative location of the delta marker from the reference marker on the x-axis. Note: The query value might not always match the set value since the instrument will round the set value based on the display pixel resolution.

In Channel Spectrum view, the x1 parameter is used to set the delta position. The x2 parameter is ignored. For example, :CALC:MARK2:DELT:X 2 MHz will set the Marker 2 delta value to 2 MHz.

In Power vs. Time view, the x2 parameter is used to set the delta position. The units must be specified (valid units are us, ms, s). The x1 parameter value is ignored but is required.

For example, :CALC:MARK2:DELT:X 0,1 ms will set the Marker 2 delta value to 1 ms.

Parameters: <x1 parameter>,<x2 parameter>

Default Unit: Hz in RF Channel Spectrum view and microseconds in Power vs. Time view.

Related Command: :CALCulate:MARKer2:X

Front Panel Access: Marker, Marker Select (M2), Marker State (Delta), (Use arrow keys or rotary knob.)

:CALCulate:MARKer2:DELTA:Y?

Title: Delta Marker 2 Read Y Value

Description: Reads the current absolute Y value for delta marker 2.

Default Unit: dBm

:CALCulate:MARKer2:MAXimum

Title: Set Marker 2 to Peak

Description: Moves marker 2 to peak position on data trace.

Parameter: NA

Front Panel Access: Marker, Marker Select (M2), Peak Search

:CALCulate:MARKer2:STATE OFF|ON|DELta

:CALCulate:MARKer2:STATE?

Title: Set Marker 2 State

Description: Sets marker 2 on/off or delta.

Parameter: OFF|ON|Delta

Parameter Type: <char>

Default Value: OFF

Front Panel Access: Marker, Marker Select (M2), Marker State

:CALCulate:MARKer2:X <x1 parameter>,<x2 parameter>

:CALCulate:MARKer2:X?

Title: Set Marker 2 Value

Description: Sets/Queries the location of marker 2 on the x-axis at the specified location.

In Channel Spectrum view, the x1 parameter is used to set the position. The x2 parameter is ignored. For example, :CALC:MARK2:X 756.24 MHz will set Marker 2 to 756.24 MHz.

In Power vs. Time view, the x2 parameter is used to set the position of the marker in time units. The units must be specified (valid units are us, ms, s). The x1 parameter value is ignored but is required. For example, :CALC:MARK2:X 0,1 ms will set Marker 2 to 1 ms.

Parameters: <x1 parameter>,<x2 parameter>

Default Unit: Hz in RF Channel Spectrum view and microseconds in Power vs. Time view.

Front Panel Access: Marker, Marker Select (M2), Peak Search

:CALCulate:MARKer2:Y?

Title: Marker2 Read Y Value

Description: Reads the current Y value for marker 2.

Default Unit: dBm

15-3 :CONFigure Subsystem

This set of commands prepares the instrument for the selected measurement. It disables any currently-enabled measurements and activates the specified measurement. It sets the instrument to single sweep mode, waiting for an :INITiate command. It will not initiate the taking of a measurement.

Current instrument settings may be changed to default values. These changes are identified with their respective measurement commands.

:CONFigure SUMMary

Title: Set Measurement to TD-LTE Summary

Description: Sets the measurement to TD-LTE Summary. It disables any other active measurements. None of the instrument parameters are changed by the execution of this command. (:INITiate:CONTinuous OFF). Measurement settings can be modified by using the [:SENSe] commands before initiating a measurement.

Parameter: SUMMary

Parameter Type: <char>

Front Panel Access: Measurements, TD-LTE Summary

:CONFigure?

Title: Configure Query

Description: :CONFigure? query returns the name of the measurement previously set up using a CONFigure command or a MEASure? query. The list below shows the possible return values.

SUMM
 RF,SPEC
 RF,ACLR
 RF,SEM
 RF, PVT, SUBF
 RF, PVT, FRAM
 RF,SUMM
 DEM,CONS
 DEM,CCPG
 DEM,CCPT
 DEM,PVRB
 DEM,SUMM
 PF
 OTA,OTAS
 OTA,OTATX
 OTA,MAP

:CONFigure:DEMod SUMMary|CONStln|CCPGraph|CCPTable

Title: Select the Modulation Measurement

Description: Sets measurement to one of the Modulation screens. This can be one of:

SUMMary: Modulation Summary view
 CONStln: Modulation Constellation diagram.
 CCPGraph: Control Channel Powers - Bar-graph view.
 CCPTable: Control Channel Powers - Table view.

It disables any other active measurements. None of the instrument parameters are changed by the execution of this command. Sets the instrument to single sweep mode (:INITiate:CONTinuous OFF). Measurement settings can be modified by using the [:SENSE] commands before initiating a measurement.

Parameter: SUMMary|CONStln|CCPGraph|CCPTable

Parameter Type: <char>

Front Panel Access: Measurements, Modulation, (Constellation, Control Channel Power, Modulation Summary). If Control Channel Power is selected, press Control Channel Power again then press Display Mode to select Bar Graph or Table.

:CONFigure:OTA SCANner|TXTEst|MAPping

Title: Select the Over-the-Air Scanner Measurement

Description: Sets the measurement to one of the Over-the-Air screens.

Parameter: SCANner|TXTEst|MAPping

Parameter Type: <char>

Front Panel Access: Measurements, Over-the-Air, Scanner

:CONFigure:RF SUMMary|SPECTrum|ACLR|SEM|PVTime

Title: Select RF Measurements

Description: This command configures RF measurements. It disables any other active measurements. None of the instrument parameters are changed by the execution of this command. Sets the instrument to single sweep mode (:INITiate:CONTinuous OFF). Measurement settings can be modified by using the [:SENSE] commands before initiating a measurement.

Set measurement to one of the RF measurement screens. This can be one of:

SUMMary: RF measurement summary screen.
 SPECTrum: RF Channel Spectrum measurement screen.
 ACLR: ACLR measurement view.
 SEM: Spectral Emission Mask measurement.
 PVTime: Power vs. Time measurement

Parameter: SUMMary|SPECTrum|ACLR|SEM|PVTime

Front Panel Access: Measurements, RF, (Channel Spectrum, Power vs. Time, ACLR, Spectral Emission Mask, RF Summary)

:CONFigure:RF:PVTime FRAME|SUBFrame

Title: Configure Power vs Time Measurements

Description: Sets the current display mode for Power vs. Time measurements; either 'Frame' or 'Sub-frame'.

Parameter: FRAME|SUBFrame

Parameter Type: <char>

Front Panel Access: Measurements, RF, Power vs. Time, View

15-4 :DISPlay Subsystem

This subsystem provides commands that modify the display of data for the user. They do not modify the way in which data are returned to the controller.

:DISPlay:WINDow:TRACe:Y[:SCALe]:OFFSet <rel ampl>

:DISPlay:WINDow:TRACe:Y[:SCALe]:OFFSet?

Title: Power Offset

Description: Sets the power offset value for the y-axis.

Parameter: <rel ampl>

Default Value: 0 dB

Default Unit: dB

Range: -100 dB to 100 dB

Front Panel Access: Amplitude, Power Offset

:DISPlay:WINDow:TRACe:Y[:SCALe]:PDIVision <rel ampl>

:DISPlay:WINDow:TRACe:Y[:SCALe]:PDIVision?

Title: Scale

Description: Sets the Scale/Division setting for the y-axis. This only affects the scale for the Channel Spectrum and Power vs Time measurements.

Parameter: <rel ampl>

Default Value: 10 dB/div

Default Unit: dB

Range: 1 dB to 15 dB

Front Panel Access: Amplitude, Scale

15-5 :FETCh Subsystem

This set of commands returns the most recent measurement data of the active measurement. They will not switch to another measurement.

To make a new measurement, use the INITiate command. To get new measurement data, use the READ or MEASure query commands.

:FETCh:DEMod:CCPData?

Title: Fetch Demodulator Code Domain Power Data

Description: Returns the most recent Control Channel Power measurement numeric results.

Data is returned as 24 comma-delimited values: RS_POWER, PSS_POWER, SSS_POWER, BCH_POWER, CFI_POWER, RS_TOTAL_POWER, PSS_TOTAL_POWER, SSS_TOTAL_POWER, BCH_TOTAL_POWER, CFI_TOTAL_POWER, TOTAL_POWER, TOTAL_CHANNEL_POWER

Front Panel Access: Measurements, Modulation, Control Channel Power

:FETCh:DEMod:CONStln?

Title: Fetch Constellation

Description: Returns the constellation measurement numeric results of the demodulated data symbol over one sub-frame measurement. Data is returned as 9 comma-delimited values: EVM (rms) in %, EVM (pk) in %, Ref Signal (RS) Power in dBm, Sync Signal (SS) Power in dBm, Carrier Frequency in MHz, Freq Error in Hz, Freq Error in ppm, the Cell ID, and the number of measurements used in the frequency error average. "--" is returned for each data that is not valid at that instance.

Front Panel Access: Measurements, Modulation, Constellation

:FETCh:OTA:MAPping?

Title: Fetch OTA Coverage Mapping

Description: Returns the most recent Coverage Mapping measurement results. Data is returned as 2 comma-delimited values: Channel Power in dBm and Occupied bandwidth measurement in MHz. "--" is returned for each data that is not valid at that instance.

Data is returned as 6 sets of comma-delimited values. Each set as follows: Cell ID, Group ID, Sector ID, S-SS Power, RSRP, RSRQ, and SINR.

Following the six sets of data is a final value for the Dominance.

--" is returned for each data that is not valid at that instance.

Front Panel Access: Measurements, Over-the-Air, Mapping

:FETCh:OTA:SCANner?

Title: Fetch OTA Scanner

Description: Returns the most recent OTA Scanner measurement results.

Data is returned as 6 sets of comma-delimited values. Each set as follows: Cell ID, Group ID, Sector ID, S-SS Power, RSRP, RSRQ, and SINR

Following the six sets of data is a final value for the Dominance.

--" is returned for each data that is not valid at that instance.

Front Panel Access: Measurements, RF, Channel Spectrum

:FETCh:OTA:TXTEst?

Title: Fetch OTA Tx Test

Description: Returns the most recent OTA Tx Test measurement results. Data is returned as 2 comma-delimited values: Channel Power in dBm and Occupied bandwidth measurement in MHz. "--" is returned for each data that is not valid at that instance.

Data is returned as 3 sets of comma-delimited values. Each set as follows: Cell ID, Group ID, Sector ID, S-SS Power, RSRP, RSRQ, and SINR

Following the six sets of data is an additional set of four numbers: Dominance, Antenna count, Average Power, Delta Power.

--" is returned for each data that is not valid at that instance.

Front Panel Access: Measurements, RF, Channel Spectrum

:FETCh:RF:ACLR?

Title: Fetch Adjacent Channel Leakage Ratio

Description: Returns the most recent adjacent channel leakage ratio measurement results. If the instrument is sweeping, it will not return until the sweep is complete. Refer to [":READ:RF:ACLR?"](#) on page 15-19 for a description of the returned data.

Default Unit: dBm

Front Panel Access: Measurements, RF, ACLR

:FETCh:RF:PVTime?

Title: Fetch Power vs. Time

Description: Returns Power vs. Time measurement results – Total Frame Power, DwPTS Power, Transmit Off Power, Cell ID, Timing Error, Sub-Frame Power 1, 2, ...10. "--" is returned for each data that is not valid at that instance.

Front Panel Access: Measurements, RF, Power vs. Time

:FETCh:RF:SEM?

Title: Fetch Spectral Emission Mask

Description: Returns Spectral Emission Mask measurement results (Pass or Fail).

Front Panel Access: Measurements, RF, Spectral Emission Mask

:FETCh:RF:SPECTrum?

Title: Fetch RF Spectrum

Description: Returns the most recent RF Spectrum measurement results. Data is returned as 2 comma-delimited values: Channel Power in dBm and Occupied bandwidth measurement in MHz. "--" is returned for each data that is not valid at that instance.

Front Panel Access: Measurements, RF, Channel Spectrum

:FETCh:SUMMArY?

Title: Fetch Summary

Description: Returns the values displayed in a Summary measurement view. If the current display is not a summary screen, then the return value is 'N/A'. The return value is a comma separated list of the values displayed on the screen, in the order they are displayed from top to bottom. The list is preceded by the name of the summary view; either "TD-LTE Summary", "RF Summary" or "Modulation Summary".

If frequency Error is a parameter in the summary results, then the returned value will be current displayed value averaged over an indeterminate number of previous measurements.

Averaged value only returned if Frequency Error Average Count > 1. The maximum number of averaged values will be the value setting for Frequency Error Average Count.

15-6 :FORMat Subsystem

This subsystem contains commands that determine the formatting of numeric data when it is transferred.

The format setting affects data in specific commands only. If a command is affected, it is noted in the command description.

```
:FORMat[:READings][:DATA] ASCii|INTeger,32|REAL,32  
:FORMat[:READings][:DATA]?
```

Title: Numeric Data Format

Description: This command specifies the format in which data is returned in certain commands.

ASCii format returns the data in comma-separated ASCII format. The units are the current instrument units. This format requires many more bytes so it is the slowest format.

INTeger values are signed 32-bit integers in little-endian byte order. This format returns the data in 4-byte blocks.

REAL values are 32-bit floating point numbers conforming to the IEEE 754 standard in little-endian byte order. This format returns the data in 4-byte binary format. The units are the current instrument units.

Both INTeger and REAL formats return a definite block length. Each transfer begins with an ASCII header such as #42204. The first digit represents the number of following digits in the header (in this example, 4). The remainder of the header indicates the number of bytes that follow the header (in this example, 2204). You then divide the number of following bytes by the number of bytes in the data format you've chosen (4 for both INTeger and REAL) to get the number of data points (in this example, 551).

Parameter: ASCii|INTeger,32|REAL,32

Parameter Type: <char>

Default Value: ASCii

15-7 :INITiate Subsystem

This subsystem controls the triggering of measurements.

:INITiate:CONTinuous OFF|ON|0|1

:INITiate:CONTinuous?

Title: Continuous/Single Sweep

Description: Specifies whether the sweep/measurement is triggered continuously. If the value is set to ON or 1, another sweep/measurement is triggered as soon as the current one completes. If continuous is set to OFF or 0, the instrument enters the “idle” state and waits for the :INITiate[:IMMediate] command or for :INITiate:CONTinuous ON. The default value is ON. That is, sending :INIT:CONT is equivalent to sending :INIT:CONT ON. The query version of the command returns a 1 if the instrument is continuously sweeping/measuring and returns a 0 if the instrument is in single sweep/measurement mode. Note that rapid toggling between ON and OFF is not allowed. The instrument must be allowed to make a full sweep before toggling can be done.

Parameter: OFF|ON|0|1

Parameter Type: <boolean>

Default Value: ON

Related Command: :INITiate[:IMMediate]

Front Panel Access: Shift-3 (Sweep), Sweep

:INITiate[:IMMediate]

Title: Trigger Sweep/Measurement

Description: Initiates a sweep/measurement. If :INITiate:CONTinuous is set to ON, this command is ignored. Use this command in combination with :STATus:OPERation? to synchronize the capture of one complete set of data. When this command is sent, the “sweep complete” bit of :STATus:OPERation? is set to 0, indicating that the measurement has not completed. The data collection is then triggered. The controlling program can poll:STATus:OPERation? to determine the status. When the “sweep complete” bit is set to 1, data is ready to be retrieved.

Related Command: :INITiate:CONTinuous
:STATus:OPERation?

Front Panel Access: Shift-3 (Sweep), Sweep (Single), Trigger Sweep

15-8 :MEASure Subsystem

These commands take the instrument from its current state, enable the specified measurement and put the instrument into single sweep mode. They correct any parameters that are invalid given the new measurement state such that a valid measurement can take place. Other settings may be changed; see the documentation of CONFigure for each measurement. They then initiate the measurement. When the measurement is complete, they return the result.

To make a measurement with settings other than the “default” measurement settings applied by CONFigure, do the following:

- Send the appropriate CONFigure command to set the desired measurement.
- Modify the settings as required.
- Send the appropriate READ command to measure and return the result.

To get the current measurement data, use the appropriate FETCh command.

:MEASure:DEMod:AVErage?

Title: Measure Constellation with Frequency Error Averaging

Description: Triggers a series of new Constellation measurements and returns the results. The number of measurements is set by the [:SENSE]:AVErage:FERRor:COUnT n command.

Although ‘n’ measurements are taken, only a single result string returns. This will be the measured results of the last measurement in the set, except for frequency error, which is averaged over the entire ‘n’ measurements.

Note: If n is large, then an appropriately large value for the time-out of the SCPI interface is required.

Data is returned as 9 comma-delimited values: EVM (rms) in %, EVM (pk) in %, Ref Signal (RS) Power in dBm, Sync Signal (SS) Power in dBm, Carrier Frequency in MHz, Freq Error in Hz, Freq Error in ppm, the Cell ID, and the number of measurements average for Frequency Error. “-” is returned for each data that is not valid at that instance.

Front Panel Access: Measurements, Modulation, Constellation

:MEASure:DEMod:CCPData?

Title: Read Modulation Control Channel Power Data

Description: Sets the active measurement to Control Channel Power, sets the default measurement parameters, triggers a new measurement, and returns the measured values: RS_POWER, PSS_POWER, SSS_POWER, BCH_POWER, CFI_POWER, RS_TOTAL_POWER, PSS_TOTAL_POWER, SSS_TOTAL_POWER, BCH_TOTAL_POWER, CFI_TOTAL_POWER, TOTAL_POWER, TOTAL_CHANNEL_POWER.

Data returned is the same for Bar Graph or Table mode. The Control Channel Power measurement must be the active measurement.

Front Panel Access: Measurements, Modulation, Control Channel Power

:MEASure:DEMod:CONStln?

Title: Measure Constellation

Description: Triggers a new Constellation measurement and returns the results. The Constellation measurement must be the active measurement (specified by :CONFigure:DEMod CONStln. The current measurement can be queried using the command :CONFigure?

Data is returned as 9 comma-delimited values: EVM (rms) in %, EVM (pk) in %, Ref Signal (RS) Power in dBm, Sync Signal (SS) Power in dBm, Carrier Frequency in MHz, Freq Error in Hz, Freq Error in ppm, the Cell ID, and the number of measurements average for Frequency Error. "--" is returned for each data that is not valid at that instance.

Front Panel Access: Measurements, Modulation, Constellation

:MEASure:OTA:MAPping?

Title: Measure OTA Coverage Mapping

Description: Sets the active measurement to OTA Coverage Mapping, sets the default measurement parameters, triggers a new measurement, and returns the measured values:

Data is returned as 6 sets of comma-delimited values. Each set as follows: Cell ID, Group ID, Sector ID, S-SS Power, RSRP, RSRQ, and SINR

Following the six sets of data is a final value for the Dominance.

--" is returned for each data that is not valid at that instance.

Default Unit: dBm

Front Panel Access: Measurements, Over-the-Air, Mapping

:MEASure:OTA:MAPping:RUN START|STOP**:MEASure:OTA:MAPping:RUN?**

Title: Coverage Mapping Data Collection

Description: Turns On/Off the coverage mapping data collection. Unit needs to be in Mapping measurement mode for this to have any affect.

No data is returned.

Front Panel Access: Measurements, Over-the-Air, Mapping, Start/Stop Data Collection (Main Menu key)

:MEASure:OTA:SCANner?

Title: Measure OTA Scanner

Description: Sets the active measurement to OTA Scanner, sets the default measurement parameters, triggers a new measurement, and returns the measured values:

Data is returned as 6 sets of comma-delimited values. Each set as follows: Cell ID, Group ID, Sector ID, S-SS Power, RSRP, RSRQ, and SINR

Following the six sets of data is a final value for the Dominance.

--" is returned for each data that is not valid at that instance.

Default Unit: dBm

Front Panel Access: Measurements, Over-the-Air, Scanner

:MEASure:OTA:TXTest?

Title: Measure OTA Tx Test

Description: Sets the active measurement to OTA Tx Test, sets the default measurement parameters, triggers a new measurement, and returns the measured values:

Data is returned as 3 sets of comma-delimited values. Each set as follows: Cell ID, Group ID, Sector ID, S-SS Power, RSRP, RSRQ, and SINR

Following the six sets of data is an additional set of four results:

Dominance, Antenna count, Average Power, Delta Power.

“--” is returned for each data that is not valid at that instance.

Default Unit: dBm

Front Panel Access: Measurements, Over-the-Air, Tx Test

:MEASure:RF:ACLR?

Title: Measure Adjacent Channel Leakage Ratio

Description: Sets the active measurement to adjacent channel power ratio, sets the default measurement parameters, triggers a new measurement and returns the main channel(s) power, and adjacent channel(s) power. It is a combination of the commands :CONFigure:RF ACLR and :READ:RF:ACLR? Refer to “:READ:RF:ACLR?” on page 15-19 for a description of the returned data.

Default Unit: dBm

Front Panel Access: Measurements, RF, ACLR

:MEASure:RF:PVTime?

Title: Measure Power vs. Time (Frame)

Description: Sets the active measurement to Power vs. Time (Frame), sets the default measurement parameters, triggers a new measurement and returns the Total Frame Power, DwPTS Power, Transmit Off Power, Cell ID, Timing Error, Sub-Frame Power 1, 2, ...10. “--” is returned for each data that is not valid at that instance. It is a combination of the following commands: :CONFigure:RF:PVTime and :READ:RF:PVTime?

Front Panel Access: Measurements, RF, Power vs. Time

:MEASure:RF:SEM?

Title: Measure Spectral Emission Mask

Description: Sets the active measurement to Spectral Emission Mask and returns a PASS or FAIL result.

Front Panel Access: Measurements, RF, Spectral Emission Mask

:MEASure:RF:SPECTrum?

Title: Measure RF Spectrum

Description: Sets the active measurement to Channel Spectrum, sets the default measurement parameters, triggers a new measurement and returns the Channel Power and Occupied Bandwidth measurement results. It is a combination of the following command: CONFigure:RF SPECTrum and :READ:RF:SPECTrum?. Data is returned as 2 comma-delimited values: Channel Power in dBm and Occupied bandwidth in MHz.

Front Panel Access: Measurements, RF, Channel Spectrum

15-9 :READ Subsystem

This set of commands combines the ABORt, INITiate and FETCh commands. It aborts any current triggering sequence and sets the trigger state to idle. It then initiates a new active measurement (i.e. begins the collection of new data). When the measurement is complete, it returns the result. These commands will not switch to another measurement.

To get the current measurement data, use the FETCh command.

:READ:DEMod:CONStln?

Title: Read Constellation

Description: Triggers a new Constellation measurement and returns the results. The Constellation measurement must be the active measurement (specified by :CONFigure:DEMod CONStln. The current measurement can be queried using the command :CONFigure?

Data is returned as 8 comma-delimited values: EVM (rms) in %, EVM (pk) in %, Ref Signal (RS) Power in dBm, Sync Signal (SS) Power in dBm, Carrier Frequency in MHz, Freq Error in Hz, Freq Error in ppm, and the Cell ID. "--" is returned for each data that is not valid at that instance.

Front Panel Access: Measurements, Modulation, Constellation

:READ:OTA:MAPping?

Title: Read OTA Coverage Mapping

Description: Triggers a new OTA Coverage Mapping measurement and returns the results. The OTA Scanner measurement must be the active measurement (specified by :CONFigure:OTA MAPping. The current measurement can be queried using the command :CONFigure?

Data is returned as 6 sets of comma-delimited values. Each set as follows: Cell ID, Group ID, Sector ID, S-SS Power, RSRP, RSRQ, and SINR.

Following the six sets of data is a final value for the Dominance.

--" is returned for each data that is not valid at that instance.

Default Unit: dBm

Front Panel Access: Measurements, Over-the-Air, Mapping

:READ:OTA:SCANner?

Title: Read OTA Scanner

Description: Triggers a new OTA Scanner measurement and returns the results. The OTA Scanner measurement must be the active measurement (specified by :CONFigure:OTA SCANner. The current measurement can be queried using the command :CONFigure?

Data is returned as 6 sets of comma-delimited values. Each set as follows: Cell ID, Group ID, Sector ID, S-SS Power, RSRP, RSRQ, and SINR

Following the six sets of data is a final value for the Dominance.

--" is returned for each data that is not valid at that instance.

Default Unit: dBm

Front Panel Access: Measurements, Over-the-Air, Scanner

:READ:OTA:TXTEst?

Title: Read OTA Tx Test

Description: Triggers a new OTA Tx Test measurement and returns the results. The OTA Tx Test measurement must be the active measurement (specified by :CONFigure:OTA Tx Test). The current measurement can be queried using the command :CONFigure?

Data is returned as 3 sets of comma-delimited values. Each set as follows: Cell ID, Group ID, Sector ID, S-SS Power, RSRP, RSRQ, and SINR

Following the six sets of data is an additional set of four numbers: Dominance, Antenna count, Average Power, Delta Power.

“--” is returned for each data that is not valid at that instance.

Default Unit: dBm

Front Panel Access: Measurements, Over-the-Air, Tx Test

:READ:PFail?

Title: Read PASS/FAIL

Description: Triggers a new PASS/FAIL measurement and returns the results. It is a combination of the commands :ABORT; :INITiate; FETCh:PFail? The PASS/FAIL measurement must be active. The current measurement can be queried using :CONFigure?

Related Command: :MEASure:PFail?
:CONFigure PFail
:FETCh:PFail?
:CONFigure PFail

Front Panel Access: Measurements, Pass/Fail Test

:READ:RF:ACLR?

Title: Read Adjacent Channel Leakage Ratio

Description: Triggers a new Adjacent Channel Leakage Ratio measurement and returns the results: Power levels for each channel (both absolute and relative). If the instrument is sweeping, it will not return until the sweep is complete. If the instrument is not sweeping and the current data is not valid it will return error -230. This could occur if there was a *RST immediately before the :FETCh? or if a measurement parameter was changed without an :INITiate.

Data is returned as 11 comma-separated values: Main channel power, Left alternate channel power - relative, absolute, Left adjacent channel power - relative, absolute, Main channel power - relative, absolute, Right adjacent channel power - relative, absolute, Right Alternate channel power - relative, absolute.

Default Unit: dBm

Front Panel Access: Measurements, RF, ACLR

:READ:RF:PVTime?

Title: Read Power vs. Time

Description: Triggers a new Power vs. Time measurement and returns the results: Total Frame Power, DwPTS Power, Transmit Off Power, Cell ID, Timing Error, Sub-Frame Power 1, 2, ...10. "--" is returned for each data that is not valid at that instance. It is a combination of the commands :ABORT; :INITiate; :FETCh:RF:PVTime?

The Power vs. Time measurement must be the active measurement (specified by:CONFigure:RF PVTime). The current measurement can be queried using :CONFigure?

Related Command: :FETCh:RF:PVTime?
:CONFigure:RF PVTime

Front Panel Access: Measurements, RF, Power vs. Time

:READ:RF:SEM?

Title: Read RF Spectral Emission Mask

Description: Triggers a new RF Spectral Emission Mask measurement and returns a PASS or FAIL result. It is a combination of the commands :ABORT; :INITiate; FETCh:RF:SEM? The current measurement can be queried using :CONFigure?

Front Panel Access: Measurements, RF, Spectral Emission Mask

:READ:RF:SPECTrum?

Title: Read RF Spectrum

Description: Triggers a new RF Spectrum measurement and returns the results: Channel Power and Occupied BW measurement. It is a combination of the commands :ABORT; :INITiate; FETCh:RF:SPECTrum? The current measurement can be queried using :CONFigure?

Data is returned as 2 comma-delimited values: Channel Power(RSSI) in dBm and Occupied bandwidth measurement in MHz.

Related Command: :FETCh:RF:SPECTrum?
:CONFigure:RF SPECTrum
:MEASure:RF:SPECTrum?

Front Panel Access: Measurements, RF, Channel Spectrum

15-10 :TRIGger Subsystem

This subsystem contains commands related to the triggering of instrument functions for the purposes of synchronization. Related commands appear in the ABORt and INITiate subsystems.

:TRIGger:SEQuence:SLOPe RISing|FALLing

:TRIGger:SEQuence:SLOPe?

Title: External Trigger Polarity

Description: This command sets/returns the external trigger polarity. Note that this setting can only be changed when the Trigger Source is set to "Ext".

Parameter: RISing|FALLing

Parameter Type: <char>

Default Value: RISing

Default Unit: NA

Range: RISing, FALLing

Front Panel Access: Setup, Trigger, Trigger Source (Ext), Trigger Polarity

15-11 :UNIT Subsystem

The unit subsystem is used to modify the default units used for related parameters. These changes affect parameters in both commands and responses.

:UNIT:POWER DBM|W

:UNIT:POWER?

Title: Measurement Units

Description: Sets>Returns the current display mode for power values as either dBm or in watts.

Parameter: DBM|W

Parameter Type: <char>

Default Value: dBm

Front Panel Access: Amplitude, Units

15-12 [[:SENSe] Subsystem

The commands in this subsystem relate to device-specific parameters, not signal-oriented parameters.

[[:SENSe]:AVERage:FERRor:COUNT n

[[:SENSe]:AVERage:FERRor:COUNT?

Title: Frequency Error Average

Description: When count is greater than one, the frequency error value is averaged over past measurements. If count is one, then no averaging occurs.

If Count = N, and M is the number of measured values, then when M < N:

$$FE_{next} = (FE1 + FE2 + \dots + FE_{N-1}) / (N-1).$$

When M >= N:

$$FE_{next} = [(N-1) * FE_{previous} + FE_{new}] / N$$

Note: This is commonly called a modified (or running) moving average.

Parameter: 1-15

Parameter Type: <char>

Default Value: 1

Front Panel Access: Setup, Freq Err Ave Cnt

[[:SENSe]:AVERage:FERRor:RESet

Title: Frequency Error Average Reset

Description: Resets the frequency error averaging. Does not change the value of Count set with [[:SENSe]:AVERage:FERRor:COUNT n.

Front Panel Access: Setup, Freq Err Ave Cnt

[[:SENSe]:BANDWidth[:RESolution] 1.4|3|5|10|15|20

[[:SENSe]:BANDWidth[:RESolution]?

Title: Bandwidth

Description: Sets the channel bandwidth. 15 MHz and 20 MHz are only available if Option 543 is installed.

Parameter: 1.4|3|5|10|15|20

Parameter Type: <char>

Default Value: The default bandwidth is 10 MHz.

Front Panel Access: Setup, BW

[[:SENSe]:EVM?

Title: EVM

Description: Returns the measured EVM value. This consists of 4 comma-separated numbers: Mean value, maximum value, minimum value and standard deviation.

[:SENSe] :EVM:MAXHold ON|OFF

[:SENSe] :EVM:MAXHold?

Title: EVM Max Hold

Description: Turns Max Hold on or off (toggle) for measured EVM value.

Parameter: OFF|ON|0|1

Parameter Type: <boolean>

Default Value: OFF

Related Command: [:SENSe]:EVM?

Front Panel Access: Setup, EVM Max Hold

[:SENSe] :EVM:MODE AUTO|PBCHonly

[:SENSe] :EVM:MODE?

Title: Set EVM Mode

Description: Sets/Returns the EVM Mode to either Auto or PBCH Only.

Parameter: AUTO|PBCHonly

Parameter Type: <char>

Default Value: AUTO

Front Panel Access: Setup, EVM Mode

[:SENSe] :EVM:RESet

Title: Reset EVM Max Hold

Description: Resets the maximum value stored for the EVM measurement. Also resets minimum, mean and standard deviation.

[:SENSe] :FREQuency:CENTer <freq>

[:SENSe] :FREQuency:CENTer?

Title: Center Frequency

Description: Sets the center frequency.

Parameter: <freq>

Default Value: 1 GHz

Default Unit: Hz

Range: 10 MHz to 4 GHz

Front Panel Access: Freq, Center Freq

[:SENSe] :FREQuency:SIGStandard:CHANnel <number>

[:SENSe] :FREQuency:SIGStandard:CHANnel?

Title: Channel Selection

Description: Sets the channel number for the selected signal standard.

Parameter: <number>

Front Panel Access: Frequency, Channel

[:SENSe]:FREQUENCY:SIGStandard:NAME [String]

[:SENSe]:FREQUENCY:SIGStandard:NAME?

Title: Signal Standard

Description: Selects the desired signal standard from the list. The <string> argument is the name of the desired signal standard as displayed in the instrument's current signal standard list. The list can be seen on the instrument by choosing the Signal Standard submenu button in the Freq menu. The list can also be downloaded remotely and viewed using Anritsu Master Software Tools. For example, if the desired Signal Standard is P-GSM 900 - Uplink, then the value of the <string> argument would be "P-GSM 900 - Uplink".

The query form of this command will return the name of the currently selected Signal Standard from the list.

Parameter: <string>

Front Panel Access: Freq, Signal Standard

[:SENSe][:OTA]:MAPPING:MEASUREMENT SSSPower|RSRP|RSRQ|SINR
[:SENSe][:OTA]:MAPPING:MEASUREMENT?

Title: Coverage Mapping Measurement Parameter

Description: Selects the measurement parameter used by the mapping system. The selected parameter's threshold levels will be used to determine the signal quality and cooresponding color displayed on the map. This will also be the parameter name and value shown if a kml file is created and loaded into Google Earth.

Parameter: <string> SSSPower|RSRP|RSRQ|SINR

Default Value: SSSPower

Example: [:SENSe][:OTA]:MAPPING:MEASUREMENT SSSPower

Related Command: [:SENSe][:OTA]:MAPPING:SSSPower:THRESHOLD "xx.x,xx.x,xx.x,xx.x,xx.x"
 [:SENSe][:OTA]:MAPPING:SSSPower:THRESHOLD?
 [:SENSe][:OTA]:MAPPING:RSRP:THRESHOLD "xx.x,xx.x,xx.x,xx.x,xx.x"
 [:SENSe][:OTA]:MAPPING:RSRP:THRESHOLD?
 [:SENSe][:OTA]:MAPPING:RSRQ:THRESHOLD "xx.x,xx.x,xx.x,xx.x,xx.x"
 [:SENSe][:OTA]:MAPPING:RSRQ:THRESHOLD?
 [:SENSe][:OTA]:MAPPING:SINR:THRESHOLD "xx.x,xx.x,xx.x,xx.x,xx.x"
 [:SENSe][:OTA]:MAPPING:SINR:THRESHOLD?

Front Panel Access: Measurement, Over-the-Air, Mapping, Measurement Setup, Measurement

```
[:SENSE] [:OTA]:MAPping:SSSPower:THREShold "xx.x,xx.x,xx.x,xx.x,xx.x"
[:SENSE] [:OTA]:MAPping:SSSPower:THREShold?
```

```
[:SENSE] [:OTA]:MAPping:RSRP:THREShold "xx.x,xx.x,xx.x,xx.x,xx.x"
[:SENSE] [:OTA]:MAPping:RSRP:THREShold?
```

```
[:SENSE] [:OTA]:MAPping:RSRQ:THREShold "xx.x,xx.x,xx.x,xx.x,xx.x"
[:SENSE] [:OTA]:MAPping:RSRQ:THREShold?
```

```
[:SENSE] [:OTA]:MAPping:SINR:THREShold "xx.x,xx.x,xx.x,xx.x,xx.x"
[:SENSE] [:OTA]:MAPping:SINR:THREShold?
```

Title: Coverage Mapping Threholds

Description: The above commands set/return the threshold levels used in coverage mapping. There are five defined levels: Excellent, Very Good, Good, Fair and Poor. For each level, there is a threshold power that sets the lower boundary for that level. Setting the Excellent threshold to -100.0 dBm, for instance, means that measurement greater than -100.0 dBm will be considered excellent in the report and as display on the coverage map.

Thresholds are set as a comma separated list of power values in order from Excellent to Poor. No units are used, and when setting the threshold values, enclose the all five values in a single set of quote markers.

Examples: Sending: SENSE:OTA:MAPping:SSSPower:THREShold?

Returns: -107.0,-110.0,-114.0,-117.0,-120.0

Sending: SENSE:OTA:MAPping:SSSPower:THREShold "-100.0,-103.0,-104.5,-112.0,-118.0"

Sets the S-SS Power thresholds to:

Excellent: 100.0 dBm
 Very Good: 103.0 dBm
 Good: 104.5 dBm
 Fair: 112.0 dBm
 Poor: 118.0 dBm

Parameter: <string> "xxx.x,xxx.x,xxx.x,xxx.x,xxx.x"

Front Panel Access: Measurement, Over-the-Air, Mapping, Measurement Setup, S-SS Thresholds
 Measurement, Over-the-Air, Mapping, Measurement Setup, RSRP Thresholds
 Measurement, Over-the-Air, Mapping, Measurement Setup, RSRQ Thresholds
 Measurement, Over-the-Air, Mapping, Measurement Setup, SINR Thresholds

```
[:SENSE] [:OTA]:MAPping:POInts:DELeTe
```

Title: Clear Coverage Mapping measurement

Description: Clears all data points collected for the coverage map.

Front Panel Access: Measurement, Over-the-Air, Mapping, Point Distance/Time Setup, Delete All Points

```
[:SENSE] [:OTA]:MAPping:RECAll:MAP <filename>
```

Title: Recall Coverage Map

Description: Recalls a saved coverage map from memory.

Front Panel Access: Measurement, Over-the-Air, Mapping, Save/Recall Points/Map, Recall a Map

[:SENSE] [:OTA] :MAPPING:RECALL:MAP:DEFAULT

Title: Coverage Map Default Grid

Description: Recalls a default grid for coverage mapping.

Front Panel Access: Measurement, Over-the-Air, Mapping, Save/Recall Points/Map, Recall Default Grid

[:SENSE] [:OTA] :MAPPING:REPEAT:TYPE: TIME|DISTANCE**[:SENSE] [:OTA] :MAPPING:REPEAT:TYPE?**

Title: Coverage Map Repeat Type

Description: Sets the mode for determining data collection trigger. Setting is either Time or Distance. In Time mode, data is collected at fixed intervals in time; in Distance mode, data is collected at fixed intervals in distance.

Related Command: [:SENSE] [:OTA] :MAPPING:REPEAT:TIME
[:SENSE] [:OTA] :MAPPING:REPEAT:DISTANCE

Front Panel Access: Measurement, Over-the-Air, Mapping, Point Distance/Time Setup, Repeat Type

[:SENSE] [:OTA] :MAPPING:REPEAT:TIME <seconds>**[:SENSE] [:OTA] :MAPPING:REPEAT:TIME?**

Title: Coverage Map Repeat Time Interval

Description: Sets the time interval for data collection.

Related Command: [:SENSE][:OTA]:MAPPING:REPEAT:TYPE: TIME|DISTANCE

Front Panel Access: Measurement, Over-the-Air, Mapping, Point Distance/Time Setup, Repeat Time

[:SENSE] [:OTA] :MAPPING:REPEAT:DISTANCE <meters>**[:SENSE] [:OTA] :MAPPING:REPEAT:DISTANCE?**

Title: Coverage Map Repeat Distance Interval

Description: Sets the distance interval for data collection.

Related Command: [:SENSE] [:OTA] :MAPPING:REPEAT:TYPE: TIME|DISTANCE

Front Panel Access: Measurement, Over-the-Air, Mapping, Point Distance/Time Setup, Repeat Distance

[:SENSE] [:OTA] :MAPPING:SAVE:KML "<filename>"

Title: Coverage Map Save KML data file

Description: Saves all collected data to a KML data file. This file is compatible with various GIS programs, including Google Maps and Google Earth. The filename must be enclosed in quotation marks. Do not include the file extension.

Front Panel Access: Measurement, Over-the-Air, Mapping, Save/Recall Points/Map, Save KML Points

[:SENSE] [:OTA] :MAPPING:SAVE:TEXT "<filename>"

Title: Coverage Map Save KML data file

Description: Saves all collected data to a tab delimited text file. The filename must be enclosed in quotation marks. Do not include the file extension.

Front Panel Access: Measurement, Over-the-Air, Mapping, Save/Recall Points/Map, Save Tab Delimited Points

[:SENSe] [:OTA] :SORTby CELLid|GROUpid|SECTorid|SSSPower|RSRP|RSRQ|SINR
[:SENSe] [:OTA] :SORTby?

Title: OTA Scanner Sort By

Description: Sets the parameter used for sorting the OTA Scanner table. This is used by all OTA displays (Scanner, Tx Test and Mapping).

S-SS Power, RSRP, SINR, RSRQ are descending. Cell ID, Sector ID, Group ID are ascending.

Front Panel Access: Measurement, Over-the-Air, Scanner, Sort By

[:SENSe] :POWER[:RF] :RANGe[:IMMediate]

Title: Amplitude Range

Description: Re-calculates amplitude range. Note that issuing this command will set the automatic dynamic range OFF.

Related Command: [:SENSe] :POWER[:RF] :RANGe:AUTO

Front Panel Access: Amplitude, Adjust Range

[:SENSe] :POWER[:RF] :RANGe:AUTO {Boolean (default=1 [ON])}
[:SENSe] :POWER[:RF] :RANGe:AUTO?

Title: Automatic Amplitude Range

Description: Sets the automatic amplitude range. Setting the value to ON or 1 will result in the amplitude range being coupled to the detected input signal level. Setting the value to OFF or 0 will result in the input attenuation being un-coupled from the input signal level. That is, changing the input signal level will not change the amplitude range.

When this command is issued, the amplitude range itself will not change. The default value is ON. That is, sending :SENS:POW:RANG:AUTO is equivalent to sending :SENS:POW:RANG:AUTO ON.

Parameter: OFF|ON|0|1

Parameter Type: <boolean>

Default Value: ON

Related Command: [:SENSe] :POWER[:RF] :RANGe

Front Panel Access: Amplitude, Auto Range

[:SENSe] :RF:SPECTrum:SPAN Auto|1.4|3|5|10|15|20|30
[:SENSe] :RF:SPECTrum:SPAN?

Title: Automatic Amplitude Range

Description: Sets the span for the Spectrum view. For example, setting the value to 5 will set the span for the Spectrum view to 5 MHz and setting the value to 20 will set the span for the Spectrum view to 20 MHz.

Parameter: Auto|1.4|3|5|10|15|20|30

Default Value: Auto

Default Unit: MHz

Front Panel Access: Measurements, RF, Channel Spectrum, Span

[:SENSe]:SUBFrame <Sub-frame number 0-9>

[:SENSe]:SUBFrame?

Title: Set Sub-Frame Number

Description: Sets/returns the sub-frame number. The sub-frame number is used in Power vs. Time to zoom in the trace data to a particular sub-frame.

Parameter: 0-9

Parameter Type: <char>

Default Value: 0

Front Panel Access: Measurement, RF, Power vs. Time, View (Sub-Frame), Sub-Frame Number

[:SENSe]:TRIGger NOTRIGger|EXTernal

[:SENSe]:TRIGger?

Title: External Trigger

Description: Sets the external trigger. The query form returns either "NOTRIG" or "EXT" in Ascii (without the double quotes).

Default Value: No Trig

Front Panel Access: Setup, Trigger, Trigger Source

Appendix A — Programming Example

A-1 C/C++

This example is run on the command line. It sends the *IDN? query to the instrument and prints the response to the console.

```
// IdnExample.cpp : Microsoft Visual Studio-Generated Example
//          Based on Example 2-1 in the NI-VISA User Manual
//          Usage : IdnExample "USB0::0x0B58::0xFFF9::xxxxxxxx_xxx_xx::INSTR"
//                  where xxxxxxxx_xxx_xx is the USB Device ID of the
//                  instrument.
//          Output : The string identity string returned from the
//                  instrument.
//          VISA Header : visa.h (must be included)
//          VISA Library : visa32.lib(must be linked with)

#include "stdafx.h"
#include "stdio.h"
#include "string.h"
#include "visa.h"

#define BUFFER_SIZE 255

int main(int argc, char* argv[])
{
    ViStatus status; /* For checking errors */
    ViSession defaultRM, instr; /* Communication channels */
    ViUInt32 retCount; /* Return count from string I/O */
    ViChar buffer[BUFFER_SIZE]; /* Buffer for string I/O */
    char tempDisplay[BUFFER_SIZE]; /* Display buffer for example */
    char *pAddress;

    /* Make sure we got our address. */
    if ( argc < 2 )
    {
        printf("Usage: IdnExample
\\\"USB0::0x0B58::0xFFF9::xxxxxxxx_xxx_xx::INSTR\"");
        printf("\t where xxxxxxxx_xxx_xx is the USB Device ID of your
instrument.\n");
        return -1;
    }

    /* Store the address. */
    pAddress = argv[1];

    /* Begin by initializing the system*/
    status = viOpenDefaultRM(&defaultRM);

    if (status < VI_SUCCESS)
```

```

{
    /* Error Initializing VISA...exiting*/
    printf("Can't initialize VISA\n");
    return -1;
}

/* USB0::0x0B58::0xFFFF9::xxxxxxxx_xxx_xx::INSTR*/
/* NOTE: For simplicity, we will not show error checking*/
/* TODO: Add error handling. */
status = viOpen(defaultRM, pAddress, VI_NULL, VI_NULL, &instr);

/* Set the timeout for message-based communication*/
/* TODO: Add error handling. */
status = viSetAttribute(instr, VI_ATTR_TMO_VALUE, 120000);

/* Ask the device for identification */
sprintf(buffer, "*IDN?\n");
status = viWrite(instr, (unsigned char *)&buffer[0], 6, &retCount);
status = viRead(instr, (unsigned char *)buffer, BUFFER_SIZE, &retCount);

/* TODO: Add code to process data. */
strncpy(tempDisplay, buffer, retCount);
tempDisplay[retCount] = 0; /* Null-terminate display string. */
printf("*IDN? Returned %d bytes: %s\n", retCount, tempDisplay);

/* Close down the system */
/* TODO: Add error handling. */
status = viClose(instr);
status = viClose(defaultRM);

return 0;
}

```

A-2 Visual Basic

This function can be called in a Visual Basic program. It sends the *IDN? query to the instrument and returns the byte count and ASCII response string.

Rem This example is based on Example 2-1 from the NI-VISA User Manual.

```
Public Sub IdnMain(ByVal address As String, ByRef byteCount As String, ByRef
returnBytes As String)
    Const BUFFER_SIZE = 200
    Dim stat As ViStatus
    Dim dfltRM As ViSession
    Dim sesn As ViSession
    Dim retCount As Long
    Dim buffer As String * BUFFER_SIZE

    Rem ***Include visa32.dll as a reference in your project.***

    Rem Begin by initializing the system
    stat = viOpenDefaultRM(dfltRM)
    If (stat < VI_SUCCESS) Then
        Rem Error initializing VISA...exiting
        MsgBox "Can't initialize VISA"
        Exit Sub
    End If

    Rem Open communication with Device
    Rem NOTE: For simplicity, we will not show error checking
    Rem TODO: Add error handling.
    stat = viOpen(dfltRM, address, VI_NULL, VI_NULL, sesn)

    Rem Set the timeout for message-based communication
    Rem TODO: Add error handling.
    stat = viSetAttribute(sesn, VI_ATTR_TMO_VALUE, 120000)

    Rem Ask the device for identification
    Rem TODO: Add error handling.
    stat = viWrite(sesn, "*IDN?", 5, retCount)
    stat = viRead(sesn, buffer, BUFFER_SIZE, retCount)

    Rem TODO: Add code to process the data.
    byteCount = retCount
    returnBytes = Left(buffer, retCount)

    Rem Close down the system
    Rem TODO: Add error handling.
    stat = viClose(sesn)
    stat = viClose(dfltRM)
End Sub
```

A-3 LabVIEW™

This example shows how to read the trace data from the instrument in 32-bit integer format. The output is an array of data point magnitudes. **Figure A-1** shows the data capture and conversion to 32-bit integers in the format used by LabVIEW. **Figure A-2** shows the details of the conversion.

Note Your instrument must first be defined to the VISA resource manager using NI-MAX. The VISA resource for your instrument serves as the VISA resource input to the vi.

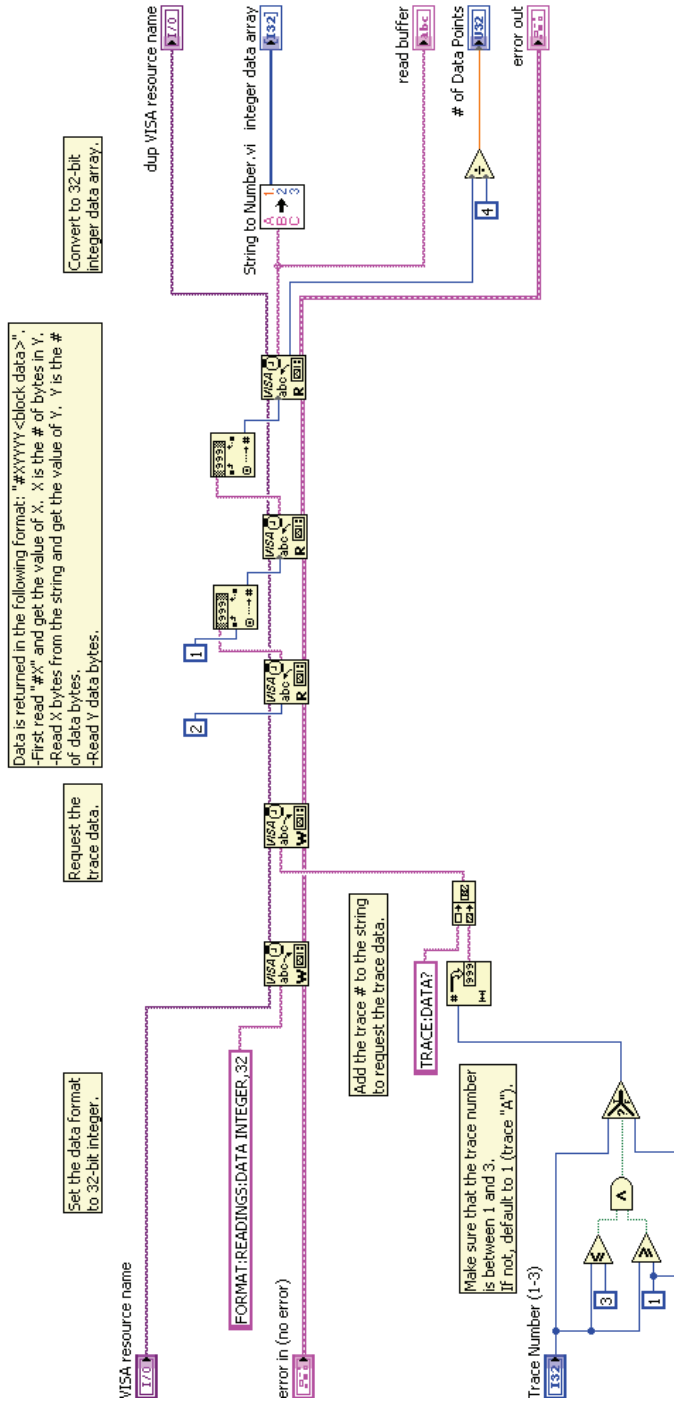


Figure A-1. Data Capture

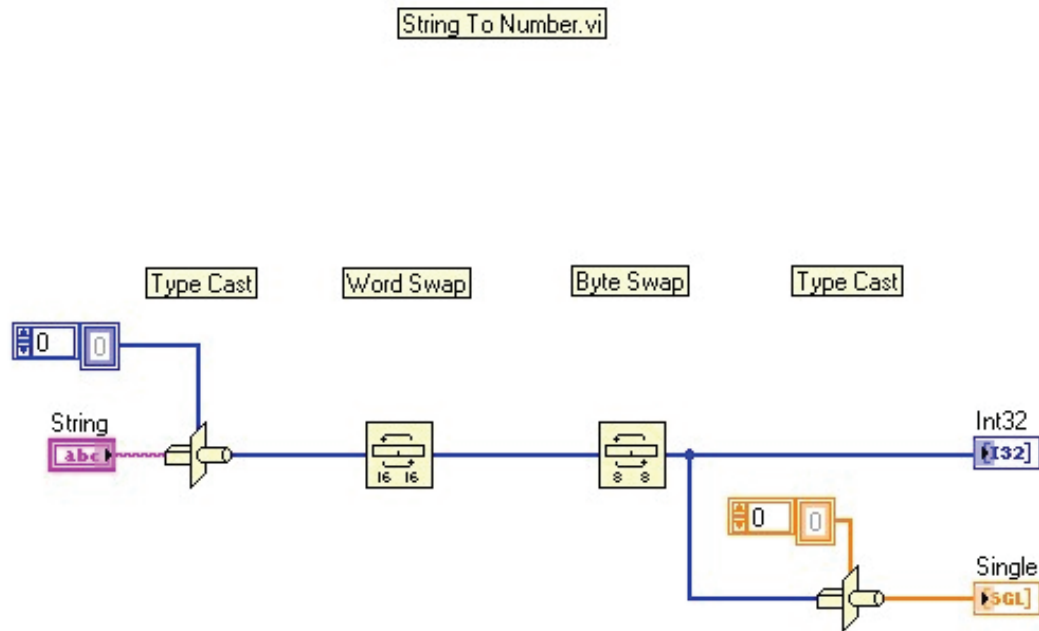


Figure A-2. Data Conversion

Appendix B — IQ Waveform Capture

Example of Metafile and C++ code are shown below. The MATLAB script is used to read a WCAP file from the instrument and unpack the data into a MATLAB array. The C++ sample program uses the SCPI commands to initiate a capture and save it directly to the PC.

B-1 MATLAB Script (getdata_simple_24.m)

```
function Data = getdata_simple_24()
% target file has 24 bit data
% I/Q both contained in same file, 1-by-1
% use with *.wcap files captured manually on unit
% Data contains complex-valued contents of filename.wcap

fidIQ = fopen('filename.wcap','r');

% fetch # of complex data samples
stat = fseekStr(fidIQ, "CaptureSample" Value="");
if stat == -1
    disp 'ERROR: data size could not be found in file';
    fclose(fidIQ);
    return;
else
    samples = fscanf(fidIQ, '%d', 1);
end

% fetch sample rate
stat = fseekStr(fidIQ, "SamplingClock" Value="");
if stat == -1
    disp 'ERROR: sample rate could not be found in file';
    samp_rate = 1;
else
    samp_rate = fscanf(fidIQ, '%d', 1);
end

% fetch freq_offset
stat = fseekStr(fidIQ, "FreqOffset" Value="");
if stat == -1
    disp 'ERROR: sample rate could not be found in file';
    freq_offset = 0;
else
    freq_offset = fscanf(fidIQ, '%e', 1);
end
freq_offset
```

```

%find data section
stat = fseekStr(fidIQ, '<Data>');
if stat == -1
    disp 'ERROR: data could not be found in file';
    fclose(fidIQ);
    return;
end
DataIQ = fread(fidIQ,samples*2,'bit24');
Data = DataIQ(1:2:end) + j*DataIQ(2:2:end);

fclose(fidIQ);

len = length(Data);
%t = [0:len-1]/samp_rate;
freqs = [-len/2:len/2-1]*samp_rate/len;
f = fftshift(20*log10(abs(fft(Data)+eps)));
f = f-max(f);
plot(freqs,f);

length(Data)

function status = fseekStr(fid, str)
% read from fid until we find str
% used to extract values from the XML-based .wcap files
status = 0;
len = length(str);
ii = 1;
fseek(fid,0,'bof');
while ( 1 )
    cc = fread(fid,1);
    if cc == str(ii)
        if ii == len
            break;      %found it, ready to import
        end
        ii = ii + 1;
    else
        ii = 1;
    end
    if feof(fid)
        status = -1;
        return
    end
end
end

```

B-2 C++ Code (IQ_SCPI.cpp)

This script initiates a capture but does not allow for the data to be saved on the instrument. Instead, data is saved directly to the PC.

```

/*
    Anritsu Company
    Example SCPI-based program to initiate IQ capture and receive data on PC

    Data captured using this program will be written to binary output, data.bin.
    Data points are packed in an alternating fashion: I0, Q0, I1, Q1...
    Each data point is 3 bytes in size (I0 = 3 bytes, Q0 = 3 bytes).
*/

#include "stdafx.h"
#include "stdio.h"
#include "string.h"
#include "visa.h"
#include <windows.h>

#define BUFFER_SIZE 0x80000 /* maximum size of scpi response buffer */

int _tmain(int argc, _TCHAR* argv[])
{
    ViStatus status;          /* For checking errors */
    ViSession defaultRM, instr; /* Communication channels */
    ViUInt32 retCount;        /* Return count from string I/O */
    char *pAddress;
    char *pFileName;
    FILE * fd;

    int i;
    ViChar cmdBuf[256];
    ViChar statStr[256];
    char dataBuf[BUFFER_SIZE];

    // the VISA address of the instrument
    pAddress = "TCPIP::10.0.0.10::inst0::INSTR";
    // the output filename of the data
    pFileName = "data.bin";

    /* Begin by initializing the system*/
    status = viOpenDefaultRM(&defaultRM);
    if (status != VI_SUCCESS)
    {
        /* Error Initializing VISA...exiting*/
        printf("Can't initialize VISA\n");
        return -1;
    }

    /* Open communication with TCP/IP device at xxx.xxx.xxx.xxx*/
    /* NOTE: For simplicity, we will not show error checking*/
    /* TODO: Add error handling. */

```

```
status = viOpen(defaultRM, pAddress, VI_NULL, VI_NULL, &instr);
if (status != VI_SUCCESS)
{
    printf("viOpen failed %d\n",status);
    return -1;
}

/* Set the timeout for message-based communication*/
/* TODO: Add error handling. */
status = viSetAttribute(instr, VI_ATTR_TMO_VALUE,30000);

fd = fopen(pFileName,"wb");
if (fd == NULL)
{
    printf("Can't open the file\n");
    status = viClose(instr);
    status = viClose(defaultRM);
    return -1;
}

/* initiate capture */
sprintf(&cmdBuf[0],"MEASure:IQ:CAPture REMote\n");
status = viWrite(instr, (unsigned char
*)&cmdBuf[0], (ViUInt32)strlen(cmdBuf), &retCount);
/* printf("%d, %d, %d\n",i, (numBytes - bytesLeft),retCount); */
if (status != VI_SUCCESS)
{
    printf("viWrite 1 failed 0x%x\n",status);
    viStatusDesc(instr,status,statStr);
    printf("statStr 1 = %s\n",statStr);

    fclose(fd);
    /* Close down the system */
    status = viClose(instr);
    status = viClose(defaultRM);
    return -1;
}

i = 0;
while (1)
{
    /* initiate capture */
    sprintf(&cmdBuf[0],"MEASure:IQ:GET?\n");
    status = viWrite(instr, (unsigned char
*)&cmdBuf[0], (ViUInt32)strlen(cmdBuf), &retCount);
    if (status != VI_SUCCESS)
    {
        printf("viWrite 1 failed 0x%x\n",status);
        viStatusDesc(instr,status,statStr);
        printf("statStr 1 = %s\n",statStr);
        break;
    }
}
```

```

        status = viRead(instr, (unsigned char
*)dataBuf, BUFFER_SIZE, &retCount);
        if (status != VI_SUCCESS)
        {
            printf("viRead 1 failed 0x%x\n", status);
            viStatusDesc(instr, status, statStr);
            printf("statStr 1 = %s\n", statStr);
            break;
        }

        if(!strncmp(dataBuf, "#10", strlen("#10")))
        {
            break;
        }
        else
        {
            /* append data to end of file */
            /* data comes back in form #xyyyyyyyy
            where yyyyyy indicates the size of the buffer and x
indicates the number of digits in the buffer size
            the data immediately follows the buffer size */
            char tempBuf[16];
            int numDigits, size;
            strncpy(tempBuf, &dataBuf[1], 1);
            tempBuf[1] = '\0';
            sscanf(tempBuf, "%d\n", &numDigits);
            strncpy(tempBuf, &dataBuf[2], numDigits);
            tempBuf[numDigits] = '\0';
            sscanf(tempBuf, "%d\n", &size);
            fwrite(&dataBuf[2+numDigits], size, 1, fd);
        }
        printf("i=%d, retCount=%d\n", i++, retCount);
    }

    fclose(fd);
    /* Close down the system */
    /* TODO: Add error handling. */
    status = viClose(instr);
    status = viClose(defaultRM);

    return 0;
}

```


Appendix C — List of Commands by Mode

Chapter 3—All Mode Commands

:INSTrument:CATalog:FULL?	3-1
:INSTrument:NSElect <integer>	
:INSTrument:NSElect?	3-1
:INSTrument[:SElect] <string>	
:INSTrument[:SElect]?	3-1
:MMEMory:DATA <file name>	3-2
:MMEMory:DELeTe <file name>	3-2
:MMEMory:INITialize [USB]	3-3
:MMEMory:LOAD:STATe <integer>,<file name>	3-3
:MMEMory:LOAD:TRACe <integer>,<file name>	3-4
:MMEMory:MSIS INTernal USB	
:MMEMory:MSIS?	3-5
:MMEMory:MSIS:COPIY	3-5
:MMEMory:MSIS:DESTination INTernal USB	
:MMEMory:MSIS:DESTination?	3-5
:MMEMory:STORE:JPEG <file name>	3-6
:MMEMory:STORE:STATe <integer>,<file name>	3-6
:MMEMory:STORE:TRACe <integer>,<file name>	3-6
:STATus:OPERation?	3-7
:SYSTem:OPTions?	3-8
:SYSTem:PRESet	3-8

Chapter 4—Cable & Antenna Commands

:CALCulate:LIMit:ALARm OFF ON 0 1	
:CALCulate:LIMit:ALARm?	4-1
:CALCulate:LIMit:CLEAr	4-1
:CALCulate:LIMit:POINT:ADD	4-1
:CALCulate:LIMit:POINT:FREQuency <freq>	
:CALCulate:LIMit:POINT:FREQuency?	4-2
:CALCulate:LIMit:POINT:VALue <value>	
:CALCulate:LIMit:POINT:VALue?	4-2
:CALCulate:LIMit:POINT?	4-2
:CALCulate:LIMit:VALue <value>	
:CALCulate:LIMit:VALue?	4-2
:CALCulate:LIMit[:STATe] OFF ON 0 1	
:CALCulate:LIMit[:STATe]?	4-3
:CALCulate:MARKer:AOFF	4-3
:CALCulate:MARKer:TABLE:DATA?	4-3
:CALCulate:MARKer:TABLE[:STATe] OFF ON 0 1	
:CALCulate:MARKer:TABLE[:STATe]?	4-4

:CALCulate:MARKer{1 2 3 4 5 6}:DELTA:X <x-parameter>	
:CALCulate:MARKer{1 2 3 4 5 6}:DELTA:X?	4-4
:CALCulate:MARKer{1 2 3 4 5 6}:DELTA:Y?	4-4
:CALCulate:MARKer{1 2 3 4 5 6}:DELTA[:STATe] OFF ON 0 1	
:CALCulate:MARKer{1 2 3 4 5 6}:DELTA[:STATe]?	4-5
:CALCulate:MARKer{1 2 3 4 5 6}:MAXimum	4-5
:CALCulate:MARKer{1 2 3 4 5 6}:MINimum	4-5
:CALCulate:MARKer{1 2 3 4 5 6}:PEAK	4-5
:CALCulate:MARKer{1 2 3 4 5 6}:VALley	4-5
:CALCulate:MARKer{1 2 3 4 5 6}:X <x-parameter>	
:CALCulate:MARKer{1 2 3 4 5 6}:X?	4-6
:CALCulate:MARKer{1 2 3 4 5 6}:Y?	4-6
:CALCulate:MARKer{1 2 3 4 5 6}[:STATe] OFF ON 0 1	
:CALCulate:MARKer{1 2 3 4 5 6}[:STATe]?	4-6
:CALCulate:MATH:FUNCTion NORMAl ADD SUBTRACT	
:CALCulate:MATH:FUNCTion?	4-7
:CALCulate:MATH:MEMorize	4-7
:CALCulate:MATH:OVERlay ON OFF	4-7
:CALCulate:SMOothing <integer>	
:CALCulate:SMOothing?	4-7
:CALCulate:TRANSform:CLAVerage?	4-8
:CALCulate:TRANSform:DISTance:CABLoss	
:CALCulate:TRANSform:DISTance:CABLoss?	4-8
:CALCulate:TRANSform:DISTance:DMAX?	4-8
:CALCulate:TRANSform:DISTance:FRESolution?	4-8
:CALCulate:TRANSform:DISTance:PVELocity	
:CALCulate:TRANSform:DISTance:PVELocity?	4-8
:CALCulate:TRANSform:DISTance:START	
:CALCulate:TRANSform:DISTance:START?	4-9
:CALCulate:TRANSform:DISTance:STOP	
:CALCulate:TRANSform:DISTance:STOP?	4-9
:CALCulate:TRANSform:DISTance:UNIT METers FEET	
:CALCulate:TRANSform:DISTance:UNIT?	4-9
:CALCulate:TRANSform:DISTance:WINDow RECTangular MSLobe NSLobe LSLobe	
:CALCulate:TRANSform:DISTance:WINDow?	4-9
:CALibration:STATe?	4-10
:CONFigure:MEASure:RLDTf	4-11
:CONFigure:MEASure:RLFReq	4-11
:CONFigure:MEASure:1PHase	4-11
:CONFigure:MEASure:SMCHart	4-11
:CONFigure:MEASure:SWRDtf	4-11
:DISPlay:WINDow:TRACe:MEMory[:STATe] OFF ON 0 1	
:DISPlay:WINDow:TRACe:MEMory[:STATe]?	4-12

:DISPlay:WINDow:TRACe:Y[:SCALe]:AUToscale	4-12
:DISPlay:WINDow:TRACe:Y[:SCALe]:BOTTom <value>	4-12
:DISPlay:WINDow:TRACe:Y[:SCALe]:PDIVision <value>	
:DISPlay:WINDow:TRACe:Y[:SCALe]:PDIVision?	4-13
:DISPlay:WINDow:TRACe:Y[:SCALe]:TOP <value>	4-13
:DISPlay:WINDow:TRACe:Y[:SCALe]:SMCHart 0 10 20 30 -3	
:DISPlay:WINDow:TRACe:Y[:SCALe]:SMCHart?	4-14
:FORMat[:READings][:DATA] ASCii INTeger,32 REAL,32	
:FORMat[:READings][:DATA]?	4-15
:INITiate:CONTInuous OFF ON 0 1	
:INITiate:CONTInuous?	4-18
:INITiate:HOLD OFF ON 0 1	
:INITiate:HOLD?	4-18
:INITiate[:IMMEdiate]	4-19
:SOURce:POWer LOW HIGH	
:SOURce:POWer?	4-20
:TRACe:PREAmble? [1]	4-21
:TRACe[:DATA]? [1]	4-21
[:SENSe]:AVERAge:CLEAr	4-22
[:SENSe]:AVERAge:COUNT <integer>	
[:SENSe]:AVERAge:COUNT?	4-22
[:SENSe]:AVERAge[:STATe] OFF ON 0 1	
[:SENSe]:AVERAge[:STATe]?	4-22
[:SENSe]:CORRection:COLLect:ABORt	4-22
[:SENSe]:CORRection:COLLect:DUT:CONNector NMALe NFEMale KMALe KFEMale 716Male 716Female TNC- Male TNCFemale SMAMale SMAFemale USR1 USR2	
[:SENSe]:CORRection:COLLect:DUT:CONNector?	4-23
[:SENSe]:CORRection:COLLect:DUT:USR{1 2}:C{0 1 2 3}	
[:SENSe]:CORRection:COLLect:DUT:USR{1 2}:C{0 1 2 3}?	4-23
[:SENSe]:CORRection:COLLect:DUT:USR{1 2}:OPEN	
[:SENSe]:CORRection:COLLect:DUT:USR{1 2}:OPEN?	4-23
[:SENSe]:CORRection:COLLect:DUT:USR{1 2}:SHORT	
[:SENSe]:CORRection:COLLect:DUT:USR{1 2}:SHORT?	4-24
[:SENSe]:CORRection:COLLect:INITialize	4-24
[:SENSe]:CORRection:COLLect:LOAD	4-24
[:SENSe]:CORRection:COLLect:METHod:POWer LOW HIGH	
[:SENSe]:CORRection:COLLect:METHod:POWer?	4-25
[:SENSe]:CORRection:COLLect:METHod:TYPE 0 1	
[:SENSe]:CORRection:COLLect:METHod:TYPE?	4-25
[:SENSe]:CORRection:COLLect:OPEN	4-25
[:SENSe]:CORRection:COLLect:SHORT	4-25
[:SENSe]:CORRection:COLLect:STATus? [INITialize OPEN SHORT LOAD THRU]	4-26
[:SENSe]:CORRection:COLLect:THRU	4-26

[:SENSe]:CORRection:TYPe STANDARD FLEX	
[:SENSe]:CORRection:TYPe?	4-26
[:SENSe]:FREQuency:CABLe <index>	4-26
[:SENSe]:FREQuency:LINK UPLINK DOWNLINK UPANDDWNLINK	
[:SENSe]:FREQuency:LINK?	4-27
[:SENSe]:FREQuency:STARt <freq>	
[:SENSe]:FREQuency:STARt?	4-27
[:SENSe]:FREQuency:STOP <freq>	
[:SENSe]:FREQuency:STOP?	4-27
[:SENSe]:SWEep:RESolution LOW MEDIum HIGH	
[:SENSe]:SWEep:RESolution?	4-28
[:SENSe]:SWEep:RFIMmunity 0 1	
[:SENSe]:SWEep:RFIMmunity?	4-28

Chapter 5—Spectrum Analyzer Commands

:ABORt	5-1
:CALCulate:LIMit:ALARm OFF ON 0 1	
:CALCulate:LIMit:ALARm?	5-2
:CALCulate:LIMit:CENTer	5-2
:CALCulate:LIMit:ENvelope:CREate	5-2
:CALCulate:LIMit:ENvelope:OFFSet <amplitude>	
:CALCulate:LIMit:ENvelope:OFFSet?	5-3
:CALCulate:LIMit:ENvelope:POINt <number>	
:CALCulate:LIMit:ENvelope:POINt?	5-3
:CALCulate:LIMit:ENvelope:SHAPE SQUARE SLOPE	
:CALCulate:LIMit:ENvelope:SHAPE?	5-3
:CALCulate:LIMit:ENvelope:UPDate:X	5-4
:CALCulate:LIMit:ENvelope:UPDate:Y	5-4
:CALCulate:LIMit:FAIL?	5-4
:CALCulate:LIMit:LOWer:ALARm OFF ON 0 1	
:CALCulate:LIMit:LOWer:ALARm?	5-4
:CALCulate:LIMit:LOWer:FAIL?	5-4
:CALCulate:LIMit:LOWer:POINt?	5-5
:CALCulate:LIMit:LOWer[:STATe] OFF ON 0 1	
:CALCulate:LIMit:LOWer[:STATe]?	5-5
:CALCulate:LIMit:LTYPe ABSolute RELative	
:CALCulate:LIMit:LTYPe?	5-5
:CALCulate:LIMit:MIRRor	5-6
:CALCulate:LIMit:POINt:ADD	5-6
:CALCulate:LIMit:POINt:DELeTe	5-6
:CALCulate:LIMit:POINt:LEFT	5-6
:CALCulate:LIMit:POINt:RIGHT	5-6
:CALCulate:LIMit:POINt:X <x-parameter>	
:CALCulate:LIMit:POINt:X?	5-7

:CALCulate:LIMit:POINt:Y <y-parameter>	
:CALCulate:LIMit:POINt:Y?	5-7
:CALCulate:LIMit:POINt?	5-7
:CALCulate:LIMit:TYPe 0 1	
:CALCulate:LIMit:TYPe?	5-8
:CALCulate:LIMit:UPPer:ALARm OFF ON 0 1	
:CALCulate:LIMit:UPPer:ALARm?	5-8
:CALCulate:LIMit:UPPer:FAIL?	5-8
:CALCulate:LIMit:UPPer:POINt?	5-8
:CALCulate:LIMit:UPPer[:STATe] OFF ON 0 1	
:CALCulate:LIMit:UPPer[:STATe]?	5-9
:CALCulate:LIMit:VALue <value>	5-9
:CALCulate:LIMit:VERTical:ADD	5-9
:CALCulate:LIMit:X <x-parameter>	5-10
:CALCulate:LIMit:Y <y-parameter>	5-10
:CALCulate:LIMit[:SET]:DEFault	5-10
:CALCulate:LIMit[:STATe] OFF ON 0 1	
:CALCulate:LIMit[:STATe]?	5-11
:CALCulate:MARKer:AOFF	5-11
:CALCulate:MARKer:PEAK:THReshold <percentage>	
:CALCulate:MARKer:PEAK:THReshold?	5-11
:CALCulate:MARKer:TABLe[:STATe] OFF ON 0 1	
:CALCulate:MARKer:TABLe[:STATe]?	5-12
:CALCulate:MARKer{1 2 3 4 5 6}:DELTA:NOISe[:STATe] OFF ON 0 1	
:CALCulate:MARKer{1 2 3 4 5 6}:DELTA:NOISe[:STATe]?	5-12
:CALCulate:MARKer{1 2 3 4 5 6}:DELTA:X <x-parameter>	
:CALCulate:MARKer{1 2 3 4 5 6}:DELTA:X?	5-13
:CALCulate:MARKer{1 2 3 4 5 6}:DELTA:Y?	5-13
:CALCulate:MARKer{1 2 3 4 5 6}:DELTA[:SET]:SPAN	5-13
:CALCulate:MARKer{1 2 3 4 5 6}:DELTA[:STATe] OFF ON 0 1	
:CALCulate:MARKer{1 2 3 4 5 6}:DELTA[:STATe]?	5-13
:CALCulate:MARKer{1 2 3 4 5 6}:FCOunt[:STATe] OFF ON 0 1	
:CALCulate:MARKer{1 2 3 4 5 6}:FCOunt[:STATe]?	5-14
:CALCulate:MARKer{1 2 3 4 5 6}:FIXed[:STATe] OFF ON 0 1	
:CALCulate:MARKer{1 2 3 4 5 6}:FIXed[:STATe]?	5-14
:CALCulate:MARKer{1 2 3 4 5 6}:MAXimum	5-14
:CALCulate:MARKer{1 2 3 4 5 6}:MAXimum:LEFT	5-15
:CALCulate:MARKer{1 2 3 4 5 6}:MAXimum:RIGHT	5-15
:CALCulate:MARKer{1 2 3 4 5 6}:NOISe[:STATe] OFF ON 0 1	
:CALCulate:MARKer{1 2 3 4 5 6}:NOISe[:STATe]?	5-15
:CALCulate:MARKer{1 2 3 4 5 6}:X <x-parameter>	
:CALCulate:MARKer{1 2 3 4 5 6}:X?	5-15
:CALCulate:MARKer{1 2 3 4 5 6}:Y?	5-16
:CALCulate:MARKer{1 2 3 4 5 6}[:SET]:CENTer	5-16

:CALCulate:MARKer{1 2 3 4 5 6}[:SET]:RLEVel	5-16
:CALCulate:MARKer{1 2 3 4 5 6}[:STATe] OFF ON 0 1	
:CALCulate:MARKer{1 2 3 4 5 6}[:STATe]?	5-16
:CONFigure:ACPower	5-17
:CONFigure:CHPower	5-17
:CONFigure:FSTRength	5-17
:CONFigure:OBWidth	5-18
:DISPlay:WINDow:TRACe:Y[:SCALe]:PDIVision <rel ampl>	
:DISPlay:WINDow:TRACe:Y[:SCALe]:PDIVision?	5-19
:DISPlay:WINDow:TRACe:Y[:SCALe]:RLEVel <amplitude>	
:DISPlay:WINDow:TRACe:Y[:SCALe]:RLEVel?	5-19
:DISPlay:WINDow:TRACe:Y[:SCALe]:RLEVel:OFFSet <rel ampl>	
:DISPlay:WINDow:TRACe:Y[:SCALe]:RLEVel:OFFSet?	5-19
:FETCh:ACPower?	5-20
:FETCh:CHPower:CHPower?	5-20
:FETCh:CHPower:DENSity?	5-20
:FETCh:CHPower?	5-21
:FETCh:OBWidth:FREQuency?	5-21
:FETCh:OBWidth?	5-21
:FORMat[:READings][:DATA] ASCii INTEger,32 REAL,[<length>]	
:FORMat[:READings][:DATA]?	5-22
:INITiate:CONTInuous OFF ON 0 1	
:INITiate:CONTInuous?	5-23
:INITiate:[IMMediate] ONCE AVERAge	5-23
:MEASure:ACPower?	5-24
:MEASure:CHPower:CHPower?	5-24
:MEASure:CHPower:DENSity?	5-25
:MEASure:CHPower?	5-25
:MEASure:IQ:CAPture SINGLE REMote	5-25
:MEASure:IQ:GET?	5-26
:MEASure:OBWidth?	5-26
:MMEMory:STORe:LIMit <file name>	5-27
:READ:ACPower?	5-28
:READ:CHPower:DENSity?	5-28
:READ:CHPower?	5-28
:READ:OBWidth?	5-29
:TRACe:COpy TRACE1,TRACE2 TRACE3	5-30
:TRACe:EXCHange TRACE2,TRACE3	5-30
:TRACe:PREamble? {1 2 3}	5-31
:TRACe[:DATA] {1 2 3},(<header><block>)	
:TRACe[:DATA]? {1 2 3}	5-31

:TRACe{1 2 3}:DISPlay[:STATe] OFF ON 0 1	
:TRACe{1 2 3}:DISPlay[:STATe]?	5-32
:TRACe{1 2 3}:WRITe[:STATe] OFF ON 0 1	
:TRACe{1 2 3}:WRITe[:STATe]?	5-32
:TRACe1:OPERation NORMAl MAXHold MINHold AVERAge	
:TRACe1:OPERation?	5-33
:TRACe2:OPERation MAXHold MINHold	
:TRACe2:OPERation?	5-33
:TRACe3:OPERation MAXHold MINHold A-B B-A	
:TRACe3:OPERation?	5-34
:TRIGger[:SEQuence]:SOURce IMMEDIATE EXTernal VIDeo	
:TRIGger[:SEQuence]:SOURce?	5-35
:TRIGger[:SEQuence]:VIDeo:DELay <percentage> or <time>	
:TRIGger[:SEQuence]:VIDeo:DELay?	5-35
:TRIGger[:SEQuence]:VIDeo:LEVel <amplitude>	
:TRIGger[:SEQuence]:VIDeo:LEVel?	5-36
:TRIGger[:SEQuence]:VIDeo:POSition <percentage>	
:TRIGger[:SEQuence]:VIDeo:POSition?	5-36
:UNIT:POWer DBM DBV DBMV DBUV V W	
:UNIT:POWer?	5-37
[[:SENSe]:ACPower:BANDwidth BWIDth:ADJacent <freq>	
[[:SENSe]:ACPower:BANDwidth BWIDth:ADJacent?	5-38
[[:SENSe]:ACPower:BANDwidth BWIDth:MAIN <freq>	
[[:SENSe]:ACPower:BANDwidth BWIDth:MAIN?	5-38
[[:SENSe]:ACPower:BANDwidth BWIDth:SPACing <freq>	
[[:SENSe]:ACPower:BANDwidth BWIDth:SPACing?	5-38
[[:SENSe]:ACPower:STATe OFF ON 0 1	
[[:SENSe]:ACPower:STATe?	5-38
[[:SENSe]:AVERAge:COUNT <integer>	
[[:SENSe]:AVERAge:COUNT?	5-39
[[:SENSe]:AVERAge:TYPE NONE SCALAr MAXimum MINimum	
[[:SENSe]:AVERAge:TYPE?	5-39
[[:SENSe]:BANDwidth BWIDth:VIDeo <freq>	
[[:SENSe]:BANDwidth BWIDth:VIDeo?	5-40
[[:SENSe]:BANDwidth BWIDth:VIDeo:AUTO OFF ON 0 1	
[[:SENSe]:BANDwidth BWIDth:VIDeo:AUTO?	5-40
[[:SENSe]:BANDwidth BWIDth:VIDeo:RATio <number>	
[[:SENSe]:BANDwidth BWIDth:VIDeo:RATio?	5-40
[[:SENSe]:BANDwidth BWIDth:VIDeo:TYPE LOGarithmic LINear	
[[:SENSe]:BANDwidth BWIDth:VIDeo:TYPE?	5-41
[[:SENSe]:BANDwidth BWIDth[:RESolution] <freq>	
[[:SENSe]:BANDwidth BWIDth[:RESolution]?	5-41
[[:SENSe]:BANDwidth BWIDth[:RESolution]:AUTO OFF ON 0 1	
[[:SENSe]:BANDwidth BWIDth[:RESolution]:AUTO?	5-41
[[:SENSe]:BANDwidth BWIDth[:RESolution]:RATio <number>	
[[:SENSe]:BANDwidth BWIDth[:RESolution]:RATio?	5-42

[SENSe]:CHPower:BANDwidth BWIDth:INTEgration <freq>	
[SENSe]:CHPower:BANDwidth BWIDth:INTEgration?	5-42
[SENSe]:CHPower:STATe OFF ON 0 1	
[SENSe]:CHPower:STATe?	5-42
[SENSe]:CORRection:IMPedance[:INPut]:OFFSet <rel ampl>	
[SENSe]:CORRection:IMPedance[:INPut]:OFFSet?	5-43
[SENSe]:CORRection:IMPedance[:INPut][:MAGNitude] <integer>	
[SENSe]:CORRection:IMPedance[:INPut][:MAGNitude]?	5-43
[SENSe]:DETEctor[:FUNCTion] POSitive RMS NEGative SAMPlE QUASI	
[SENSe]:DETEctor[:FUNCTion]?	5-43
[SENSe]:FREQuency:CENTEr <freq>	
[SENSe]:FREQuency:CENTEr?	5-44
[SENSe]:FREQuency:SIGStandard:CHANnel <number>	
[SENSe]:FREQuency:SIGStandard:CHANnel?	5-44
[SENSe]:FREQuency:SIGStandard:NAME <string>	
[SENSe]:FREQuency:SIGStandard:NAME?	5-44
[SENSe]:FREQuency:SPAN <freq>	
[SENSe]:FREQuency:SPAN?	5-44
[SENSe]:FREQuency:SPAN:FULL	5-45
[SENSe]:FREQuency:SPAN:PREVious	5-45
[SENSe]:FREQuency:STARt <freq>	
[SENSe]:FREQuency:STARt?	5-45
[SENSe]:FREQuency:STEP[:INCRement] <freq>	
[SENSe]:FREQuency:STEP[:INCRement]?	5-45
[SENSe]:FREQuency:STOP <freq>	
[SENSe]:FREQuency:STOP?	5-46
[SENSe]:FSTRength:ANTenna <antenna>	
[SENSe]:FSTRength:ANTenna?	5-46
[SENSe]:FSTRength:STATe OFF ON 0 1	
[SENSe]:FSTRength:STATe?	5-46
[SENSe]:IQ:SAMPlerate <freq>	
[SENSe]:IQ:SAMPlerate?	5-47
[SENSe]:IQ:LENgth <seconds>	
[SENSe]:IQ:LENgth?	5-47
[SENSe]:OBWidth:METhod XDB PERCent	
[SENSe]:OBWidth:METhod?	5-47
[SENSe]:OBWidth:PERCent <percentage>	
[SENSe]:OBWidth:PERCent?	5-48
[SENSe]:OBWidth:STATe OFF ON 0 1	
[SENSe]:OBWidth:STATe?	5-48
[SENSe]:OBWidth:XDB <rel ampl>	
[SENSe]:OBWidth:XDB?	5-48
[SENSe]:OPTion:IF:BWState 1 2 3 4 5	
[SENSe]:OPTion:IF:BWState?	5-49
[SENSe]:POWEr[:RF]:ATTenuation <rel ampl>	
[SENSe]:POWEr[:RF]:ATTenuation?	5-49

[SENSe]:POWer[:RF]:ATTenuation:AUTO OFF ON 0 1	
[SENSe]:POWer[:RF]:ATTenuation:AUTO?	5-49
[SENSe]:POWer[:RF]:GAIN[:STATe] OFF ON 0 1	
[SENSe]:POWer[:RF]:GAIN[:STATe]?	5-50
[SENSe]:SWEep:TIME[:LLIMit]	
[SENSe]:SWEep:TIME[:LLIMit]?	5-50
[SENSe]:SWEep:TIME:ACTual?	5-50
[SENSe]:SWEep:TIME:AUTO ON OFF	
[SENSe]:SWEep:TIME:AUTO?	5-50

Chapter 6—VSG Commands

:INITiate:IMMediate	6-1
[SENSe]:FREQUency:CENTer[:SIGNal] <freq>	
[SENSe]:FREQUency:CENTer[:SIGNal]?	6-1
[SENSe]:FREQUency:OFFSet[:INTerferer] <freq>	
[SENSe]:FREQUency:OFFSet[:INTerferer]?	6-1
[SENSe]:INTerferer:MODE OFF CW MOD	
[SENSe]:INTerferer:MODE?	6-1
[SENSe]:INTerferer:POWer <power level>	
[SENSe]:INTerferer:POWer?	6-2
[SENSe]:INTerferer:USER:PATTern	
[SENSe]:INTerferer:USER:PATTern?	6-2
[SENSe]:NOISe:POWer <power level>	
[SENSe]:NOISe:POWer?	6-2
[SENSe]:RF OFF ON 0 1	
[SENSe]:RF?	6-2
[SENSe]:TRIGger <NONE POS NEG>	
[SENSe]:TRIGger?	6-2
[SENSe]:TRIGger:DELay <seconds>	
[SENSe]:TRIGger?	6-2
[SENSe][:SIGNal]:MODE OFF CW MOD	
[SENSe][:SIGNal]:MODE?	6-2
[SENSe][:SIGNal]:POWer <power level>	
[SENSe][:SIGNal]:POWer?	6-3
[SENSe][:SIGNal]:USER:PATTern	
[SENSe][:SIGNal]:USER:PATTern?	6-3

Chapter 7—GSM Commands

:ABORt	7-1
:CONFigure:SUMMary	7-2
:CONFigure:DEMod	7-2
:CONFigure:PFail	7-2
:CONFigure:PVTFrAmE	7-3
:CONFigure:PVTSlot	7-3
:CONFigure:SPECTrum:MULTi	7-3
:CONFigure:SPECTrum:SINGLE	7-3

:CONFigure?	7-4
:DISPlay:WINDow:TRACe:Y[:SCALE]:OFFSet <rel amp>	
:DISPlay:WINDow:TRACe:Y[:SCALE]:OFFSet?	7-5
:FETCh:DEMod?	7-6
:FETCh:PFail?	7-6
:FETCh:PVTFrame?	7-7
:FETCh:PVTSlot?	7-7
:FETCh:SPECtrum:MULTi?	7-7
:FETCh:SPECtrum:SINGle?	7-7
:FORMat[:READings][:DATA] ASCii INTEger,32 REAL,32	
:FORMat[:READings][:DATA]?	7-8
:INITiate:CONTInuous OFF ON 0 1	
:INITiate:CONTInuous?	7-9
:INITiate[:IMMediate]	7-9
:MEASure:DEMod?	7-10
:MEASure:PFail?	7-10
:MEASure:PVTFrame?	7-11
:MEASure:PVTSlot?	7-11
:MEASure:SPECtrum:MULTi?	7-12
:MEASure:SPECtrum:SINGle?	7-12
:READ:DEMod?	7-13
:READ:PFail?	7-13
:READ:PVTFrame?	7-14
:READ:PVTSlot?	7-14
:READ:SPECtrum:MULTi?	7-14
:READ:SPECtrum:SINGle?	7-15
:TRACe:PREamble? <trace type>	7-16
:TRACe[:DATA]? <trace type>	7-16
[:SENSe]:FREQuency:BAND AUTO GSM EDGE	
[:SENSe]:FREQuency:BAND?	7-17
[:SENSe]:FREQuency:CENTer <freq>	
[:SENSe]:FREQuency:CENTer?	7-17
[:SENSe]:FREQuency:SIGStandard <index>	
[:SENSe]:FREQuency:SIGStandard?	7-17
[:SENSe]:FREQuency:SIGStandard:CHANnel <number>	
[:SENSe]:FREQuency:SIGStandard:CHANnel?	7-18
[:SENSe]:FREQuency:STARt?	7-18
[:SENSe]:FREQuency:STOP?	7-18
[:SENSe]:PFail <test set>	
[:SENSe]:PFail?	7-18
[:SENSe]:POWer[:RF]:RANGe:AUTO OFF ON 0 1	
[:SENSe]:POWer[:RF]:RANGe:AUTO?	7-19
[:SENSe]:POWer[:RF]:RANGe[:IMMediate]	7-19

[:SENSe]:PVTFrame:START?	7-19
[:SENSe]:PVTFrame:STOP?	7-19
[:SENSe]:PVTSlot:START?	7-19
[:SENSe]:PVTSlot:STOP?	7-20

Chapter 8—WCDMA Commands

:ABORt	8-1
:CALCulate:MARKer:AOFF	8-2
:CALCulate:MARKer{1 2 3 4 5 6}:X <x-parameter>	
:CALCulate:MARKer{1 2 3 4 5 6}:X?	8-2
:CALCulate:MARKer{1 2 3 4 5 6}:Y?	8-2
:CALCulate:MARKer{1 2 3 4 5 6}[:STATe] OFF ON 0 1	
:CALCulate:MARKer{1 2 3 4 5 6}[:STATe]?	8-2
:CONFigure SUMMary PFail	8-3
:CONFigure:DEMod <char>	8-3
:CONFigure:OTA	8-4
:CONFigure:RF <char>	8-4
:DISPlay:WINDow:TRACe:Y[:SCALe]:OFFSet <rel ampl>	
:DISPlay:WINDow:TRACe:Y[:SCALe]:OFFSet?	8-5
:DISPlay:WINDow:TRACe:Y[:SCALe]:PDIVision <rel ampl>	
:DISPlay:WINDow:TRACe:Y[:SCALe]:PDIVision?	8-5
:FETCh:ACLR?	8-6
:FETCh:CHPower?	8-6
:FETCh:DEMod:ACTChannels?	8-6
:FETCh:DEMod:CDPower?	8-7
:FETCh:DEMod:CFTHrough?	8-7
:FETCh:DEMod:EVM?	8-7
:FETCh:DEMod:FERRor:PPM?	8-7
:FETCh:DEMod:FERRor:PRECise?	8-8
:FETCh:DEMod:FERRor?	8-8
:FETCh:DEMod:HSDPa:FERRor:PPM?	8-8
:FETCh:DEMod:HSDPa:FERRor?	8-8
:FETCh:DEMod:HSDPa:TXFrequency?	8-9
:FETCh:DEMod:NFLoor?	8-9
:FETCh:DEMod:NUMChannels?	8-9
:FETCh:DEMod:SPOWer?	8-9
:FETCh:DEMod:SUMMary?	8-10
:FETCh:DEMod:TXFrequency:PRECise?	8-10
:FETCh:DEMod:TXFrequency?	8-10
:FETCh:EMISSion:FAIL?	8-10
:FETCh:EMISSion:TEMPlate:DATA?	8-11

:FETCh:EMISsion:TEMPlate?.....	8-11
:FETCh:EMISsion?.....	8-12
:FETCh:OBWidth?.....	8-12
:FETCh:OTA{1 2 3 4 5 6}?	8-12
:FETCh:PFail?.....	8-13
:FETCh:PTAPower?.....	8-13
:FETCh:RF:SUMMary?	8-13
:FORMat[:READings][:DATA] ASCii INTeger,32 REAL,32	
:FORMat[:READings][:DATA]?.....	8-14
:INITiate:CONTInuous OFF ON 0 1	
:INITiate:CONTInuous?	8-15
:INITiate[:IMMEDIATE]	8-15
:MEASure:ACLR?	8-16
:MEASure:CHPower?.....	8-16
:MEASure:DEMod:ACTChannels?.....	8-17
:MEASure:DEMod:CDPower?.....	8-17
:MEASure:DEMod:CFTThrough?	8-17
:MEASure:DEMod:EVM?	8-18
:MEASure:DEMod:FERRor:PPM?	8-18
:MEASure:DEMod:FERRor:PRECise?	8-18
:MEASure:DEMod:FERRor?.....	8-19
:MEASure:DEMod:HSDPa:FERRor:PPM?	8-19
:MEASure:DEMod:HSDPa:FERRor?	8-19
:MEASure:DEMod:HSDPa:TXFRequency?	8-20
:MEASure:DEMod:NFLoor?.....	8-20
:MEASure:DEMod:NUMChannels?.....	8-20
:MEASure:DEMod:SPOWer?.....	8-21
:MEASure:DEMod:SUMMary?	8-21
:MEASure:DEMod:TXFRequency:PRECise?	8-22
:MEASure:DEMod:TXFRequency?	8-22
:MEASure:EMISsion:FAIL?.....	8-22
:MEASure:EMISsion:TEMPlate:DATA?	8-23
:MEASure:EMISsion:TEMPlate?.....	8-23
:MEASure:EMISsion?.....	8-23
:MEASure:OBWidth?.....	8-24
:MEASure:OTA{1 2 3 4 5 6}?	8-24
:MEASure:PFail?.....	8-24
:MEASure:PTAPower?.....	8-25
:MEASure:RF:SUMMary?	8-25
:READ:ACLR?.....	8-26

:READ:CHPower?	8-26
:READ:DEMod:ACTChannels?	8-26
:READ:DEMod:CDPower?	8-27
:READ:DEMod:CFTHrough?	8-27
:READ:DEMod:EVM?	8-27
:READ:DEMod:FERRor:PPM?	8-27
:READ:DEMod:FERRor:PRECise?	8-28
:READ:DEMod:FERRor?	8-28
:READ:DEMod:HSDPa:FERRor:PPM?	8-28
:READ:DEMod:HSDPa:FERRor?	8-28
:READ:DEMod:HSDPa:TXFRequency?	8-29
:READ:DEMod:NFLoor?	8-29
:READ:DEMod:NUMChannels?	8-29
:READ:DEMod:SPOWer?	8-29
:READ:DEMod:SUMMary?	8-30
:READ:DEMod:TXFRequency:PRECise?	8-30
:READ:DEMod:TXFRequency?	8-30
:READ:EMISsion:FAIL?	8-30
:READ:EMISsion:TEMPlate:DATA?	8-31
:READ:EMISsion:TEMPlate?	8-31
:READ:EMISsion?	8-31
:READ:OBWidth?	8-31
:READ:OTA{1 2 3 4 5 6}?	8-32
:READ:PFail?	8-32
:READ:PTAPower?	8-32
:READ:RF:SUMMary?	8-33
:TRACe:PREamble? <trace type>	8-34
:TRACe[:DATA] ACLR SPECtrum EMISsion DEMod,(<header><block>)	
:TRACe[:DATA]? ACLR SPECtrum EMISsion DEMod	8-34
[:SENSe]:AVERAge:FERRor OFF ON 0 1	
[:SENSe]:AVERAge:FERRor?	8-35
[:SENSe]:AVERAge:FERRor:COUNT <integer>	
[:SENSe]:AVERAge:FERRor:COUNT?	8-35
[:SENSe]:DEMod:CODogram:TIME <seconds>	
[:SENSe]:DEMod:CODogram:TIME?	8-35
[:SENSe]:DEMod:CPICh:ABSolute?	8-36
[:SENSe]:DEMod:CPICh:RELative?	8-36
[:SENSe]:DEMod:CTRLchannels:UNIT RELative ABSolute DELTA	
[:SENSe]:DEMod:CTRLchannels:UNIT?	8-36
[:SENSe]:DEMod:HSDPa:IQPersistence <integer>	
[:SENSe]:DEMod:HSDPa:IQPersistence?	8-36

[SENSe]:DEMod:HSDPa:TIME <seconds>	
[SENSe]:DEMod:HSDPa:TIME?	8-37
[SENSe]:DEMod:PCCPch:RELative?	8-37
[SENSe]:DEMod:PCDerror?	8-37
[SENSe]:DEMod:PICH:CODE <code number>	
[SENSe]:DEMod:PICH:CODE?	8-37
[SENSe]:DEMod:SCCPch:CODE <code number>	
[SENSe]:DEMod:SCCPch:CODE?	8-37
[SENSe]:DEMod:SCCPch:SFACTOR 4 8 16 32 64 128 256	
[SENSe]:DEMod:SCCPch:SFACTOR?	8-38
[SENSe]:DEMod:SCODE <scrambling code>	
[SENSe]:DEMod:SCODE?	8-38
[SENSe]:DEMod:SCODE:AUTO OFF ON 0 1	
[SENSe]:DEMod:SCODE:AUTO?	8-38
[SENSe]:DEMod:SFACTOR 256 512	
[SENSe]:DEMod:SFACTOR?	8-38
[SENSe]:DEMod:THRShold <rel ampl>	
[SENSe]:DEMod:THRShold?	8-39
[SENSe]:DEMod:THRShold:AUTO OFF ON 0 1	
[SENSe]:DEMod:THRShold:AUTO?	8-39
[SENSe]:FREQuency:CENTer <freq>	
[SENSe]:FREQuency:CENTer?	8-39
[SENSe]:FREQuency:START?	8-40
[SENSe]:FREQuency:STOP?	8-40
[SENSe]:OTA:RESet	8-40
[SENSe]:OTA:SCODE:AUTO OFF ON 0 1	
[SENSe]:OTA:SCODE:AUTO?	8-40
[SENSe]:OTA:SCODE:LOCK OFF ON 0 1	
[SENSe]:OTA:SCODE:LOCK?	8-41
[SENSe]:OTA:SCODE{1 2 3 4 5 6}<scrambling code>	
[SENSe]:OTA:SCODE{1 2 3 4 5 6}?	8-41
[SENSe]:OTA:SORT CODE POWER	
[SENSe]:OTA:SORT?	8-41
[SENSe]:PFail <test set>	
[SENSe]:PFail?	8-42
[SENSe]:POWER[:RF]:RANGe:AUTO OFF ON 0 1	
[SENSe]:POWER[:RF]:RANGe:AUTO?	8-42
[SENSe]:POWER[:RF]:RANGe[:IMMediate]	8-42
[SENSe]:RF:ACLR:ADJCchannelcount <num of channels>	
[SENSe]:RF:ACLR:ADJCchannelcount?	8-43
[SENSe]:RF:ACLR:MAINchannelcount <num of main channels>	
[SENSe]:RF:ACLR:MAINchannelcount?	8-43

Chapter 9—TDSCDMA Commands

:ABORT	9-1
:CONFigure:DEMod <char>	9-2

:CONFigure:OTA.....	9-2
:CONFigure:RF <char>	9-3
:DISPlay:WINDow:TRACe:Y[:SCALe]:OFFSet <rel ampl> :DISPlay:WINDow:TRACe:Y[:SCALe]:OFFSet?	9-4
:DISPlay:WINDow:TRACe:Y[:SCALe]:PDIVision <rel ampl> :DISPlay:WINDow:TRACe:Y[:SCALe]:PDIVision?	9-4
:FETCh:DEMod:CDPData?	9-5
:FETCh:DEMod:SUMMary?	9-5
:FETCh:OTA?	9-5
:FETCh:RF:EMISsion?	9-6
:FETCh:RF:SPECtrum?	9-6
:FETCh:RF:SUMMary?	9-6
:FORMat[:READings][:DATA] ASCii INTeger,32 REAL,32 :FORMat[:READings][:DATA]?	9-7
:INITiate:CONTInuous OFF ON 0 1 :INITiate:CONTInuous?	9-8
:INITiate[:IMMediate]	9-8
:MEASure:DEMod:CDPData?	9-9
:MEASure:DEMod:SUMMary?	9-10
:MEASure:OTA?	9-10
:MEASure:RF:EMISsion?	9-11
:MEASure:RF:SPECtrum?	9-11
:MEASure:RF:SUMMary?	9-12
:READ:DEMod:CDPData?	9-13
:READ:DEMod:SUMMary?	9-13
:READ:OTA?	9-14
:READ:RF:EMISsion?	9-14
:READ:RF:PVTSlot?	9-15
:READ:RF:SPECtrum?	9-16
:READ:RF:SUMMary?	9-16
:TRACe:PREamble? <trace type>	9-17
:TRACe[:DATA]? <trace type>	9-18
:TRIGger:SEQuence:SLOPe RISing FALLing :TRIGger:SEQuence:SLOPe?	9-19
:UNIT:POWer DBM W :UNIT:POWer?	9-20
[:SENSe]:DEMod:CDPData:UNITs RELative ABSolute [:SENSe]:DEMod:CDPData:UNITs?	9-21
[:SENSe]:DEMod:MODType Auto QPSK 8PSK 16QAM [:SENSe]:DEMod:MODType?	9-21
[:SENSe]:DEMod:MUSer Auto 2-16 (even) [:SENSe]:DEMod:MUSer?	9-21

[:SENSe]:DEMod:SCRamblingcode Auto 0-127	
[:SENSe]:DEMod:SCRamblingcode?	9-21
[:SENSe]:DEMod:SPRFactor Auto 16 1	
[:SENSe]:DEMod:SPRFactor?	9-22
[:SENSe]:DWPTs Auto On Off	
[:SENSe]:DWPTs?	9-22
[:SENSe]:FREQuency:CENTer <freq>	
[:SENSe]:FREQuency:CENTer?	9-22
[:SENSe]:FREQuency:SIGStandard <index>	
[:SENSe]:FREQuency:SIGStandard?	9-22
[:SENSe]:FREQuency:SIGStandard:CHANnel <number>	
[:SENSe]:FREQuency:SIGStandard:CHANnel?	9-23
[:SENSe]:NUMCarriers 1 3	
[:SENSe]:NUMCarriers?	9-23
[:SENSe]:PFail <test set>	
[:SENSe]:PFail?	9-23
[:SENSe]:POWer[:RF]:RANGe:AUTO OFF ON 0 1	
[:SENSe]:POWer[:RF]:RANGe:AUTO?	9-24
[:SENSe]:POWer[:RF]:RANGe[:IMMediate]	9-24
[:SENSe]:RF:SPECtrum:SPAN 5 10 20 30	
[:SENSe]:RF:SPECtrum:SPAN?	9-24
[:SENSe]:SLOTselection Auto 0-6	
[:SENSe]:SLOTselection?	9-24
[:SENSe]:SWEep:SPEEd FAST NORM SLOW	
[:SENSe]:SWEep:SPEEd?	9-25
[:SENSe]:SYDLcode Auto 0-31	
[:SENSe]:SYDLcode?	9-25
[:SENSe]:TAU:OFFSet <integer>	
[:SENSe]:TAU:OFFSet?	9-25
[:SENSe]:TRIGger NOTRig GPS EXT	
[:SENSe]:TRIGger?	9-25
[:SENSe]:ULSWitchpoint 0-6	
[:SENSe]:ULSWitchpoint?	9-26

Chapter 10—CDMA Commands

:ABORT	10-1
:CALCulate:MARKer:AOFF	10-2
:CALCulate:MARKer{1 2 3 4 5 6}:Y?	10-2
:CALCulate:MARKer{1 2 3 4 5 6}[:STATe] OFF ON 0 1	
:CALCulate:MARKer{1 2 3 4 5 6}[:STATe]?	10-2
:CONFigure SUMMery PFail	10-3
:CONFigure:DEMod <char>	10-3
:CONFigure:OTA <char>	10-3
:CONFigure:RF <char>	10-4
:DISPlay:WINDow:TRACe:Y[:SCALE]:OFFSet <rel ampl>	
:DISPlay:WINDow:TRACe:Y[:SCALE]:OFFSet?	10-5

:DISPlay:WINDow:TRACe:Y[:SCALe]:PDIVision <rel ampl>	
:DISPlay:WINDow:TRACe:Y[:SCALe]:PDIVision?	10-5
:FETCh:DEMod:CDPower?	10-6
:FETCh:OTA:MPATH?	10-6
:FETCh:PFail?	10-7
:FETCh:RF:ACPR?	10-7
:FETCh:RF:EMISsion?	10-7
:FETCh:RF:SPECTrum?	10-8
:FORMat[:READings][:DATA] ASCii INTeger,32 REAL,32	
:FORMat[:READings][:DATA]?	10-9
:INITiate:CONTInuous OFF ON 0 1	
:INITiate:CONTInuous?	10-10
:INITiate[:IMMediate]	10-10
:MEASure:DEMod:CDPower?	10-11
:MEASure:OTA:MPATH?	10-12
:MEASure:PFail?	10-12
:MEASure:RF:ACPR?	10-13
:MEASure:RF:EMISsion?	10-13
:MEASure:RF:SPECTrum?	10-14
:READ:DEMod:CDPower?	10-15
:READ:OTA:MPATH?	10-15
:READ:PFail?	10-16
:READ:RF:ACPR?	10-16
:READ:RF:EMISsion?	10-16
:READ:RF:SPECTrum?	10-17
:TRACe:PREamble? <trace type>	10-18
:TRACe[:DATA]? <trace type>	10-19
:TRIGger:SEQuence:SLOPe RISing FALLing	
:TRIGger:SEQuence:SLOPe?	10-20
:UNIT:POWer DBM W	
:UNIT:POWer?	10-21
[:SENSe]:ACPower:BANDwidth[:MAIN] <freq>	
[:SENSe]:ACPower:BANDwidth[:MAIN]?	10-22
[:SENSe]:DEMod:CDPower:UNITs RELative ABSolute	
[:SENSe]:DEMod:CDPower:UNITs?	10-22
[:SENSe]:DEMod:CDPower:ZOOM 16 32 64	
[:SENSe]:DEMod:CDPower:ZOOM?	10-22
[:SENSe]:DEMod:CDPower:ZOOM:STARt <integer>	
[:SENSe]:DEMod:CDPower:ZOOM:STARt?	10-23
[:SENSe]:FREQuency:CENTer <freq>	
[:SENSe]:FREQuency:CENTer?	10-23
[:SENSe]:FREQuency:SIGStandard <index>	
[:SENSe]:FREQuency:SIGStandard?	10-23

[SENSe]:FREQuency:SIGStandard:CHANnel <number>	
[SENSe]:FREQuency:SIGStandard:CHANnel?	10-24
[SENSe]:FREQuency:SPAN?	10-24
[SENSe]:PFail <test set>	
[SENSe]:PFail?	10-24
[SENSe]:PN:OFFSet <integer>	
[SENSe]:PN:OFFSet?	10-24
[SENSe]:PN:STYPe:AUTO 1 0 ON OFF	
[SENSe]:PN:STYPe:AUTO?	10-25
[SENSe]:PN:TRIGger NOTRig GPS EXT	
[SENSe]:PN:TRIGger?	10-25
[SENSe]:POWer[:RF]:RANGe:AUTO OFF ON 0 1	
[SENSe]:POWer[:RF]:RANGe:AUTO?	10-25
[SENSe]:POWer[:RF]:RANGe[:IMMediate]	10-26
[SENSe]:RF:ACPR:MAINchannelcount <integer>	
[SENSe]:RF:ACPR:MAINchannelcount?	10-26
[SENSe]:SWEp:SPEed FAST NORM SLOW	
[SENSe]:SWEp:SPEed?	10-26
[SENSe]:WCODe 64 128	
[SENSe]:WCODe?	10-26

Chapter 11—EVDO Commands

:ABORT	11-1
:CALCulate:MARKer:AOFF	11-2
:CALCulate:MARKer{1 2 3 4 5 6}:Y?	11-2
:CALCulate:MARKer{1 2 3 4 5 6}[:STATe] OFF ON 0 1	
:CALCulate:MARKer{1 2 3 4 5 6}[:STATe]?	11-2
:CONFigure SUMMery PFail	11-3
:CONFigure:DEMod <char>	11-3
:CONFigure:OTA <char>	11-3
:CONFigure:RF <char>	11-4
:DISPlay:WINDow:TRACe:Y[:SCALe]:OFFSet <rel ampl>	
:DISPlay:WINDow:TRACe:Y[:SCALe]:OFFSet?	11-5
:DISPlay:WINDow:TRACe:Y[:SCALe]:PDIVision <rel ampl>	
:DISPlay:WINDow:TRACe:Y[:SCALe]:PDIVision?	11-5
:FETCh:DEMod:CDPData?	11-6
:FETCh:DEMod:CDPMac?	11-6
:FETCh:DEMod:SUMMery?	11-6
:FETCh:OTA:MPATH?	11-7
:FETCh:PFail?	11-7
:FETCh:RF:ACPR?	11-7
:FETCh:RF:EMISSion?	11-8
:FETCh:RF:SPECTrum?	11-8
:FETCh:RF:SUMMery?	11-8

:FORMat[:READings][:DATA] ASCii INTeger,32 REAL,32	
:FORMat[:READings][:DATA]?	11-9
:INITiate:CONTInuous OFF ON 0 1	
:INITiate:CONTInuous?	11-10
:INITiate[:IMMEdiate]	11-10
:MEASure:DEMod:CDPData?	11-11
:MEASure:DEMod:CDPMac?	11-12
:MEASure:DEMod:SUMMary?	11-12
:MEASure:OTA:MPATH?	11-13
:MEASure:PFail?	11-13
:MEASure:RF:ACPR?	11-14
:MEASure:RF:EMISsion?	11-14
:MEASure:RF:SPECTrum?	11-15
:MEASure:RF:SUMMary?	11-15
:READ:OTA:MPATH?	11-16
:READ:PFail?	11-16
:READ:RF:ACPR?	11-17
:READ:RF:EMISsion?	11-17
:READ:RF:SPECTrum?	11-18
:READ:RF:SUMMary?	11-18
:TRACe:PREamble? <trace type>	11-19
:TRACe[:DATA]? <trace type>	11-20
:TRIGger:SEQuence:SLOPe RISing FALLing	
:TRIGger:SEQuence:SLOPe?	11-22
:UNIT:POWer DBM W	
:UNIT:POWer?	11-23
[[:SENSe]:ACPowEr:BANDwidth]:MAIN <freq>	
[[:SENSe]:ACPowEr:BANDwidth]:MAIN?	11-24
[[:SENSe]:DEMod:CDPower:UNITs RELative ABSolute	
[[:SENSe]:DEMod:CDPower:UNITs?	11-24
[[:SENSe]:DEMod:CDPower:ZOOM 16 32 64	
[[:SENSe]:DEMod:CDPower:ZOOM?	11-24
[[:SENSe]:DEMod:CDPower:ZOOM:STARt <integer>	
[[:SENSe]:DEMod:CDPower:ZOOM:STARt?	11-25
[[:SENSe]:FREQuency:CENTer <freq>	
[[:SENSe]:FREQuency:CENTer?	11-25
[[:SENSe]:FREQuency:SIGStandard <index>	
[[:SENSe]:FREQuency:SIGStandard?	11-25
[[:SENSe]:FREQuency:SIGStandard:CHANnel <number>	
[[:SENSe]:FREQuency:SIGStandard:CHANnel?	11-25
[[:SENSe]:FREQuency:SPAN?	11-26
[[:SENSe]:PFail <test set>	
[[:SENSe]:PFail?	11-26
[[:SENSe]:PN:OFFSet <integer>	

[SENSe]:PN:OFFSet?	11-26
[SENSe]:PN:STYPe:AUTO 1 0 ON OFF	
[SENSe]:PN:STYPe:AUTO?	11-27
[SENSe]:PN:TRIGger NOTRig GPS EXT	
[SENSe]:PN:TRIGger?	11-27
[SENSe]:POWER[:RF]:RANGe:AUTO OFF ON 0 1	
[SENSe]:POWER[:RF]:RANGe:AUTO?	11-27
[SENSe]:POWER[:RF]:RANGe[:IMMEDIATE]	11-28
[SENSe]:RF:ACPR:MAINchannelcount <integer>	
[SENSe]:RF:ACPR:MAINchannelcount?	11-28
[SENSe]:SWEep:SPEed FAST NORM SLOW	
[SENSe]:SWEep:SPEed?	11-28
[SENSe]:WCODe 64 128	
[SENSe]:WCODe?	11-28

Chapter 12—Fixed WiMAX Commands

:ABORT	12-1
:CONFigure SUMMary	12-2
:CONFigure:DEMod <char>	12-2
:CONFigure PFail	12-3
:CONFigure:RF <char>	12-3
:DISPlay:WINDow:TRACe:MAXHold OFF ON 0 1	
:DISPlay:WINDow:TRACe:MAXHold?	12-4
:DISPlay:WINDow:TRACe:Y[:SCALe]:OFFSet <rel ampl>	
:DISPlay:WINDow:TRACe:Y[:SCALe]:OFFSet?	12-4
:DISPlay:WINDow:TRACe:Y[:SCALe]:PDIVision <value>	
:DISPlay:WINDow:TRACe:Y[:SCALe]:PDIVision?	12-4
:DISPlay:WINDow:TRACe:Y[:SCALe]:TOP <amplitude>	
:DISPlay:WINDow:TRACe:Y[:SCALe]:TOP?	12-5
:FETCh:DEMod:CONStIn?	12-6
:FETCh:DEMod:EVSCarrier?	12-6
:FETCh:DEMod:EVSYmbol?	12-6
:FETCh:DEMod:SFLatness?	12-6
:FETCh:PFail?	12-7
:FETCh:RF:ACPR?	12-7
:FETCh:RF:PVTime?	12-7
:FETCh:RF:SPECTrum?	12-8
:FORMat[:READings][:DATA] ASCii INTEger,32 REAL,32	
:FORMat[:READings][:DATA]?	12-9
:INITiate:CONTInuous OFF ON 0 1	
:INITiate:CONTInuous?	12-10
:INITiate[:IMMEDIATE]	12-10
:MEASure:DEMod:CONStIn?	12-11
:MEASure:DEMod:EVSCarrier?	12-11

:MEASure:DEMod:EVSYmbol?	12-12
:MEASure:DEMod:SFLatness?.....	12-12
:MEASure:PFail?.....	12-12
:MEASure:RF:ACPR?	12-13
:MEASure:RF:PVTime?	12-13
:MEASure:RF:SPECTrum?	12-14
:READ:DEMod:CONStIn?	12-15
:READ:DEMod:EVSCarrier?	12-15
:READ:DEMod:EVSYmbol?.....	12-15
:READ:DEMod:SFLatness?	12-16
:READ:PFail?.....	12-16
:READ:RF:ACPR?	12-16
:READ:RF:PVTime?.....	12-17
:READ:RF:SPECTrum?	12-17
:TRACe:PREamble? <trace type>	12-18
:TRACe[:DATA]? <trace type>	12-18
[[:SENSe]:BANDwidth BWIDth[:RESolution] <index> [:SENSe]:BANDwidth BWIDth[:RESolution]?.....	12-19
[[:SENSe]:CPRatio <index> [:SENSe]:CPRatio?	12-19
[[:SENSe]:DEMod:CONStIn:POINts?.....	12-19
[[:SENSe]:DEMod:CONStIn:REFPoints[:STATe] OFF ON 0 1 [:SENSe]:DEMod:CONStIn:REFPoints[:STATe]?.....	12-19
[[:SENSe]:DEMod:EVSCarrier:STARt:X?	12-20
[[:SENSe]:DEMod:EVSCarrier:STOP:X?	12-20
[[:SENSe]:DEMod:EVSYmbol:STARt:X?	12-20
[[:SENSe]:DEMod:EVSYmbol:STOP:X?	12-20
[[:SENSe]:DEMod:SFLatness:STARt:X?	12-20
[[:SENSe]:DEMod:SFLatness:STOP:X?	12-20
[[:SENSe]:DLFLength 2.5 5 10 [:SENSe]:DLFLength?.....	12-20
[[:SENSe]:FREQuency:CENTer <freq> [:SENSe]:FREQuency:CENTer?	12-21
[[:SENSe]:FREQuency:SIGStandard <index> [:SENSe]:FREQuency:SIGStandard?	12-21
[[:SENSe]:FREQuency:SIGStandard:CHANnel <number> [:SENSe]:FREQuency:SIGStandard:CHANnel?	12-21
[[:SENSe]:PFail <test set> [:SENSe]:PFail?	12-21
[[:SENSe]:POWER[:RF]:RANGe:AUTO OFF ON 0 1 [:SENSe]:POWER[:RF]:RANGe:AUTO?	12-22
[[:SENSe]:POWER[:RF]:RANGe[:IMMEDIATE].....	12-22

[SENSE]:RF:ACPR:ADJChannelcount?	12-22
[SENSE]:RF:ACPR:MAINchannelcount?	12-22
[SENSE]:RF:PVTime:FRAME:START?	12-23
[SENSE]:RF:PVTime:FRAME:STOP?	12-23
[SENSE]:RF:SPECTrum:SPAN 5 10 20 30	
[SENSE]:RF:SPECTrum:SPAN?	12-23

Chapter 13—Mobile WiMAX Commands

:ABORT	13-1
:CONFigure PFail	13-2
:CONFigure SUMMary	13-2
:CONFigure:DEMod <char>	13-3
:CONFigure:RF <char>	13-3
:DISPlay:WINDow:TRACe:MAXHold OFF ON 0 1	
:DISPlay:WINDow:TRACe:MAXHold?	13-4
:DISPlay:WINDow:TRACe:Y[:SCALe]:OFFSet <rel ampl>	
:DISPlay:WINDow:TRACe:Y[:SCALe]:OFFSet?	13-4
:DISPlay:WINDow:TRACe:Y[:SCALe]:PDIVision <value>	
:DISPlay:WINDow:TRACe:Y[:SCALe]:PDIVision?	13-4
:DISPlay:WINDow:TRACe:Y[:SCALe]:TOP <amplitude>	
:DISPlay:WINDow:TRACe:Y[:SCALe]:TOP?	13-5
:FETCh:DEMod:CONStIn?	13-6
:FETCh:DEMod:EVSCarrier?	13-6
:FETCh:DEMod:EVSYmbol?	13-6
:FETCh:DEMod:SFLatness?	13-6
:FETCh:PFail?	13-7
:FETCh:RF:ACPR?	13-7
:FETCh:RF:PVTime?	13-7
:FETCh:RF:SPECTrum?	13-8
:FORMat[:READings][:DATA] ASCii INTEger,32 REAL,32	
:FORMat[:READings][:DATA]?	13-9
:INITiate:CONTInuous OFF ON 0 1	
:INITiate:CONTInuous?	13-10
:INITiate[:IMMediate]	13-10
:MEASure:DEMod:CONStIn?	13-11
:MEASure:DEMod:EVSCarrier?	13-11
:MEASure:DEMod:EVSYmbol?	13-12
:MEASure:DEMod:SFLatness?	13-12
:MEASure:PFail?	13-12
:MEASure:RF:ACPR?	13-13
:MEASure:RF:PVTime?	13-13
:MEASure:RF:SPECTrum?	13-14

:READ:DEMod:CONStIn?	13-15
:READ:DEMod:EVSCarrier?	13-15
:READ:DEMod:EVSYmbol?	13-15
:READ:DEMod:SFLatness?	13-16
:READ:PFail?	13-16
:READ:RF:ACPR?	13-16
:READ:RF:PVTime?	13-16
:READ:RF:SPECtrum?	13-17
:TRACe:PREamble? <trace type>	13-18
:TRACe[:DATA]? <trace type>	13-18
[[:SENSe]:BANDwidth BWIDth[:RESolution] <index> [:SENSe]:BANDwidth BWIDth[:RESolution]?]	13-19
[[:SENSe]:CPRatio <index> [:SENSe]:CPRatio?]	13-19
[[:SENSe]:DEMod:CONStIn:REFPoiNts[:STATe] OFF ON 0 1 [:SENSe]:DEMod:CONStIn:REFPoiNts[:STATe]?]	13-19
[[:SENSe]:FREQuency:CENTer <freq> [:SENSe]:FREQuency:CENTer?]	13-20
[[:SENSe]:FREQuency:SIGStandard <index> [:SENSe]:FREQuency:SIGStandard?]	13-20
[[:SENSe]:FREQuency:SIGStandard:CHANnel <number> [:SENSe]:FREQuency:SIGStandard:CHANnel?]	13-20
[[:SENSe]:PFail <test set> [:SENSe]:PFail?]	13-21
[[:SENSe]:POWer[:RF]:RANGe:AUTO OFF ON 0 1 [:SENSe]:POWer[:RF]:RANGe:AUTO?]	13-21
[[:SENSe]:POWer[:RF]:RANGe[:IMMEdiate].]	13-21
[[:SENSe]:RF:SPECtrum:SPAN 5 10 20 30 [:SENSe]:RF:SPECtrum:SPAN?]	13-22

Chapter 14—LTE Commands

:ABORT	14-1
:CALCulate:MARKer:AOFF	14-2
:CALCulate:MARKer1:DELTA:X <x1 parameter> :CALCulate:MARKer1:DELTA:X?	14-2
:CALCulate:MARKer1:DELTA:Y?	14-2
:CALCulate:MARKer1:MAXimum	14-2
:CALCulate:MARKer1:STATe OFF ON DELTA :CALCulate:MARKer1:STATe?	14-2
:CALCulate:MARKer1:X <x-parameter> :CALCulate:MARKer1:X?	14-3
:CALCulate:MARKer1:Y?	14-3
:CALCulate:MARKer2:DELTA:X <x1 parameter> :CALCulate:MARKer2:DELTA:X?	14-3

:CALCulate:MARKer2:DELTA:Y?	14-3
:CALCulate:MARKer2:MAXimum	14-3
:CALCulate:MARKer2:STATe OFF ON DELta	
:CALCulate:MARKer2:STATe?	14-4
:CALCulate:MARKer2:X <x-parameter>	
:CALCulate:MARKer2:X?	14-4
:CALCulate:MARKer2:Y?	14-4
:CONFigure?	14-5
:CONFigure SUMMary	14-5
:CONFigure:DEMod SUMMary CONSTIn CCPGraph CCPTable	14-6
:CONFigure:OTA SCANner TXTEst MAPping	14-6
:CONFigure:RF SUMMary SPECtrum ACLR SEM	14-6
:DISPlay:WINDow:TRACe:Y[:SCALE]:OFFSet <rel ampl>	
:DISPlay:WINDow:TRACe:Y[:SCALE]:OFFSet?	14-7
:DISPlay:WINDow:TRACe:Y[:SCALE]:PDIVision <rel ampl>	
:DISPlay:WINDow:TRACe:Y[:SCALE]:PDIVision?	14-7
:FETCh:DEMod:CCPData?	14-8
:FETCh:DEMod:CONSTIn?	14-8
:FETCh:OTA:MAPping?	14-8
:FETCh:OTA:SCANner?	14-9
:FETCh:OTA:TXTEst?	14-9
:FETCh:RF:ACLR?	14-9
:FETCh:RF:SEM?	14-9
:FETCh:RF:SPECtrum?	14-9
:FETCh:SUMMary?	14-10
:FORMat[:READings][:DATA] ASCii INTEger,32 REAL,32	
:FORMat[:READings][:DATA]?	14-11
:INITiate:CONTInuous OFF ON 0 1	
:INITiate:CONTInuous?	14-12
:INITiate[:IMMEDIATE]	14-12
:MEASure:DEMod:AVErage?	14-13
:MEASure:DEMod:CCPData?	14-13
:MEASure:DEMod:CONSTIn?	14-14
:MEASure:OTA:MAPping?	14-14
:MEASure:OTA:MAPping:RUN START STOP	
:MEASure:OTA:MAPping:RUN?	14-14
:MEASure:OTA:SCANner?	14-14
:MEASure:OTA:TXTEst?	14-15
:MEASure:RF:ACLR?	14-15
:MEASure:RF:SEM?	14-15
:MEASure:RF:SPECtrum?	14-15
:READ:DEMod:CONSTIn?	14-16

:READ:OTA:MAPping?	14-16
:READ:OTA:SCANner?	14-16
:READ:OTA:TXTEst?	14-17
:READ:PFail?	14-17
:READ:RF:ACLR?	14-17
:READ:RF:SEM?	14-17
:READ:RF:SPECtrum?	14-18
:UNIT:POWer DBM W	
:UNIT:POWer?	14-19
[[:SENSe]:AVErage:FERRor:COUNt n	
[[:SENSe]:AVErage:FERRor:COUNt?	14-20
[[:SENSe]:AVErage:FERRor:RESet	14-20
[[:SENSe]:BANDWidth[:RESolution] 1.4 3 5 10 15 20	
[[:SENSe]:BANDWidth[:RESolution]?	14-20
[[:SENSe]:CELLID <char>	
[[:SENSe]:CELLID?	14-20
[[:SENSe]:EVM?	14-21
[[:SENSe]:EVM:MAXHold ON OFF	
[[:SENSe]:EVM:MAXHold?	14-21
[[:SENSe]:EVM:MODE AUTO PBCHonly	
[[:SENSe]:EVM:MODE?	14-21
[[:SENSe]:EVM:RESet	14-21
[[:SENSe]:FREQuency:CENTer <freq>	
[[:SENSe]:FREQuency:CENTer?	14-21
[[:SENSe]:FREQuency:SIGStandard:CHANnel <number>	
[[:SENSe]:FREQuency:SIGStandard:CHANnel?	14-22
[[:SENSe]:FREQuency:SIGStandard:NAME [String]	
[[:SENSe]:FREQuency:SIGStandard:NAME?	14-22
[[:SENSe][[:OTA]:MAPping:MEASurement SSSPower RSRP RSRQ SINR	
[[:SENSe][[:OTA]:MAPping:MEASurement?	14-23
[[:SENSe][[:OTA]:MAPping:SSSPower:THREShold "xx.x,xx.x,xx.x,xx.x,xx.x"	
[[:SENSe][[:OTA]:MAPping:SSSPower:THREShold?	14-24
[[:SENSe][[:OTA]:MAPping:RSRP:THREShold "xx.x,xx.x,xx.x,xx.x,xx.x"	
[[:SENSe][[:OTA]:MAPping:RSRP:THREShold?	14-24
[[:SENSe][[:OTA]:MAPping:RSRQ:THREShold "xx.x,xx.x,xx.x,xx.x,xx.x"	
[[:SENSe][[:OTA]:MAPping:RSRQ:THREShold?	14-24
[[:SENSe][[:OTA]:MAPping:SINR:THREShold "xx.x,xx.x,xx.x,xx.x,xx.x"	
[[:SENSe][[:OTA]:MAPping:SINR:THREShold?	14-24
[[:SENSe][[:OTA]:MAPping:POInts:DELeTe	14-24
[[:SENSe][[:OTA]:MAPping:RECAll:MAP <filename>	14-24
[[:SENSe][[:OTA]:MAPping:RECAll:MAP:DEFAult	14-25
[[:SENSe][[:OTA]:MAPping:REPeat:TYPE: TIME DISTance	
[[:SENSe][[:OTA]:MAPping:REPeat:TYPE?	14-25
[[:SENSe][[:OTA]:MAPping:REPeat:TIME <seconds>	

[:SENSe]::OTA]:MAPping:REPeat:TIME?	14-25
[:SENSe]::OTA]:MAPping:REPeat:DIStance <meters>	
[:SENSe]::OTA]:MAPping:REPeat:DIStance?	14-25
[:SENSe]::OTA]:MAPping:SAVe:KML "<filename>"	14-25
[:SENSe]::OTA]:MAPping:SAVe:TEXT "<filename>"	14-25
[:SENSe]::OTA]:SORTby CELLid GROUpid SECTorid SSSPower RSRP RSRQ SINR	
[:SENSe]::OTA]:SORTby?	14-26
[:SENSe]::POWer[:RF]:RANGe[:IMMediate]	14-26
[:SENSe]::POWer[:RF]:RANGe:AUTO <Boolean (default=1 [ON])>	
[:SENSe]::POWer[:RF]:RANGe:AUTO?	14-26
[:SENSe]::RF:SPECtrum:SPAN Auto 1.4 3 5 10 15 20 30	
[:SENSe]::RF:SPECtrum:SPAN?	14-26
[:SENSe]::SYNC:TYPE SS RS	
[:SENSe]::SYNC:TYPE?	14-27

Chapter 15—TD-LTE Commands

:ABOrt	15-1
:CALCulate:MARKer:AOff	15-2
:CALCulate:MARKer1:DELTA:X <x1 parameter>,<x2 parameter>	
:CALCulate:MARKer1:DELTA:X?	15-2
:CALCulate:MARKer1:DELTA:Y?	15-2
:CALCulate:MARKer1:MAXimum	15-2
:CALCulate:MARKer1:STATe OFF ON DELTA	
:CALCulate:MARKer1:STATe?	15-3
:CALCulate:MARKer1:X <x1 parameter>,<x2 parameter>	
:CALCulate:MARKer1:X?	15-3
:CALCulate:MARKer1:Y?	15-3
:CALCulate:MARKer2:DELTA:X <x1 parameter>,<x2 parameter>	
:CALCulate:MARKer2:DELTA:X?	15-4
:CALCulate:MARKer2:DELTA:Y?	15-4
:CALCulate:MARKer2:MAXimum	15-4
:CALCulate:MARKer2:STATe OFF ON DELTA	
:CALCulate:MARKer2:STATe?	15-4
:CALCulate:MARKer2:X <x1 parameter>,<x2 parameter>	
:CALCulate:MARKer2:X?	15-5
:CALCulate:MARKer2:Y?	15-5
:CONFigure SUMMary	15-6
:CONFigure?	15-6
:CONFigure:DEMod SUMMary CONStIn CCPGraph CCPTable	15-7
:CONFigure:OTA SCANner TXTEst MAPping	15-7
:CONFigure:RF SUMMary SPECtrum ACLR SEM PVTime	15-7
:CONFigure:RF:PVTime FRAME SUBFrame	15-8
:DISPlay:WINDow:TRACe:Y[:SCALe]:OFFSet <rel amp >	
:DISPlay:WINDow:TRACe:Y[:SCALe]:OFFSet?	15-9

:DISPlay:WINDow:TRACe:Y[:SCALe]:PDIVision <rel ampl>	
:DISPlay:WINDow:TRACe:Y[:SCALe]:PDIVision?	15-9
:FETCh:DEMod:CCPData?	15-10
:FETCh:DEMod:CONStIn?	15-10
:FETCh:OTA:MAPping?	15-10
:FETCh:OTA:SCANner?	15-10
:FETCh:OTA:TXTEst?	15-11
:FETCh:RF:ACLR?	15-11
:FETCh:RF:PVTime?	15-11
:FETCh:RF:SEM?	15-11
:FETCh:RF:SPECTrum?	15-11
:FETCh:SUMMary?	15-12
:FORMat[:READings][:DATA] ASCii INTeger,32 REAL,32	
:FORMat[:READings][:DATA]?	15-13
:INITiate:CONTInuous OFF ON 0 1	
:INITiate:CONTInuous?	15-14
:INITiate[:IMMEDIATE]	15-14
:MEASure:DEMod:AVErage?	15-15
:MEASure:DEMod:CCPData?	15-15
:MEASure:DEMod:CONStIn?	15-16
:MEASure:OTA:MAPping?	15-16
:MEASure:OTA:MAPping:RUN START STOP	
:MEASure:OTA:MAPping:RUN?	15-16
:MEASure:OTA:SCANner?	15-16
:MEASure:OTA:TXTEst?	15-17
:MEASure:RF:ACLR?	15-17
:MEASure:RF:PVTime?	15-17
:MEASure:RF:SEM?	15-17
:MEASure:RF:SPECTrum?	15-17
:READ:DEMod:CONStIn?	15-18
:READ:OTA:MAPping?	15-18
:READ:OTA:SCANner?	15-18
:READ:OTA:TXTEst?	15-19
:READ:PFail?	15-19
:READ:RF:ACLR?	15-19
:READ:RF:PVTime?	15-20
:READ:RF:SEM?	15-20
:READ:RF:SPECTrum?	15-20
:TRIGger:SEQuence:SLOPe RISing FALLing	
:TRIGger:SEQuence:SLOPe?	15-21
:UNIT:POWer DBM W	
:UNIT:POWer?	15-22

[SENSe]:AVERage:FERRor:COUNT n	
[SENSe]:AVERage:FERRor:COUNT?	15-23
[SENSe]:AVERage:FERRor:RESet	15-23
[SENSe]:BANDWidth[:RESolution] 1.4 3 5 10 15 20	
[SENSe]:BANDWidth[:RESolution]?	15-23
[SENSe]:EVM?	15-23
[SENSe]:EVM:MAXHold ON OFF	
[SENSe]:EVM:MAXHold?	15-24
[SENSe]:EVM:MODE AUTO PBCHonly	
[SENSe]:EVM:MODE?	15-24
[SENSe]:EVM:RESet	15-24
[SENSe]:FREQuency:CENTer <freq>	
[SENSe]:FREQuency:CENTer?	15-24
[SENSe]:FREQuency:SIGStandard:CHANnel <number>	
[SENSe]:FREQuency:SIGStandard:CHANnel?	15-24
[SENSe]:FREQuency:SIGStandard:NAME [String]	
[SENSe]:FREQuency:SIGStandard:NAME?	15-25
[SENSe][:OTA]:MAPping:MEASurement SSSPower RSRP RSRQ SINR	
[SENSe][:OTA]:MAPping:MEASurement?	15-26
[SENSe][:OTA]:MAPping:SSSPower:THREShold "xx.x,xx.x,xx.x,xx.x,xx.x"	
[SENSe][:OTA]:MAPping:SSSPower:THREShold?	15-27
[SENSe][:OTA]:MAPping:RSRP:THREShold "xx.x,xx.x,xx.x,xx.x,xx.x"	
[SENSe][:OTA]:MAPping:RSRP:THREShold?	15-27
[SENSe][:OTA]:MAPping:RSRQ:THREShold "xx.x,xx.x,xx.x,xx.x,xx.x"	
[SENSe][:OTA]:MAPping:RSRQ:THREShold?	15-27
[SENSe][:OTA]:MAPping:SINR:THREShold "xx.x,xx.x,xx.x,xx.x,xx.x"	
[SENSe][:OTA]:MAPping:SINR:THREShold?	15-27
[SENSe][:OTA]:MAPping:POInts:DELeTe	15-27
[SENSe][:OTA]:MAPping:RECAIl:MAP <filename>	15-27
[SENSe][:OTA]:MAPping:RECAIl:MAP:DEFAUlt	15-28
[SENSe][:OTA]:MAPping:REPeat:TYPE: TIME DISTance	
[SENSe][:OTA]:MAPping:REPeat:TYPE?	15-28
[SENSe][:OTA]:MAPping:REPeat:TIME <seconds>	
[SENSe][:OTA]:MAPping:REPeat:TIME?	15-28
[SENSe][:OTA]:MAPping:REPeat:DISTance <meters>	
[SENSe][:OTA]:MAPping:REPeat:DISTance?	15-28
[SENSe][:OTA]:MAPping:SAVe:KML "<filename>"	15-28
[SENSe][:OTA]:MAPping:SAVe:TEXT "<filename>"	15-28
[SENSe][:OTA]:SORTby CELLid GROUpid SECTorid SSSPower RSRP RSRQ SINR	
[SENSe][:OTA]:SORTby?	15-29
[SENSe]:POWer[:RF]:RANGe[:IMMEdiate]	15-29
[SENSe]:POWer[:RF]:RANGe:AUTO {Boolean (default=1 [ON])}	
[SENSe]:POWer[:RF]:RANGe:AUTO?	15-29
[SENSe]:RF:SPECtrum:SPAN Auto 1.4 3 5 10 15 20 30	
[SENSe]:RF:SPECtrum:SPAN?	15-29

[:SENSe]:SUBFrame <Sub-frame number 0-9>	
[:SENSe]:SUBFrame?	15-30
[:SENSe]:TRIGger NOTRIGger EXTernal	
[:SENSe]:TRIGger?	15-30

Anritsu



Printed on Recycled Paper with Vegetable Soybean Oil Ink

Anritsu Company
490 Jarvis Drive
Morgan Hill, CA 95037-2809
USA
<http://www.anritsu.com>